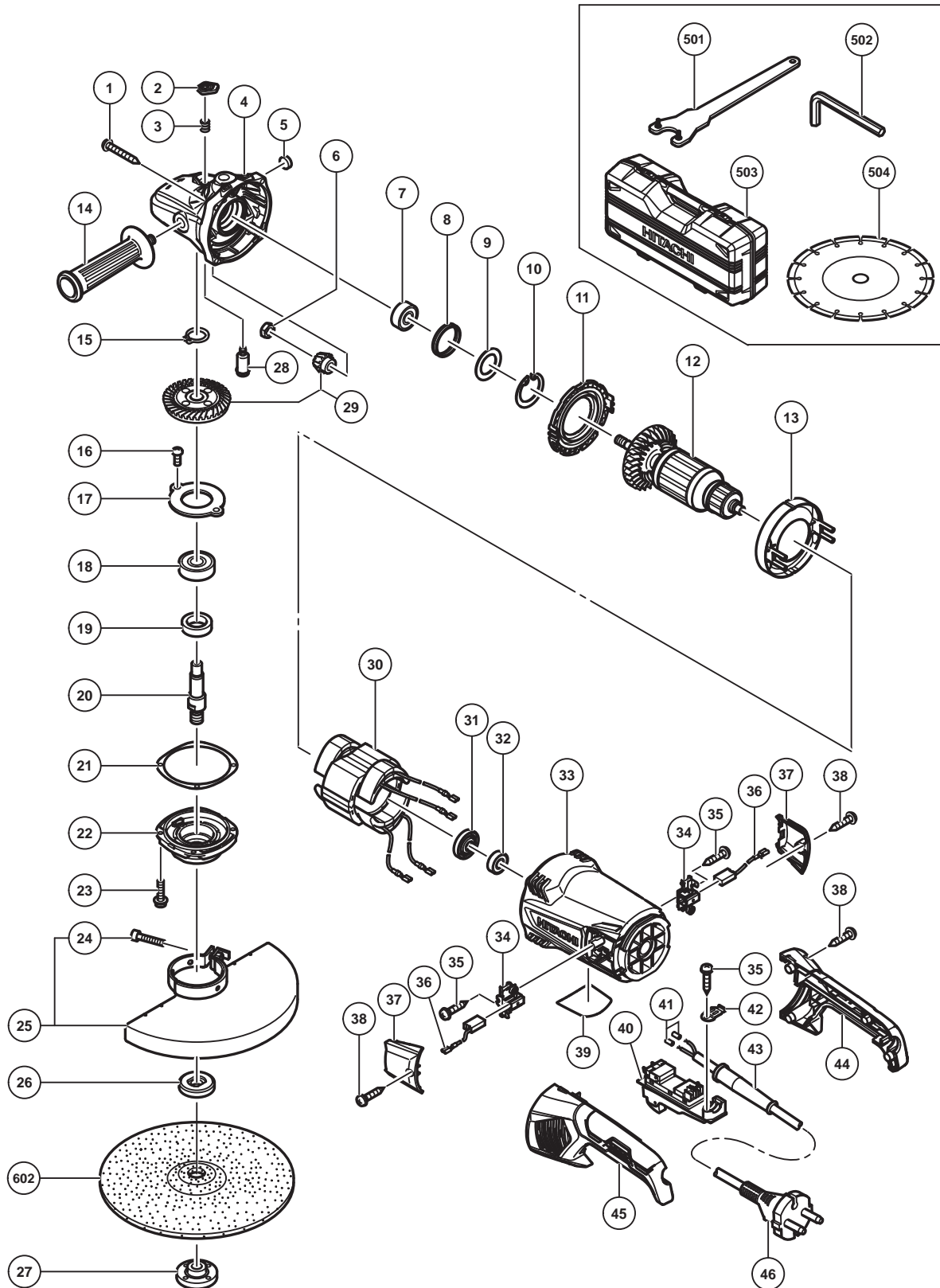


ELECTRIC TOOL PARTS LIST

■ DISC GRINDER
Model G 23SW2

2014.12.11

(E1)



PARTS

G 23SW2

| ITEM NO. | CODE NO. | DESCRIPTION | NO. USED | REMARKS | |
|----------|----------|--|--|----------------------|--------------------------|
| 1 | 323209 | TAPPING SCREW (W/FLANGE) D5 X 35 (BLACK) | 4 | | |
| 2 | 337641 | PUSHING BUTTON | 1 | | |
| 3 | 320219 | SPRING | 1 | | |
| 4 | 337650 | GEAR COVER ASS'Y | 1 | INCLUD.2,3,5,7-10,28 | |
| 5 | 937033 | FELT WASHER | 1 | | |
| 6 | 320226 | SPECIAL NUT M10 | 1 | | |
| 7 | 6301VV | BALL BEARING 6301VVCMP2L | 1 | | |
| 8 | 330031 | RUBBER RING | 1 | | |
| 9 | 337642 | WASHER | 1 | | |
| 10 | 948391 | RETAINING RING FOR D40 HOLE | 1 | | |
| 11 | 337640 | FAN GUIDE (B) | 1 | | |
| * | 12 | 360982C | ARMATURE 110V | 1 | |
| * | 12 | 360982D | ARMATURE 120V-127V | 1 | |
| * | 12 | 360982E | ARMATURE 220V-230V | 1 | |
| * | 12 | 360982F | ARMATURE 240V | 1 | |
| 13 | 337639 | FAN GUIDE (A) | 1 | | |
| 14 | 937981 | SIDE HANDLE FOR M14 | 1 | | |
| 15 | 939542 | RETAINING RING FOR D12 SHAFT (10 PCS.) | 1 | | |
| 16 | 949236 | MACHINE SCREW M5 X 10 (10 PCS.) | 2 | | |
| 17 | 320229 | BEARING COVER (B) | 1 | | |
| 18 | 6302VV | BALL BEARING 6302VVCMP2L | 1 | | |
| 19 | 990852 | FELT PACKING (B) | 1 | | |
| * | 20 | 320234 | SPINDLE | 1 | |
| * | 20 | 321541 | SPINDLE | 1 | FOR PAN (120V) |
| 21 | 320228 | SEAL PLATE | 1 | | |
| 22 | 320227 | PACKING GLAND | 1 | | |
| 23 | 994192 | HEX. SOCKET HD. BOLT (W/FLANGE) M5 X 16 | 4 | | |
| 24 | 949760 | HEX. SOCKET HD. BOLT M8 X 25 (10 PCS.) | 1 | | |
| * | 25 | 338292 | WHEEL GUARD ASS'Y | 1 | INCLUD.24 |
| * | 25 | 338294 | WHEEL GUARD ASS'Y | 1 | INCLUD.24 FOR PAN (120V) |
| 26 | 937907Z | WHEEL WASHER (C) | 1 | | |
| * | 27 | 937909Z | WHEEL NUT M14 X 2 | 1 | |
| * | 27 | 937923P | WHEEL NUT 5/8"-11UNC | 1 | FOR PAN (120V) |
| 28 | 306890 | LOCK PIN | 1 | | |
| 29 | 330688 | GEAR AND PINION SET | 1 | | |
| * | 30 | 340888C | STATOR 110V | 1 | |
| * | 30 | 340888D | STATOR 120V-127V | 1 | |
| * | 30 | 340888E | STATOR 220V-230V | 1 | |
| * | 30 | 340888F | STATOR 240V | 1 | |
| 31 | 330029 | DUST SEAL | 1 | | |
| 32 | 6000VV | BALL BEARING 6000VVCMP2L | 1 | | |
| 33 | 337643 | HOUSING | 1 | | |
| 34 | 337646 | BRUSH HOLDER | 2 | | |
| 35 | 984750 | TAPPING SCREW (W/FLANGE) D4 X 16 | 3 | | |
| * | 36 | 999059 | CARBON BRUSH (1 PAIR) | 2 | |
| * | 36 | 999059 | CARBON BRUSH (1 PAIR) | 1 | FOR BRA,CHN |
| * | 36 | 999093 | CARBON BRUSH (AUTO STOP TYPE) (1 PAIR) | 1 | FOR BRA,CHN |
| 37 | 337649 | BRUSH COVER | 2 | | |
| 38 | 305812 | TAPPING SCREW (W/FLANGE) D4 X 16 (BLACK) | 6 | | |
| 39 | | NAME PLATE | 1 | | |

