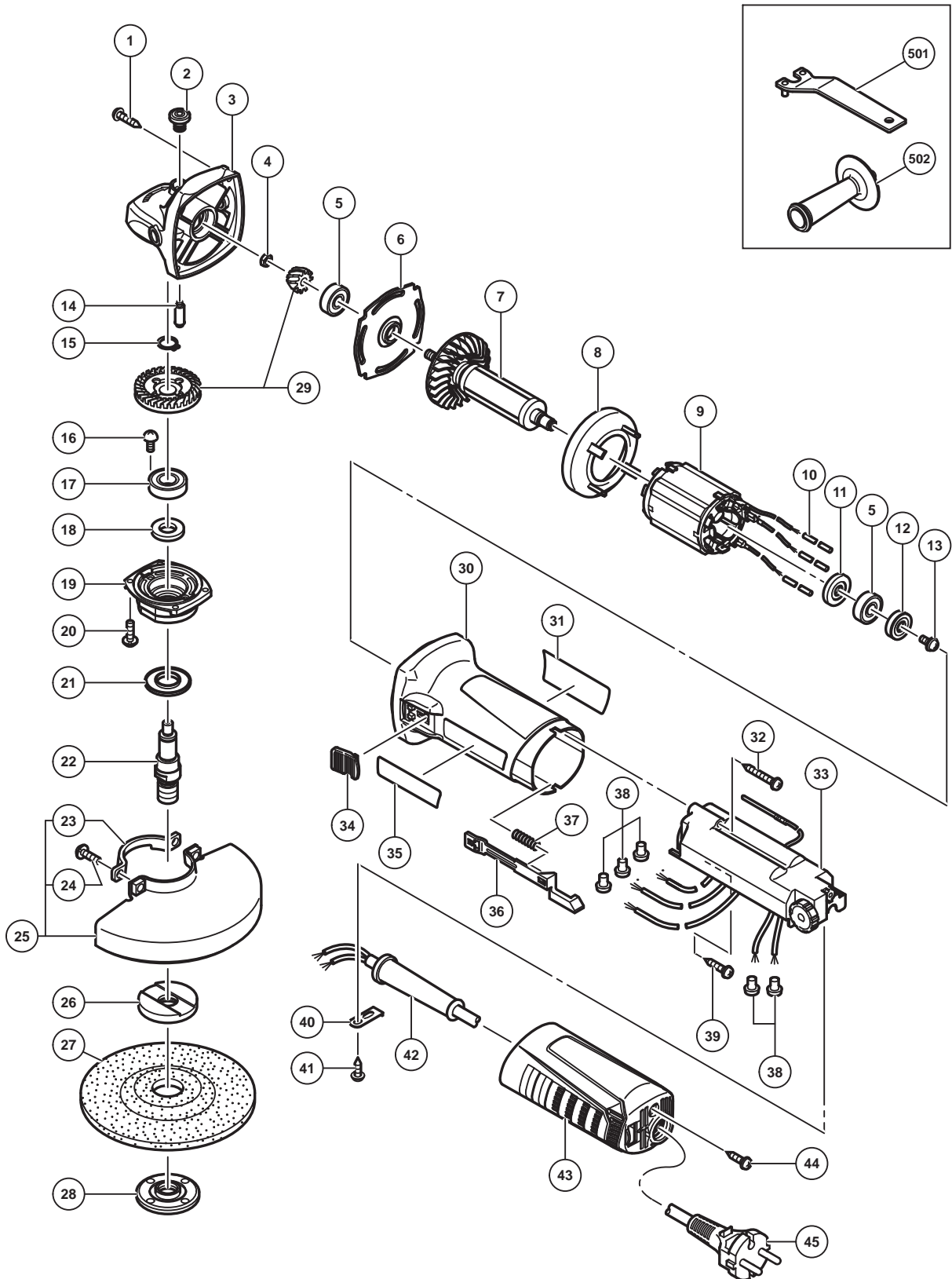


ELECTRIC TOOL PARTS LIST

■ ELECTRONIC DISC GRINDER Model G 13VE

2015-7-9
(E1)



PARTS

G 13VE

ITEM NO.	CODE NO.	DESCRIPTION	NO. USED	REMARKS
1	328643	TAPPING SCREW (W/FLANGE) D4 X 23 (BLACK)	4	
2	301944	PUSHING BUTTON	1	
3	338332	GEAR COVER ASS'Y	1	INCLUD.2,14
4	309191	SPECIAL NUT M6	1	
5	338337	BALL BEARING 608S	2	
6	334940	BEARING HOLDER	1	
7	360995	ROTOR	1	
8	338346	FAN GUIDE	1	
9	340917C	STATOR 230V	1	
10	339346	TUBE	3	
11	338336	DUST SEAL	1	
12	339344	SENSOR MAGNET	1	
13	338341	SEAL LOCK SCREW (W/WASHER) M3 X 5	1	
14	301943	LOCK PIN	1	
15	939542	RETAINING RING FOR D12 SHAFT (10 PCS.)	1	
16	334942	SLOTTED HD. SCREW (SEAL LOCK) M4	2	
17	6001VV	BALL BEARING 6001VV	1	
18	301946	FELT PACKING	1	
19	334938	PACKING GLAND	1	
20	307127	SEAL LOCK SCREW (W/SP. WASHER) M4 X 12	4	
21	301945	FRINGER	1	
22	339144	SPINDLE	1	
23	301949	SET PLATE	1	
24	338868	SLOTTED PLUS SCREW M5	2	
25	331766	WHEEL GUARD ASS'Y	1	INCLUD.23,24
26	937817Z	WHEEL WASHER	1	
27	316822	D. C. WHEELS 125MM A36Q (25 PCS.)	1	
28	337329	WHEEL NUT M14	1	
29	338338	GEAR AND PINION SET	1	
30	338329	HOUSING	1	
31		NAME PLATE	1	
32	306664	TAPPING SCREW (W/FLANGE) D4 X 40 (BLACK)	1	
33	339143	CONTROLLER 230V	1	
34	338854	SLIDE SWITCH KNOB	1	
35		HITACHI LABEL	1	
36	339345	SLIDE BAR	1	
37	314429	SPRING	1	
38	959140	CONNECTOR 50091 (10 PCS.)	5	
39	301653	TAPPING SCREW (W/FLANGE) D4 X 20 (BLACK)	1	
40	338334	CORD CLIP	1	
41	305720	TAPPING SCREW (W/FLANGE) D4 X 12	1	
42	953327	CORD ARMOR D8.8	1	
43	339142	TAIL COVER	1	
44	307811	TAPPING SCREW (W/FLANGE) D4 X 16 (BLACK)	1	
45	500247Z	CORD	1	

