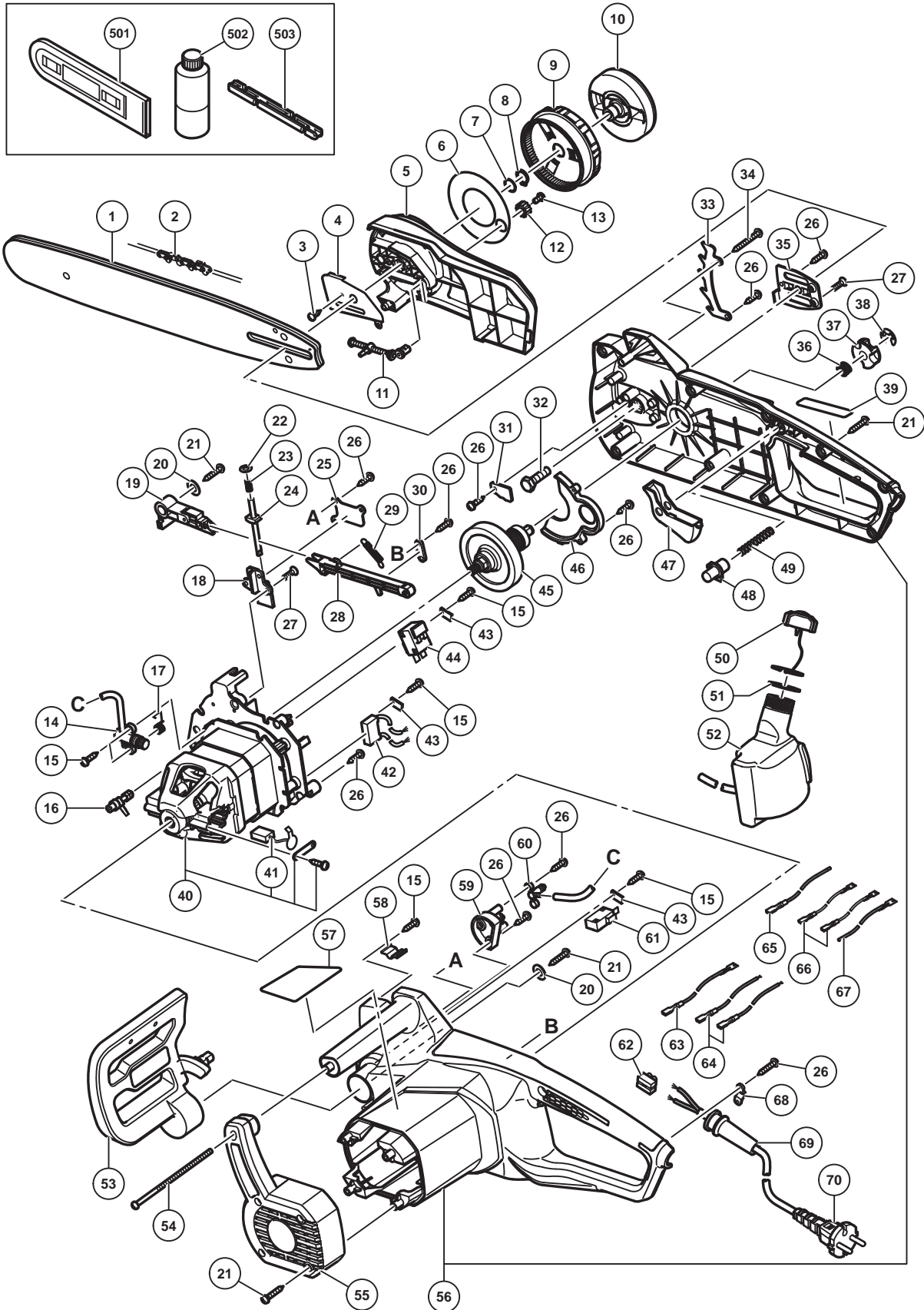


# ELECTRIC TOOL PARTS LIST

## CHAIN SAW Model CS 40SB

2015.4.14  
(E1)



**PARTS**

CS 40SB

ITEM NO.	CODE NO.	DESCRIPTION	NO. USED	REMARKS
1	6696992	CHAIN BAR 16 INCH 3/8 SPROCKET PRC	1	
2	6697889	SAW CHAIN (3/8 X 16") 91PX-57XJ	1	
3	696352	TAPPING SCREW D3	2	
4	338943	GUIDE PLATE	1	
5	338794	END CAP	1	
6	335688	DUST SHEET	1	
7	996407	O-RING (1AP-12)	1	
8	939543	RETAINING RING FOR D14 SHAFT (10 PCS.)	1	
9	335150	TENSION DIAL	1	
10	335151	KNOB	1	
11	335966	CHAIN PULLER	1	
12	335152	TENSION GEAR	1	
13	315500	MACHINE SCREW (W/WASHER) M4 X 8 (BLACK)	1	
14	338820	OIL PUMP	1	
15	6685415	TAPPING SCREW D3 X 8	7	
16	335967	ADJUSTING BOLT	1	
17	338821	EXTENSION SPRING	1	
18	338812	FRAME PLATE	1	
19	338825	FRONT PUSH ROD	1	
20	338824	FLAT WASHER	2	
21	339124	TAPPING SCREW D5 X 16	15	
22	338809	WASHER	1	
23	338810	SPRING	1	
24	338811	BRAKE BAR	1	
25	338816	PRESS BOARD (BRAKE LEVER)	1	
26	954017	TAPPING SCREW D4 X 12	22	
27	949323	FLAT HD. SCREW M4 X 12 (10 PCS.)	6	
28	338830	PUSH ROD	1	
29	338829	RETURN SPRING	1	
30	338831	PRESS BOARD	1	
31	338813	PRESS BOARD (B)	1	
32	338814	MACHINE SCREW	1	
33	338797	SPIKE	1	
34	957580	TAPPING SCREW D5 X 30	1	
35	338796	INSULATION BLANKET	1	
36	338798	SPRING	1	
37	338799	SPROCKET	1	
38	974577	RETAINING RING (E-TYPE) FOR D7 SHAFT	1	
39		CAUTION LABEL	1	
40	338818	MOTOR ASS'Y	1	INCLUD.41
41	338946	CARBON BRUSH 230V (2 PCS.)	2	
42	338808	CAPACITOR	1	
43	338806	PRESS BOARD (A)	3	
44	338807	SWITCH	1	
45	338819	OUTPUT SHAFT	1	
46	338815	DUST COVER	1	
47	338833	SWITCH BUTTON	1	
48	338832	LOCK OFF BUTTON	1	
49	338804	LOCK OFF SPRING	1	
50	338801	OIL TANK CAP	1	

