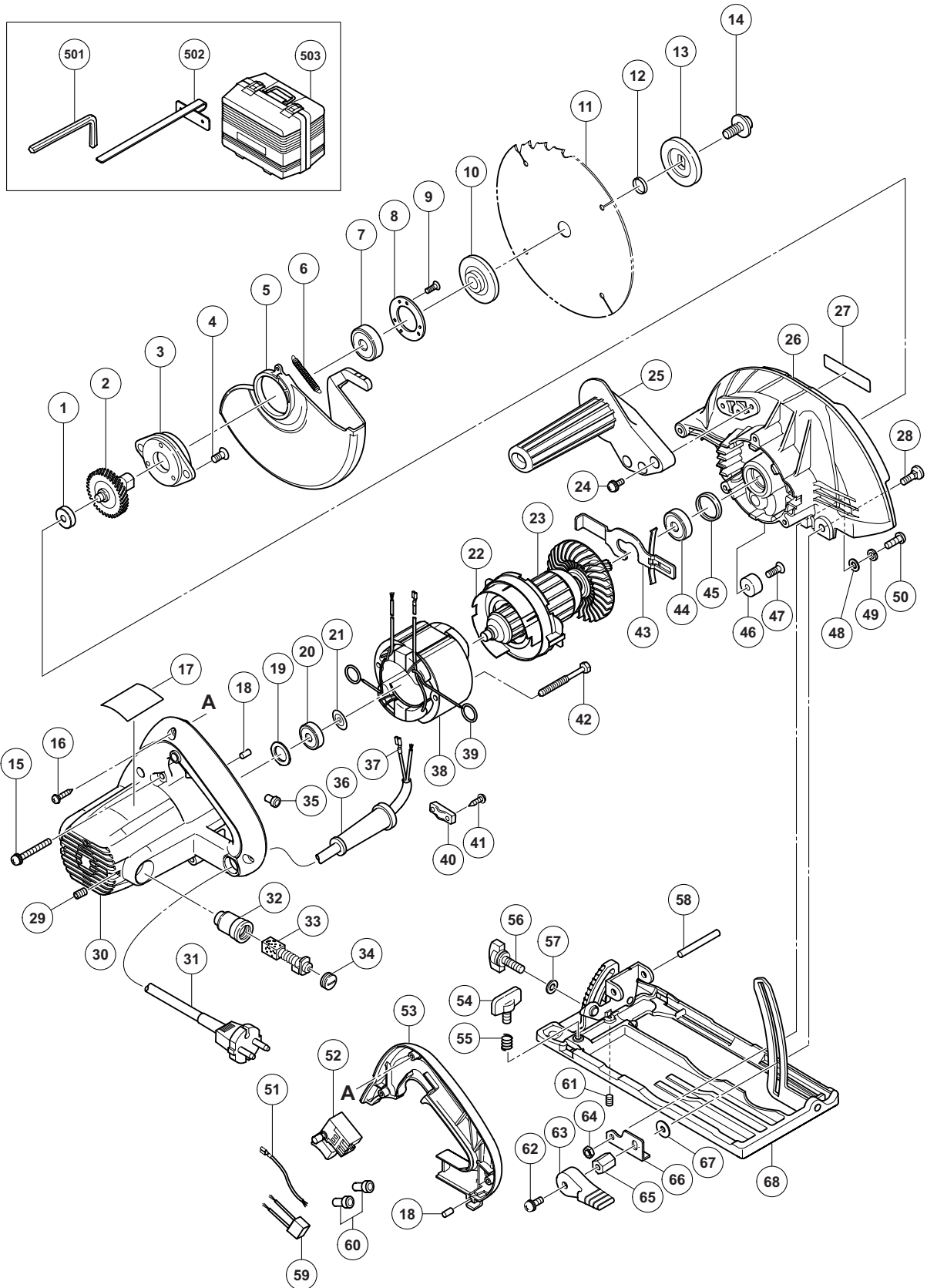


ELECTRIC TOOL PARTS LIST

CIRCULAR SAW
Model C 7SS

2009·6·18
(E1)



PARTS

C 7SS

ITEM NO.	CODE NO.	DESCRIPTION	NO. USED	REMARKS
1	963-803	METAL	1	
* 2	322-088	SPINDLE AND GEAR SET	1	
* 2	331-705	SPINDLE AND GEAR SET	1	FOR CHI, PAN, MEX
3	308-361	BEARING HOLDER	1	
4	305-568	SEAL LOCK FLAT HD. SCREW M5 X 12	2	
5	331-273	LOWER GUARD	1	
6	331-268	RETURN SPRING	1	
7	600-2VV	BALL BEARING 6002VVCMP2L	1	
8	308-362	BEARING COVER	1	
9	308-773	SEAL LOCK FLAT HD. SCREW M3 X 12	3	
* 10	323-928	WASHER (A)	1	
* 10	322-099	WASHER (A)	1	FOR NZL, AUS, CHN, KOR, VEN, TPE, THA, INA, SIN, HKG, KUW, IND
* 10	317-466	WASHER (A1)	1	FOR CHI, PAN, MEX
* 11	324-668	TCT SAW BLADE 190MM-D30 HOLE-NT18	1	
* 11	330-888	TCT SAW BLADE 190MM-D20 HOLE-NT18	1	FOR NZL, AUS, CHN, KOR, VEN, TPE, THA, INA, SIN, HKG, KUW, IND
* 11	331-659	TCT SAW BLADE 190MM-D15.9 HOLE-NT18	1	FOR CHI, PAN, MEX
* 12	990-100	RING D15.9/I.D14.5	1	FOR CHI, PAN, MEX
* 13	323-924	WASHER (B)	1	
* 13	324-563	WASHER (B2)	1	FOR CHI, PAN, MEX
14	325-541	HEX. SOCKET HD. BOLT (W/WASHER) M7 X 17.5	1	
15	302-434	MACHINE SCREW (W/WASHERS) M5 X 45 (BLACK)	3	
16	328-643	TAPPING SCREW (W/FLANGE) D4 X 23 (BLACK)	3	
17		NAME PLATE	1	
18	931-701	BEARING LOCK	2	
19	331-264	THRUST WASHER	1	
20	608-VVM	BALL BEARING 608VVC2PS2L	1	
21	982-631	WASHER (A)	1	
22	322-002	FAN GUIDE	1	
* 23	360-883C	ARMATURE 110V	1	
* 23	360-883D	ARMATURE 120V	1	
* 23	360-883E	ARMATURE 220V-230V	1	
* 23	360-883F	ARMATURE 240V	1	
* 24	887-021	SCREW (W/WHISHERS) M5 X 16 (BLACK)	1	EXCEPT FOR VEN, TPE, THA, INA, SIN, HKG, KUW, IND
* 25	330-973	SIDE HANDLE	1	EXCEPT FOR VEN, TPE, THA, INA, SIN, HKG, KUW, IND
26	331-272	GEAR COVER ASS'Y	1	INCLUD. 45-47
27		HITACHI LABEL	1	
28	942-808	BOLT (SQUARE) M6 X 20	1	
29	938-477	HEX. SOCKET SET SCREW M5 X 8	2	
30	331-260	HOUSING ASS'Y	1	INCLUD. 29, 32
* 31	500-409Z	CORD	1	(CORD ARMOR D8.8)
* 31	500-435Z	CORD	1	(CORD ARMOR D8.8) FOR HKG, SIN, GBR (230V)
* 31	500-461Z	CORD	1	(CORD ARMOR D8.8) FOR GBR (110V)
* 31	500-247Z	CORD	1	(CORD ARMOR D8.8) FOR FIN, NOR, SWE, DEN
* 31	500-447Z	CORD	1	(CORD ARMOR D8.8) FOR SUI, CHI
* 31	500-439Z	CORD	1	(CORD ARMOR D8.8) FOR NZL, AUS
* 31	500-455Z	CORD	1	(CORD ARMOR D8.8) FOR VEN

ITEM NO.	CODE NO.	DESCRIPTION	NO. USED	REMARKS
* 31	500-468Z	CORD	1	(CORD ARMOR D8.8) FOR THA, CHN
* 31	500-231Z	CORD	1	(CORD ARMOR D8.8) FOR SIN
* 31	500-240Z	CORD	1	(CORD ARMRO D8.8) FOR MEX, PAN (120V)
* 31	323-974	CORD	1	(CORD ARMOR D10.1) FOR TPE
	32	957-051	2	BRUSH HOLDER
	33	999-043	2	CARBON BRUSH (1 PAIR)
	34	935-829	2	BRUSH CAP
* 35	959-140	CONNECTOR 50091 (10 PCS.)	1	FOR VEN, THA, INA, IND, PAN, SIN, HKG, KUW, MEX, CHI
* 36	953-327	CORD ARMOR D8.8	1	
* 36	938-051	CORD ARMOR D10.1	1	
	37	331-707	1	FASTON
* 38	340-614C	STATOR ASS'Y 110V	1	INCLUD. 39
* 38	340-756C	STATOR ASS'Y 110V	1	INCLUD. 39 FOR VEN
* 38	340-756D	STATOR ASS'Y 120V	1	INCLUD. 39
* 38	340-614E	STATOR ASS'Y 230V	1	INCLUD. 39
* 38	340-756E	STATOR ASS'Y 220V-230V	1	INCLUD. 39 FOR THA, INA, SIN, HKG, CHI, IND, PAN (220V)
* 38	340-614F	STATOR ASS'Y 240V	1	INCLUD. 39
* 38	340-756F	STATOR ASS'Y 240V	1	INCLUD. 39 FOR KUW
	39	930-703	2	BRUSH TERMINAL
	40	937-631	1	CORD CLIP
	41	984-750	2	TAPPING SCREW (W/FLANGE) D4 X 16
	42	953-174	2	HEX. HD. TAPPING SCREW D5 X 55
	43	307-918	1	LOCK LEVER
	44	600-0VV	1	BALL BEARING 6000VVCMP2L
	45	318-647	1	RUBBER RING
	46	961-729	1	CUSHION
	47	949-794	1	FLAT HD. SCREW M6 X 20 (10 PCS.)
	48	331-706	1	WASHER
	49	949-454	1	SPRING WASHER M5 (10 PCS.)
	50	949-237	1	MACHINE SCREW M5 X 12 (10 PCS.)
* 51	331-269	INTERNAL WIRE	1	EXCEPT FOR VEN, PAN, CHI, THA, INA, SIN, HKG, KUW, MEX, IND
	52	331-259	1	SWITCH
	53	331-261	1	HANDLE COVER
	54	307-898	1	WING BOLT M6 X 18
	55	941-056	1	SPRING
* 56	307-937	WING BOLT (A)	1	
* 56	308-364	WING BOLT (A) M6 X 15	1	FOR VEN, TPE, PAN, CHI, THA, INA, SIN, HKG, KUW, MEX, IND
	57	948-167	1	SUPER LOCK WASHER M6
	58	949-750	1	ROLL PIN D6 X 50 (10 PCS.)
* 59	930-039	NOISE SUPPRESSOR	1	EXCEPT FOR VEN, PAN, CHI, THA, INA, SIN, HKG, KUW, MEX, IND
* 60	959-141	CONNECTOR 50092 (10 PCS.)	2	FOR NOISE SUPPRESSOR
* 61	308-109	SLOTTED HD. SET SCREW (SEAL LOCK) M6 X 8	1	EXCEPT FOR VEN, TPE, PAN, CHI, THA, INA, SIN, HKG, KUW, MEX, IND
	62	322-260	1	SEAL LOCK SCREW (W/SP. WASHERS) M6 X 14
	63	323-923	1	LEVER (A)

ITEM NO.	CODE NO.	DESCRIPTION	NO. USED	REMARKS
64	949-566	LOCK NUT M5 (10 PCS.)	1	
65	328-048	LOCK NUT	1	
66	331-708	PLATE	1	
67	329-933	WASHER (C)	1	
* 68	331-270	BASE	1	INCLUD. 54-57, 61
* 68	331-271	BASE	1	INCLUD. 54-57 FOR VEN, TPE, PAN, CHI, THA, INA, SIN, HKG, KUW, MEX, IND

STANDARD ACCESSORIES

ITEM NO.	CODE NO.	DESCRIPTION	NO. USED	REMARKS
501	944-459	HEX. BAR WRENCH 5MM	1	
502	302-756	GUIDE	1	
* 503	331-671	CASE	1	FOR GBR (230V)

OPTIONAL ACCESSORIES

ITEM NO.	CODE NO.	DESCRIPTION	NO. USED	REMARKS
601	302-981	DUST COLLECTOR SET (D)	1	
602	322-099	WASHER (A)	1	