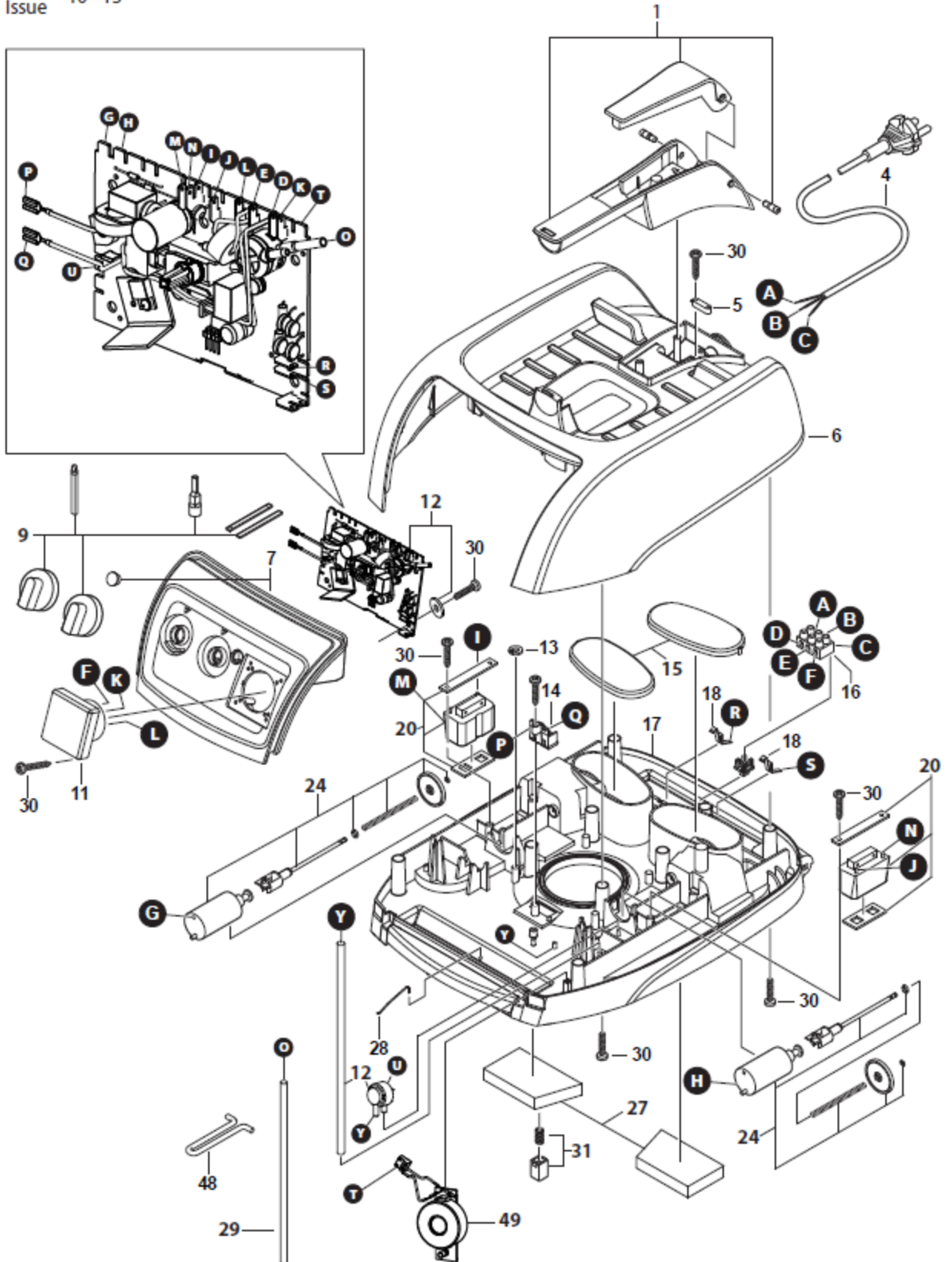


RP 350 YDM/H

# HITACHI RP350YD M / H

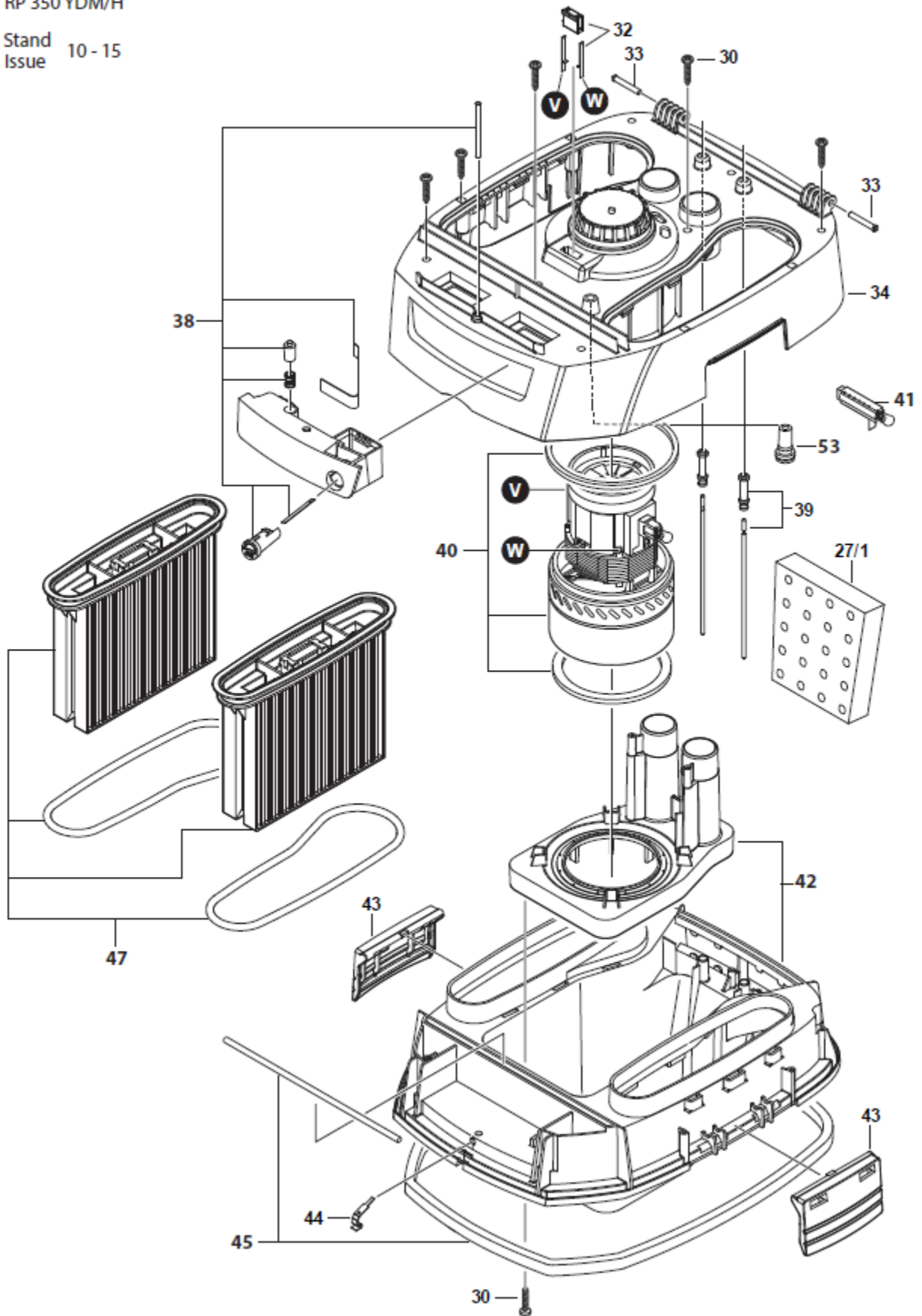
Stand  
Issue 10 - 15



# HITACHI RP350YD M / H

RP 350 YDM/H

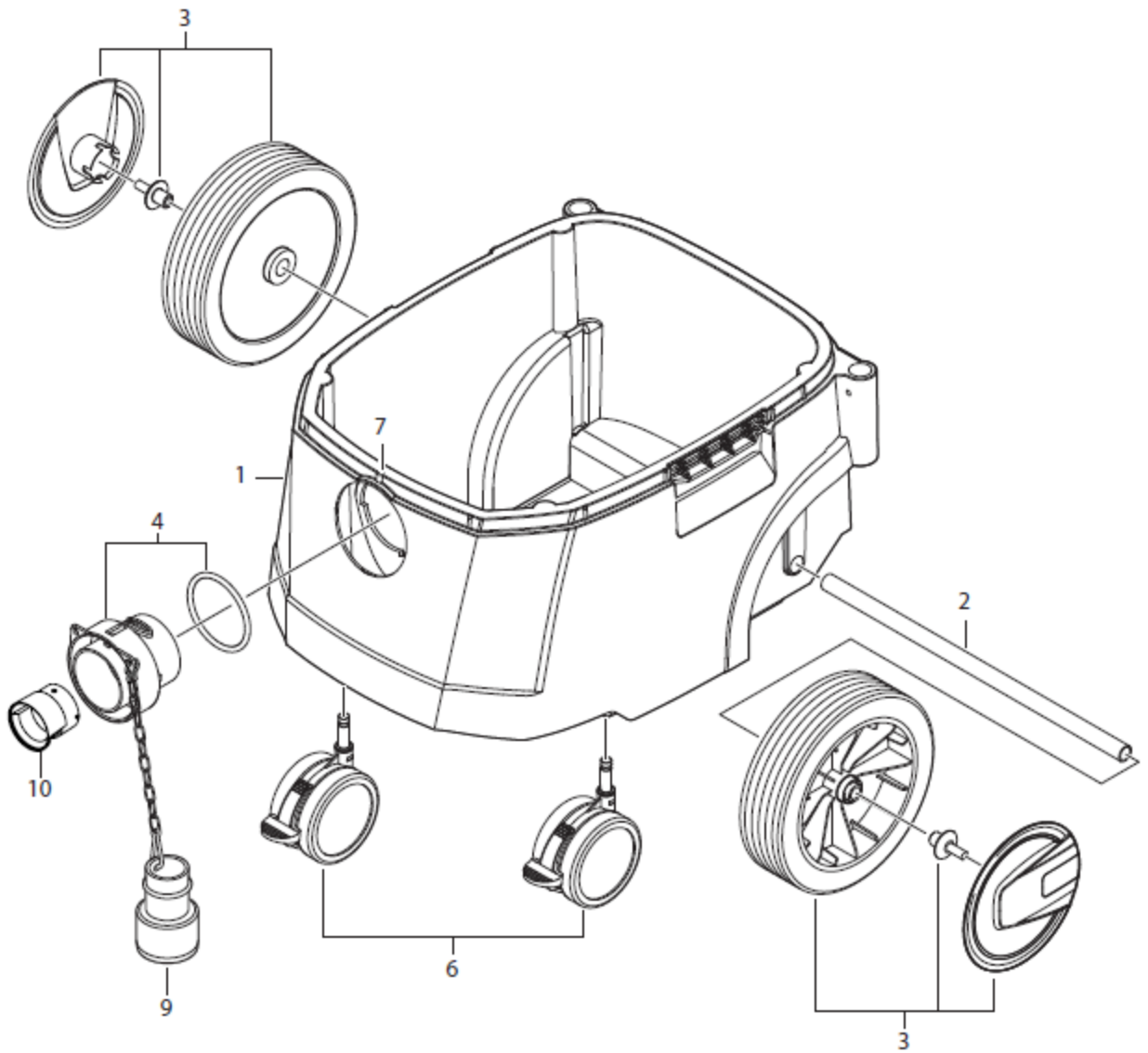
Stand 10 - 15  
Issue



# HITACHI RP350YD M / H

RP 350 YDM/H

Stand  
Issue 10 - 15



# HITACHI RP350YD M / H

| <b>RP350YDM<br/>RP350YDH</b> |                             |             |                             |               |
|------------------------------|-----------------------------|-------------|-----------------------------|---------------|
| <b>Pos.-Nr.</b>              | <b>Description (EN)</b>     | <b>Type</b> | <b>Hitachi<br/>Item No.</b> | <b>EAN</b>    |
| 01                           | Set handle RP350            | A+B         | 338582                      | 4549115099784 |
| 04                           | Power Cord                  | A+B         | 338585                      | 4549115099814 |
| 05                           | Strain relief clamp         | A+B         | 338586                      | 4549115099821 |
| 06                           | Cover housing               | A+B         | 338587                      | 4549115099838 |
| 07                           | Set Front plate + lens      | A+B         | 338588                      | 4549115099845 |
| 09                           | Set Adjusting knob          | A+B         | 338589                      | 4549115099852 |
| 11                           | Power tool plug socket      | A+B         | 338595                      | 4549115099913 |
| 12                           | Set Electronic plate RP350  | A+B         | 338596                      | 4549115099920 |
| 13                           | Set holding disc            | A+B         | 338597                      | 4549115099937 |
| 14                           | Motor plug socket           | A+B         | 338598                      | 4549115099944 |
| 15                           | Set Cover                   | A+B         | 338599                      | 4549115099951 |
| 16                           | Luster terminal             | A+B         | 338600                      | 4549115099968 |
| 17                           | Carrier plate               | A+B         | 338601                      | 4549115099975 |
| 18                           | Set Contact bow             | A+B         | 338602                      | 4549115099982 |
| 20                           | Set Vibrating magnet        | A+B         | 338604                      | 4549115100008 |
| 24                           | Set Pull magnet             | A+B         | 338608                      | 4549115100046 |
| 27+27/1                      | Set Motor protection filter | A+B         | 338610                      | 4549115100060 |
| 28                           | Contact wire                | A+B         | 338611                      | 4549115100077 |
| 29                           | Vacuum tube                 | A+B         | 338612                      | 4549115100084 |
| 30                           | Spax screw                  | A+B         | 338613                      | 4549115100091 |
| 31                           | Set pressure piece          | A+B         | 338614                      | 4549115100107 |
| 32                           | Set Motor plug connector    | A+B         | 338615                      | 4549115100114 |
| 33                           | Set bearing pin             | A+B         | 338616                      | 4549115100121 |
| 34                           | Motor housing               | A+B         | 338617                      | 4549115100138 |
| 38                           | Set Lock bar Zb             | A+B         | 338618                      | 4549115100145 |
| 39                           | Set Electrode               | A+B         | 338621                      | 4549115100176 |
| 40                           | Set Motor 230V              | A+B         | 338623                      | 4549115100190 |
| 41                           | Set carbon brushes          | A+B         | 338624                      | 4549115100206 |
| 42                           | Lower housing               | A+B         | 338627                      | 4549115100237 |

# HITACHI RP350YD M / H

| Pos.-Nr. | Description (EN)                     | Type | Hitachi Item No. | EAN           |
|----------|--------------------------------------|------|------------------|---------------|
| 43       | Set closing latch                    | A+B  | 338628           | 4549115100244 |
| 44       | Discharge bridge                     | A+B  | 338629           | 4549115100251 |
| 45       | Set square bar sealing + foam rubber | A+B  | 338630           | 4549115100268 |
| 47       | Filter cartridge polyester           | A    | 338633           | 4549115100299 |
| 47       | Filter cartridge HEPA                | B    | 338634           | 4549115100305 |
| 00       | Specification plate                  | A    | 338619           | 4549115100152 |
| 00       | Specification plate                  | B    | 338620           | 4549115100169 |
| 48       | Brace support                        | A+B  | 338635           | 4549115100312 |
| 49       | Signal horn                          | A+B  | 338636           | 4549115100329 |
| 53       | Pressure sealing                     | A+B  | 338637           | 4549115100336 |
| 00       | iPulse label                         | A+B  | 338638           | 4549115100343 |
| 00       | "H" label                            | B    | 338639           | 4549115100350 |
| 00       | "M" label                            | A    | 338640           | 4549115100367 |

| <b>Canister 35Liter</b> |                             |     |        |               |
|-------------------------|-----------------------------|-----|--------|---------------|
| 01                      | Container                   | A+B | 338643 | 4549115100398 |
| 02                      | Axle                        | A+B | 338644 | 4549115100404 |
| 03                      | Set wheel                   | A+B | 338645 | 4549115100411 |
| 04                      | Set Inlet fitting (drilled) | A+B | 338646 | 4549115100428 |
| 06                      | Set caster wheel            | A+B | 338648 | 4549115100442 |
| 07                      | Discharge bolt              | A+B | 338649 | 4549115100459 |
| 09                      | Set Container stopper       | A+B | 338651 | 4549115100473 |
| 10                      | Set Rotary valve            | A+B | 338652 | 4549115100480 |
| 95                      | Accessories fastener        | A+B | 338653 | 4549115100497 |
| 00                      | Pushing handle              | A+B | 338654 | 4549115100503 |
| 00                      | Set Fastener spring         | A+B | 338655 | 4549115100510 |