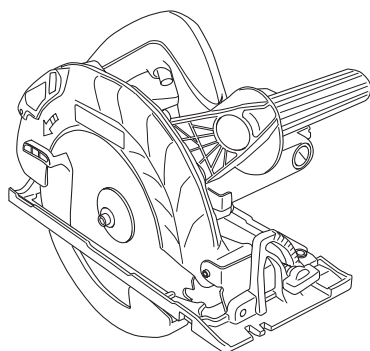


HIKOKI

**Circular Saw
Kreissäge
Scie circulaire
Sega circolare
Cirkelzaagmachine
Sierra circular
Serra circular**

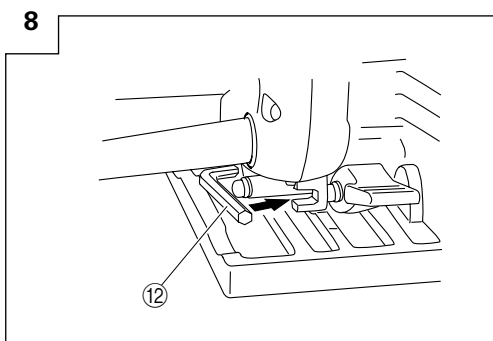
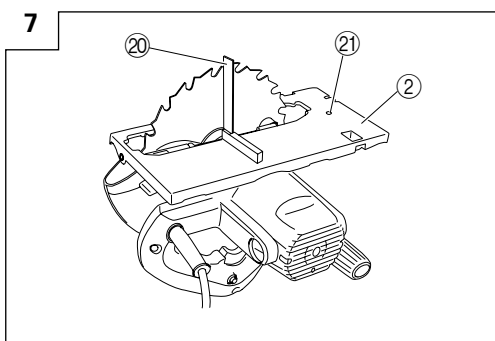
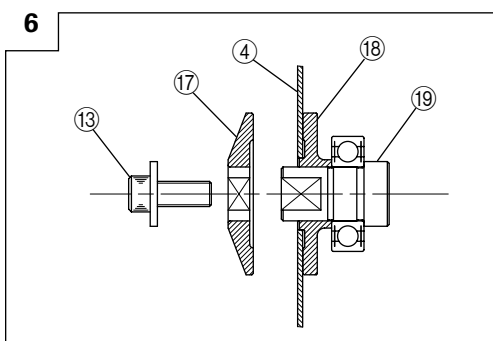
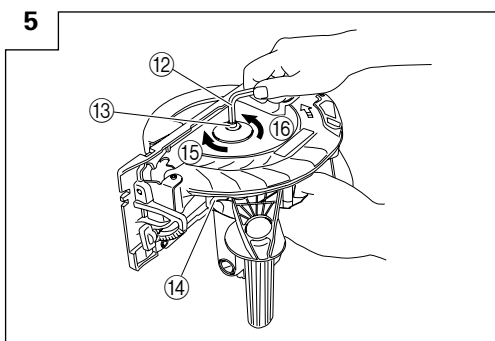
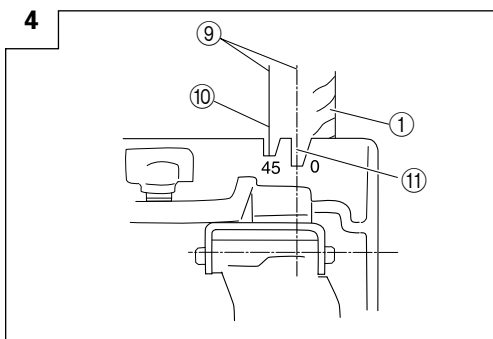
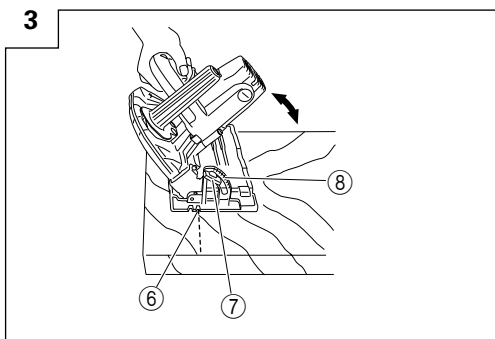
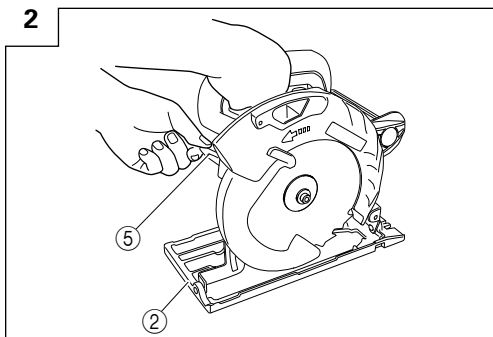
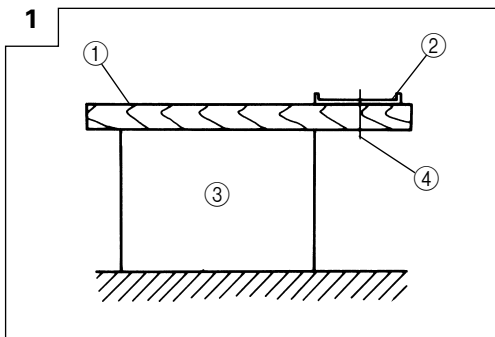
C 6SS · C 7SS



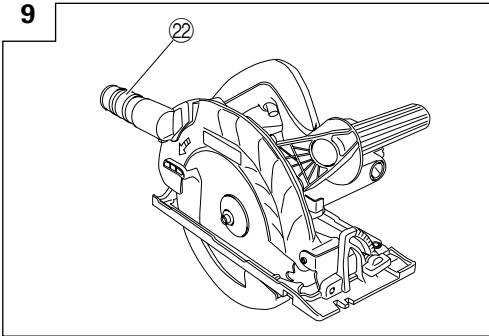
Read through carefully and understand these instructions before use.
Diese Anleitung vor Benutzung des Werkzeugs sorgfältig durchlesen und verstehen.
Lire soigneusement et bien assimiler ces instructions avant usage.
Prima dell'uso leggere attentamente e comprendere queste istruzioni.
Deze gebruiksaanwijzing s.v.p. voor gebruik zorgvuldig doorlezen.
Leer cuidadosamente y comprender estas instrucciones antes del uso.
Antes de usar, leia com cuidado para assimilar estas instruções.



Handling instructions
Bedienungsanleitung
Mode d'emploi
Istruzioni per l'uso
Gebruiksaanwijzing
Instrucciones de manejo
Instruções de uso











9



	English	Deutsch	Français	Italiano
①	Lumber	Schnittholz	Bois	Legno
②	Base	Grundplatte	Base	Base
③	Workbench	Werkbank	Etabli	Banco di lavoro
④	Saw blade	Sägeblatt	Lame de la scie	Lame della sega
⑤	Lever (A)	Hebel (A)	Levier (A)	Leva (A)
⑥	Cutting position at 45°	Schnittposition bei 45°	Position de coupe à 45°	Posizione di taglio a 45°
⑦	Wing-bolt	Fügelschraube	Boulon-papillon	Bullone a farfalla
⑧	Scale	Skala	Echelle	Scala
⑨	Marking-off-line	Markierung - versetzt	Ligne de marquage	Limite di demarcazione
⑩	Front scale at 45° incline	Frontskala bei 45° -Neigung	Echelle avant quand incliné à 45°	Scala frontale inclinata a 45°
⑪	Front scale when not inclined	Frontskala wenn nicht geneigt	Echelle avant quand non incliné	Scala frontale non inclinata
⑫	Hex. bar wrench	Sechskantschlüssel	Clé à barre hex.	Chiave esagonale
⑬	Hexagonal-socket bolt	Sechskantschraube	Boulon à tête hexagonale	Bullone esagonale
⑭	Depress the lock lever	Sperrhebel niederdrücken	Baisser le levier de verrouillage	Premere la leva di bloccaggio
⑮	Tighten	Anziehen	Serrer	Serrare
⑯	Loosen	Lösen	Desserrer	Allentare
⑰	Washer (B)	Unterlegscheibe (B)	Rondelle (B)	Rondella (B)
⑱	Washer (A)	Unterlegscheibe (A)	Rondelle (A)	Rondella (A)
⑲	Spindle	Achse	Arbre	Asse
⑳	Square	Winkel	Equerre	Squadra
㉑	Slotted set screw	Schaftschraube	Vis sans fin	Vite senza fine
㉒	Dust collector	Staubsauger	Collecteur à poussière	Raccogliopolvere

	Nederlands	Español	Português
①	Zaaghout	Madera útil	Madeira
②	Basisplaat	Base	Base
③	Werkbank	Banco de trabajo	Bancada de trabalho
④	Zaagblad	Cuchilla de sierra	Lâmina de serra
⑤	Hendel (A)	Palanca (A)	Alavanca (A)
⑥	Zaagstand bij 45°	Posición de corte a 45°	Posição de corte a 45°
⑦	Vleugelmoer	Perno de mariposa	Parafuso-borboleta
⑧	Schaal	Escala	Escala
⑨	Zaaglijn	Línea de límite	Marca off-line
⑩	Voorste schaal bij hellend zaagblad (45°)	Escala frontal con 45° de inclinación	Escala frontal com 45° de inclinação
⑪	Voorste schaal bij niet hellend zaagblad	Escala frontal sin inclinación	Escala frontal sem inclinação
⑫	Steeksleutel	Llave de barra hexagonal	Chave de barra sextavada
⑬	Imbusbout	Perno de cabeza hexagonal	Parafuso de cabeça sextavada
⑭	Vergrendeling indrukken	Bajar la palanca de bloqueo	Prima a alavanca de bloqueio
⑮	Aandraaien	Apretar	Apertar
⑯	Losdraaien	Aflojar	Desapertar
⑰	Onderlegschiif (B)	Arandela (B)	Arruela (B)
⑱	Onderlegschiif (A)	Arandela (A)	Arruela (A)
⑲	As	Husilio	Eixo
⑳	Windelhaak	Escuadra	Esquadro
㉑	Koploze schroef	Vástago	Parafuso de cabeça ranhurada
㉒	Stof-verzamelaar	Colector de polvo	Coletor de pó

	<p>Symbols ⚠ WARNING The following show symbols used for the machine. Be sure that you understand their meaning before use.</p>	<p>Symbole ⚠ WARNUNG Die folgenden Symbole werden für diese Maschine verwendet. Achten Sie darauf, diese vor der Verwendung zu verstehen.</p>	<p>Symboles ⚠ AVERTISSEMENT Les symboles suivants sont utilisés pour l'outil. Bien se familiariser avec leur signification avant d'utiliser l'outil.</p>	<p>Simboli ⚠ AVVERTENZA Di seguito mostriamo i simboli usati per la macchina. Assicurarsi di comprenderne il significato prima dell'uso.</p>
	<p>Read all safety warnings and all instructions. Failure to follow the warnings and instructions may result in electric shock, fire and/or serious injury.</p>	<p>Lesen Sie sämtliche Sicherheitshinweise und Anweisungen durch. Wenn die Warnungen und Anweisungen nicht befolgt werden, kann es zu Stromschlag, Brand und/oder ernsthaften Verletzungen kommen.</p>	<p>Lire tous les avertissements de sécurité et toutes les instructions. Tout manquement à observer ces avertissements et instructions peut engendrer des chocs électriques, des incendies et/ou des blessures graves.</p>	<p>Leggere tutti gli avvertimenti di sicurezza e tutte le istruzioni. La mancata osservanza degli avvertimenti e delle istruzioni potrebbe essere causa di scosse elettriche, incendi e/o gravi lesioni.</p>
	<p>Always wear eye protection.</p>	<p>Tragen Sie immer einen Augenschutz.</p>	<p>Toujours porter des verres de protection.</p>	<p>Indossare sempre le protezioni oculari.</p>
	<p>Always wear hearing protection.</p>	<p>Stets Gehörschutz tragen.</p>	<p>Porter des protections anti-bruit en permanence.</p>	<p>Indossare sempre i dispositivi di protezione acustica.</p>
	<p>Only for EU countries Do not dispose of electric tools together with household waste material! In observance of European Directive 2002/96/EC on waste electrical and electronic equipment and its implementation in accordance with national law, electric tools that have reached the end of their life must be collected separately and returned to an environmentally compatible recycling facility.</p>	<p>Nur für EU-Länder Werfen Sie Elektrowerkzeuge nicht in den Hausmüll! Gemäss Europäischer Richtlinie 2002/96/EG über Elektro- und Elektronik- Altgeräte und Umsetzung in nationales Recht müssen verbrauchte Elektrowerkzeuge getrennt gesammelt und einer umweltgerechten Wiederverwertung zugeführt werden.</p>	<p>Pour les pays européens uniquement Ne pas jeter les appareils électriques dans les ordures ménagères! Conformément à la directive européenne 2002/96/EG relative aux déchets d'équipements électriques ou électroniques (DEEE), et à sa transposition dans la législation nationale, les appareils électriques doivent être collectés à part et être soumis à un recyclage respectueux de l'environnement.</p>	<p>Solo per Paesi UE Non gettare le apparecchiature elettriche tra i rifiuti domestici. Secondo la Direttiva Europea 2002/96/CE sui rifiuti di apparecchiature elettriche ed elettroniche e la sua attuazione in conformità alle norme nazionali, le apparecchiature elettriche esauste devono essere raccolte separatamente, al fine di essere reimpiegate in modo eco-compatibile.</p>
	<p>Symboelen ⚠ WAARSCHUWING Hieronder staan symbolen afgebeeld die van toepassing zijn op deze machine. U moet de betekenis hiervan begrijpen voor gebruik.</p>	<p>Símbolos ⚠ ADVERTENCIA A continuación se muestran los símbolos usados para la máquina. Asegúrese de comprender su significado antes del uso.</p>	<p>Símbolos ⚠ AVISO A seguir aparecem os símbolos utilizados pela máquina. Assimile bem seus significados antes do uso.</p>	
	<p>Lees alle waarschuwingen en instructies aandachtig door. Nalating om de waarschuwingen en instructies op te volgen kan in een elektrische schok, brand en/of ernstig letsel resulteren.</p>	<p>Lea todas las instrucciones y advertencias de seguridad. Si no se siguen las advertencias e instrucciones, podría producirse una descarga eléctrica, un incendio y/o daños graves.</p>	<p>Leia todas as instruções e avisos de segurança. Se não seguir todas as instruções e os avisos, pode provocar um choque eléctrico, incêndio e/ou ferimentos graves.</p>	
	<p>Draag altijd oogbescherming.</p>	<p>Utilice siempre una protección ocular.</p>	<p>Utilize sempre proteção para os olhos.</p>	
	<p>Draag altijd gehoorbescherming.</p>	<p>Utilice siempre protecciones auriculares.</p>	<p>Use sempre proteção auditiva.</p>	
	<p>Alleen voor EU-landen Geef elektrisch gereedschap niet met het huisvuil mee! Volgens de Europese richtlijn 2002/96/EG inzake oude elektrische en elektronische apparaten en de toepassing daarvan binnen de nationale wetgeving, dient gebruikt elektrisch gereedschap gescheiden te worden ingezameld en te worden afgevoerd naar een recycle bedrijf dat voldoet aan de geldende milieu-eisen.</p>	<p>Sólo para países de la Unión Europea ¡No deseche los aparatos eléctricos junto con los residuos domésticos! De conformidad con la Directiva Europea 2002/96/CE sobre residuos de aparatos eléctricos y electrónicos y su aplicación de acuerdo con la legislación nacional, las herramientas eléctricas cuya vida útil haya llegado a su fin se deberán recoger por separado y trasladar a una planta de reciclaje que cumpla con las exigencias ecológicas.</p>	<p>Apenas para países da UE Não deite ferramentas elétricas no lixo doméstico! De acordo com a diretiva europeia 2002/96/CE sobre ferramentas elétricas e eletrônicas usadas e a transposição para as leis nacionais, as ferramentas elétricas usadas devem ser recolhidas em separado e encaminhadas a uma instalação de reciclagem dos materiais ecológica.</p>	

GENERAL POWER TOOL SAFETY WARNINGS

WARNING

Read all safety warnings and all instructions.

Failure to follow the warnings and instructions may result in electric shock, fire and/or serious injury.

Save all warnings and instructions for future reference.

The term "power tool" in the warnings refers to your mains-operated (corded) power tool or battery-operated (cordless) power tool.

1) Work area safety

- a) **Keep work area clean and well lit.**
Cluttered or dark areas invite accidents.
- b) **Do not operate power tools in explosive atmospheres, such as in the presence of flammable liquids, gases or dust.**
Power tools create sparks which may ignite the dust or fumes.
- c) **Keep children and bystanders away while operating a power tool.**
Distractions can cause you to lose control.

2) Electrical safety

- a) **Power tool plugs must match the outlet. Never modify the plug in any way. Do not use any adapter plugs with earthed (grounded) power tools.**
Unmodified plugs and matching outlets will reduce risk of electric shock.
- b) **Avoid body contact with earthed or grounded surfaces, such as pipes, radiators, ranges and refrigerators.**
There is an increased risk of electric shock if your body is earthed or grounded.
- c) **Do not expose power tools to rain or wet conditions.**
Water entering a power tool will increase the risk of electric shock.
- d) **Do not abuse the cord. Never use the cord for carrying, pulling or unplugging the power tool. Keep cord away from heat, oil, sharp edges or moving parts.**
Damaged or entangled cords increase the risk of electric shock.
- e) **When operating a power tool outdoors, use an extension cord suitable for outdoor use.**
Use of a cord suitable for outdoor use reduces the risk of electric shock.
- f) **If operating a power tool in a damp location is unavoidable, use a residual current device (RCD) protected supply.**
Use of an RCD reduces the risk of electric shock.

3) Personal safety

- a) **Stay alert, watch what you are doing and use common sense when operating a power tool. Do not use a power tool while you are tired or under the influence of drugs, alcohol or medication.**
A moment of inattention while operating power tools may result in serious personal injury.
- b) **Use personal protective equipment. Always wear eye protection.**
Protective equipment such as dust mask, non-skid safety shoes, hard hat, or hearing protection used for appropriate conditions will reduce personal injuries.
- c) **Prevent unintentional starting. Ensure the switch is in the off-position before connecting to power source and/or battery pack, picking up or carrying the tool.**

Carrying power tools with your finger on the switch or energising power tools that have the switch on invites accidents.

- d) **Remove any adjusting key or wrench before turning the power tool on.**
A wrench or a key left attached to a rotating part of the power tool may result in personal injury.
 - e) **Do not overreach. Keep proper footing and balance at all times.**
This enables better control of the power tool in unexpected situations.
 - f) **Dress properly. Do not wear loose clothing or jewellery. Keep your hair, clothing and gloves away from moving parts.**
Loose clothes, jewellery or long hair can be caught in moving parts.
 - g) **If devices are provided for the connection of dust extraction and collection facilities, ensure these are connected and properly used.**
Use of dust collection can reduce dust related hazards.
- #### 4) Power tool use and care
- a) **Do not force the power tool. Use the correct power tool for your application.**
The correct power tool will do the job better and safer at the rate for which it was designed.
 - b) **Do not use the power tool if the switch does not turn it on and off.**
Any power tool that cannot be controlled with the switch is dangerous and must be repaired.
 - c) **Disconnect the plug from the power source and/or the battery pack from the power tool before making any adjustments, changing accessories, or storing power tools.**
Such preventive safety measures reduce the risk of starting the power tool accidentally.
 - d) **Store idle power tools out of the reach of children and do not allow persons unfamiliar with the power tool or these instructions to operate the power tool. Power tools are dangerous in the hands of untrained users.**
 - e) **Maintain power tools. Check for misalignment or binding of moving parts, breakage of parts and any other condition that may affect the power tools' operation.**
If damaged, have the power tool repaired before use. Many accidents are caused by poorly maintained power tools.
 - f) **Keep cutting tools sharp and clean.**
Properly maintained cutting tools with sharp cutting edges are less likely to bind and are easier to control.
 - g) **Use the power tool, accessories and tool bits etc. in accordance with these instructions, taking into account the working conditions and the work to be performed.**
Use of the power tool for operations different from those intended could result in a hazardous situation.
- #### 5) Service
- a) **Have your power tool serviced by a qualified repair person using only identical replacement parts.**
This will ensure that the safety of the power tool is maintained.

PRECAUTION

Keep children and infirm persons away.

When not in use, tools should be stored out of reach of children and infirm persons.

CIRCULAR SAW SAFETY WARNINGS

Cutting procedures

- a) **⚠ DANGER: Keep hands away from cutting area and the blade. Keep your second hand on auxiliary handle, or motor housing.**

If both hands are holding the saw, they cannot be cut by the blade.

- b) **Do not reach underneath the workpiece.**

The guard cannot protect you from the blade below the workpiece.

- c) **Adjust the cutting depth to the thickness of the workpiece.**

Less than a full tooth of the blade teeth should be visible below the workpiece.

- d) **Never hold piece being cut in your hands or across your leg. Secure the workpiece to a stable platform.**

It is important to support the work properly to minimize body exposure, blade binding, or loss of control.

- e) **Hold the power tool by insulated gripping surfaces only, when performing an operation where the cutting tool may contact hidden wiring or its own cord.**

Contact with a "live" wire will also make exposed metal parts of the power tool "live" and could give the operator an electric shock.

- f) **When ripping always use a rip fence or straight edge guide.**

This improves the accuracy of cut and reduces the chance of blade binding.

- g) **Always use blades with correct size and shape (diamond versus round) of arbour holes.**

Blades that do not match the mounting hardware of the saw will run eccentrically, causing loss of control.

- h) **Never use damaged or incorrect blade washers or bolt.**

The blade washers and bolt were specially designed for your saw, for optimum performance and safety of operation.

Kickback causes and related warnings

- kickback is a sudden reaction to a pinched, bound or misaligned saw blade, causing an uncontrolled saw to lift up and out of the workpiece toward the operator;
- when the blade is pinched or bound tightly by the kerf closing down, the blade stalls and the motor reaction drives the unit rapidly back toward the operator;
- if the blade becomes twisted or misaligned in the cut, the teeth at the back edge of the blade can dig into the top surface of the wood causing the blade to climb out of the kerf and jump back toward the operator.

Kickback is the result of saw misuse and/or incorrect operating procedures or conditions and can be avoided by taking proper precautions as given below.

- a) **Maintain a firm grip with both hands on the saw and position your arms to resist kickback forces. Position your body to either side of the blade, but not in line with the blade.**

Kickback could cause the saw to jump backwards, but kickback forces can be controlled by the operator, if proper precautions are taken.

- b) **When blade is binding, or when interrupting a cut for any reason, release the trigger and hold the saw motionless in the material until the blade comes to a complete stop.**

Never attempt to remove the saw from the work or pull the saw backward while the blade is in motion or kickback may occur.

Investigate and take corrective actions to eliminate the cause of blade binding.

- c) **When restarting a saw in the workpiece, centre the saw blade in the kerf and check that saw teeth are not engaged into the material.**

If saw blade is binding, it may walk up or kickback from the workpiece as the saw is restarted.

- d) **Support large panels to minimise the risk of blade pinching and kickback.**

Large panels tend to sag under their own weight. Supports must be placed under the panel on both sides, near the line of cut and near the edge of the panel.

- e) **Do not use dull or damaged blades.**

Unsharpened or improperly set blades produce narrow kerf causing excessive friction, blade binding and kickback.

- f) **Blade depth and bevel adjusting locking levers must be tight and secure before making cut.**

If blade adjustment shifts while cutting, it may cause binding and kickback.

- g) **Use extra caution when sawing into existing walls or other blind areas.**

The protruding blade may cut objects that can cause kickback.

Lower guard function

- a) **Check lower guard for proper closing before each use. Do not operate the saw if lower guard does not move freely and close instantly. Never clamp or tie the lower guard into the open position.**

If saw is accidentally dropped, lower guard may be bent.

Raise the lower guard with the retracting handle and make sure it moves freely and does not touch the blade or any other part, in all angles and depths of cut.

- b) **Check the operation of the lower guard spring. If the guard and the spring are not operating properly, they must be serviced before use.**

Lower guard may operate sluggishly due to damaged parts, gummy deposits, or a build-up of debris.

- c) **Lower guard may be retracted manually only for special cuts such as "plunge cuts" and "compound cuts".**

Raise lower guard by retracting handle and as soon as blade enters the material, the lower guard must be released.

For all other sawing, the lower guard should operate automatically.

- d) **Always observe that the lower guard is covering the blade before placing saw down on bench or floor.**

An unprotected, coasting blade will cause the saw to walk backwards, cutting whatever is in its path. Be aware of the time it takes for the blade to stop after switch is released.

PRECAUTIONS ON USING CIRCULAR SAW

1. Do not use saw blades which are deformed or cracked.
2. Do not use saw blades made of high speed steel.
3. Do not use saw blades which do not comply with the characteristics specified in these instructions.
4. Do not stop the saw blades by lateral pressure on the disc.
5. Always keep the saw blades sharp.
6. Ensure that the lower guard moves smoothly and freely.
7. Never use the circular saw with its lower guard fixed in the open position.
8. Ensure that the retraction mechanism of the guard system operates correctly.
9. Never operate the circular saw with the saw blade turned upward or to the side.
10. Ensure that the material is free of foreign matters such as nails.
11. For model C6SS, the saw blades range should be from 165 mm to 160 mm.
For model C7SS, the saw blades range should be from 190 mm to 185 mm.
12. Disconnect the plug from the receptacle before carrying out any adjustment, servicing or maintenance.

SPECIFICATIONS

Model		C6SS	C7SS
Voltage (by areas)*		(110 V, 230 V) ~	
Cutting Depth	90°	57 mm	68 mm
	45°	38 mm	46 mm
Power Input*		110 V: 1010 W, 230 V: 1050 W	
No-Load Speed		5500 min ⁻¹	
Weight (without cord)		3.2 kg	3.4 kg

* Be sure to check the nameplate on product as it is subject to change by areas.

STANDARD ACCESSORIES

- (1) Saw Blade (mounted on tool) 1
 (Dia. 165 mm C6SS)
 (Dia. 190 mm C7SS)
- (2) Hex. Bar wrench 1

Standard accessories are subject to change without notice.

OPTIONAL ACCESSORIES (sold separately)

- (1) Dust Collector Set (D)
 Connect the suction hose to collect saw dust with the vacuum cleaner (see Fig. 9).
- (2) Washer (A)
 for 20 mm (Hole dia. of saw blade)
 for 30 mm (Hole dia. of saw blade)
- (3) Guide (with wing-bolt)

Optional accessories are subject to change without notice.

APPLICATION

Cutting various types of wood.

PRIOR TO OPERATION

1. **Power source**
 Ensure that the power source to be utilized conforms to the power requirements specified on the product nameplate.

2. **Power switch**

Ensure that the power switch is in the OFF position. If the plug is connected to a receptacle while the power switch is in the ON position, the power tool will start operating immediately, which could cause a serious accident.

3. **Extension cord**

When the work area is removed from the power source, use an extension cord of sufficient thickness and rated capacity. The extension cord should be kept as short as practicable.

4. **Prepare a wooden workbench (Fig. 1)**

Since the saw blade will extend beyond the lower surface of the lumber, place the lumber on a workbench when cutting. If a square block is utilized as a workbench, select level ground to ensure it is properly stabilized. An unstable workbench will result in hazardous operation.

CAUTION

To avoid possible accident, always ensure that the portion of lumber remaining after cutting is securely anchored or held in position.

5. **How to store the hex. bar wrench (Fig. 8)**

The hex. bar wrench used for attaching and detaching the saw blade can be stored in the handle.

ADJUSTING THE POWER TOOL PRIOR TO USE

1. **Adjusting the cutting depth**

The cutting depth can be adjusted by moving the base after loosening its lever (A) (Fig. 2).

CAUTION

Should this lever (A) remain loosened, it will create a very hazardous situation. Always thoroughly clamp it.

2. Adjusting the angle of inclination

By loosening the wing bolt at the scale, the saw blade can be tilted up to maximum angle of 45° against the base (Fig. 3).

The angle of inclination can also be regulated by loosening the wing bolt at the scale (Fig. 3).

CAUTION

It is very hazardous to allow this wing bolt to remain loosened. Always thoroughly clamp it.

3. Regulating the guide (Optional accessory)

The cutting position can be regulated by moving the guide to the left or right after loosening its wing bolt.

The guide can be mounted on either the left or the right side.

CUTTING PROCEDURES

1. Place the saw body (base) on the lumber, and align the cutting line with the saw blade at the front scale (Fig. 4).
2. Turn ON the switch before the saw blade contacts the lumber. The switch is turned ON when the trigger is squeezed, and turned OFF when the trigger is released.

CAUTIONS

Prior to cutting operation, make sure the material you are going to cut. If the material to be cut is expected to generate harmful / toxic dusts, make sure the dust bag or appropriate dust extraction system is connected with dust outlet tightly.

Wear the dust mask additionally, if available.

- Before starting to saw, confirm that the saw blade has attained full-speed revolution.
- Should the saw blade stop or make an abnormal noise while operating, promptly turn OFF the switch.
- Always take care in preventing the power cord from coming near to the revolving saw blade.
- Using the circular saw with the saw blade facing upwards or sideways is very hazardous. Such uncommon applications should be avoided.
- When cutting materials, always wear protective glasses.
- When finished with a job, pull out the plug from the receptacle.

MOUNTING AND DISMOUNTING THE SAW BLADE**CAUTION**

To avoid serious accident, ensure the switch is in the OFF position, and the power source is disconnected.

1. Dismounting the saw blade

- (1) Set the cutting volume at maximum, and place the Circular Saw as shown in Fig. 5.
- (2) Depress the lock lever, lock the spindle, and remove the hexagonal-socket bolt with the hex. bar wrench.
- (3) While holding the lower guard lever to keep the lower guard fully retracted into the saw cover, remove the saw blade.

2. Mounting the Saw Blade

- (1) Thoroughly remove any sawdust which has accumulated on the spindle, bolt and washers.
- (2) As shown in Fig. 6, the side of Washer (A) with a projected center the same diameter as the inner diameter of the saw blade and the concave side of Washer (B) must be fitted to the saw blade sides.
 - * Washer (A) is supplied for 2 types of saw blades with the hole diameters of 20 mm and 30 mm. (When buying the Circular Saw, one type of washer (A) is supplied.)

In case the hole diameter of your saw blade does not correspond to that of washer (A), please contact the shop where you purchased the Circular Saw.
- (3) To assure proper rotation direction of the saw blade, the arrow direction on the saw blade must coincide with the arrow direction on the saw cover.
- (4) Using the fingers, tighten the hexagonal-socket bolt retaining the saw blade as much as possible. Then depress the lock lever, lock the spindle, and thoroughly tighten the hexagonal-socket bolt.

CAUTION

After having attached the saw blade, reconfirm that the lock lever is firmly secured in the prescribed position.

MAINTENANCE AND INSPECTION**1. Inspecting the saw blade**

Since use of a dull saw blade will degrade efficiency and cause possible motor malfunction, sharpen or replace the saw blade as soon as abrasion is noted.

2. Inspecting the mounting screws

Regularly inspect all mounting screws and ensure that they are properly tightened. Should any of the screws be loose, retighten them immediately. Failure to do so could result in serious hazard.

3. Maintenance of the motor

The motor unit winding is the very "heart" of the power tool. Exercise due care to ensure the winding does not become damaged and/or wet with oil or water.

4. Inspecting the carbon brushes

For your continued safety and electrical shock protection, carbon brush inspection and replacement on this tool should ONLY be performed by a HiKOKI Authorized Service Center.

5. Replacing supply cord

If the replacement of the supply cord is necessary, this has to be done by the manufacturer of this agent in order to avoid a safety hazard.

6. Adjusting the base and saw blade to maintain perpendicularity

The angle between the base and the saw blade has been adjusted to 90°, however should this perpendicularity be lost for some reason, adjust in the following manner:

- (1) Turn the base face up (Fig. 7) and loosen the wing-bolt (Fig. 3).
- (2) Apply a square to the base and the saw blade and turning the slotted set screw with a slotted-head screwdriver, shift the position of the base to produce the desired right angle.

7. Maintenance of the lower guard

For safe and proper working, always keep the machine and ventilation slots clean. The lower guard must always be able to move freely and retract automatically. Therefore, always keep the area around the lower guard clean. Remove dust and chips by blowing out with compressed air or with a brush.

8. Service parts list

CAUTION

Repair, modification and inspection of HiKOKI Power Tools must be carried out by a HiKOKI Authorized Service Center.

This Parts List will be helpful if presented with the tool to the HiKOKI Authorized Service Center when requesting repair or other maintenance.

In the operation and maintenance of power tools, the safety regulations and standards prescribed in each country must be observed.

MODIFICATIONS

HiKOKI Power Tools are constantly being improved and modified to incorporate the latest technological advancements.

Accordingly, some parts may be changed without prior notice.

GUARANTEE

We guarantee HiKOKI Power Tools in accordance with statutory/country specific regulation. This guarantee does not cover defects or damage due to misuse, abuse, or normal wear and tear. In case of complaint, please send the Power Tool, undismantled, with the GUARANTEE CERTIFICATE found at the end of this Handling instruction, to a HiKOKI Authorized Service Center.

NOTE

Due to HiKOKI's continuing program of research and development, the specifications herein are subject to change without prior notice.

IMPORTANT:

Correct connection of the plug

The wires of the main lead are coloured in accordance with the following code:

- Blue: — Neutral
- Brown: — Live

As the colours of the wires in the main lead of this tool may not correspond with the coloured markings identifying the terminals in your plug proceed as follows:

The wire coloured blue must be connected to the terminal marked with the letter N or coloured black. The wire coloured brown must be connected to the terminal marked with the letter L or coloured red. Neither core must be connected to the each terminal.

NOTE:

This requirement is provided according to BRITISH STANDARD 2769: 1984.

Therefore, the letter code and colour code may not be applicable to other markets except The United Kingdom.

Information concerning airborne noise and vibration

The measured values were determined according to EN 60745 and declared in accordance with ISO 4871.

C6SS

Measured A-weighted sound power level: 106 dB(A)
Measured A-weighted sound pressure level: 95 dB(A)
Uncertainty KpA: 3 dB(A)

C7SS

Measured A-weighted sound power level: 106 dB(A)
Measured A-weighted sound pressure level: 95 dB(A)
Uncertainty KpA: 3 dB(A)

Wear hearing protection.

Vibration total values (triax vector sum) determined according to EN60745.

Cutting chipboard:

C6SS

Vibration emission value $a_h = 2.4 \text{ m/s}^2$
Uncertainty K = 1.5 m/s^2

C7SS

Vibration emission value $a_h = 5.9 \text{ m/s}^2$
Uncertainty K = 1.5 m/s^2

The declared vibration total value has been measured in accordance with a standard test method and may be used for comparing one tool with another.

It may also be used in a preliminary assessment of exposure.

WARNING

- The vibration emission during actual use of the power tool can differ from the declared total value depending on the ways in which the tool is used.
- Identify safety measures to protect the operator that are based on an estimation of exposure in the actual conditions of use (taking account of all parts of the operating cycle such as the times when the tool is switched off and when it is running idle in addition to the trigger time).

ALLGEMEINE SICHERHEITSHINWEISE FÜR ELEKTROGERÄTE

WARNUNG

Lesen Sie sämtliche Sicherheitshinweise und Anweisungen durch. Wenn die Warnungen und Anweisungen nicht befolgt werden, kann es zu Stromschlag, Brand und/oder ernsthaften Verletzungen kommen.

Bitte bewahren Sie alle Warnhinweise und Anweisungen zum späteren Nachschlagen auf.

Der Begriff „Elektrowerkzeug“ bezieht sich in den Warnhinweisen auf Elektrowerkzeuge mit Netz- (schnurgebunden) oder Akkubetrieb (schnurlos).

1) Sicherheit im Arbeitsbereich

- Sorgen Sie für einen sauberen und gut ausgeleuchteten Arbeitsbereich.**
Zugestellte oder dunkle Bereiche ziehen Unfälle förmlich an.
- Verwenden Sie Elektrowerkzeuge niemals an Orten, an denen Explosionsgefahr besteht – zum Beispiel in der Nähe von leicht entflammaren Flüssigkeiten, Gasen oder Stäuben.**
Bei der Arbeit mit Elektrowerkzeugen kann es zu Funkenbildung kommen, wodurch sich Stäube oder Dämpfe entzünden können.
- Sorgen Sie bei der Arbeit mit Elektrowerkzeugen dafür, dass sich keine Zuschauer (insbesondere Kinder) in der Nähe befinden.**
Wenn Sie abgelenkt werden, können Sie die Kontrolle über das Werkzeug verlieren.

2) Elektrische Sicherheit

- Elektrowerkzeuge müssen mit passender Stromversorgung betrieben werden.**
Nehmen Sie niemals irgendwelche Änderungen am Anschlussstecker vor.
Verwenden Sie bei Elektrowerkzeugen mit Schutzkontakt (geerdet) niemals Adapterstecker.
Stecker im Originalzustand und passende Steckdosen reduzieren das Stromschlagrisiko.
- Vermeiden Sie Körperkontakt mit geerdeten Gegenständen wie Rohrleitungen, Heizungen, Herden oder Kühlschränken.**
Bei Körperkontakt mit geerdeten Gegenständen besteht ein erhöhtes Stromschlagrisiko.
- Setzen Sie Elektrowerkzeuge niemals Regen oder sonstiger Feuchtigkeit aus.**
Wenn Flüssigkeiten in ein Elektrowerkzeug eindringen, erhöht sich das Stromschlagrisiko.
- Verwenden Sie das Anschlusskabel nicht missbräuchlich.**
Tragen Sie das Elektrowerkzeug niemals an der Anschlussschnur, ziehen Sie es nicht damit heran und ziehen Sie den Stecker nicht an der Anschlussschnur aus der Steckdose.
Halten Sie die Anschlussschnur von Hitzequellen, Öl, scharfen Kanten und beweglichen Teilen fern.
Beschädigte oder verdrehte Anschlussschnüre erhöhen das Stromschlagrisiko.
- Wenn Sie ein Elektrowerkzeug im Freien benutzen, verwenden Sie ein für den Außeneinsatz geeignetes Verlängerungskabel.**
Ein für den Außeneinsatz geeignetes Kabel vermindert das Stromschlagrisiko.
- Falls sich der Betrieb des Elektrowerkzeuges in feuchter Umgebung nicht vermeiden lässt, verwenden Sie eine Stromversorgung mit Fehlerstromschutzeinrichtung (Residual Current Device, RCD).**
Durch den Einsatz einer Fehlerstromschutzeinrichtung wird das Risiko eines elektrischen Schlages reduziert.

3) Persönliche Sicherheit

- Blieben Sie wachsam, achten Sie auf das, was Sie tun, und setzen Sie Ihren Verstand ein, wenn Sie mit Elektrowerkzeugen arbeiten.**
Benutzen Sie keine Elektrowerkzeuge, wenn Sie müde sind oder unter Einfluss von Drogen, Alkohol oder Medikamenten stehen.
Bei der Arbeit mit Elektrowerkzeugen können bereits kurze Phasen der Unaufmerksamkeit zu schweren Verletzungen führen.
- Benutzen Sie eine persönliche Schutzausrüstung. Tragen Sie immer einen Augenschutz.**
Schutzausrüstung wie Staubmaske, rutschsichere Sicherheitsschuhe, Schutzhelm und Gehörschutz senken das Verletzungsrisiko bei angemessenem Einsatz.
- Vermeiden Sie unbeabsichtigtes Einschalten. Achten Sie darauf, dass sich der Schalter in der Aus- (Off-) Position befindet, ehe Sie das Gerät mit der Stromversorgung und/oder Batteriestromversorgung verbinden, es aufheben oder herumtragen.**
Das Herumtragen von Elektrowerkzeugen mit dem Finger am Schalter oder das Herstellen der Stromversorgung bei betätigtem Schalter zieht Unfälle regelrecht an.
- Entfernen Sie sämtliche Einstellwerkzeuge (Einstellschlüssel), ehe Sie das Elektrowerkzeug einschalten.**
Ein an einem beweglichen Teil des Elektrowerkzeuges angebrachter Schlüssel kann zu Verletzungen führen.
- Sorgen Sie für einen festen Stand. Achten Sie jederzeit darauf, sicher zu stehen und das Gleichgewicht zu bewahren.**
Dadurch haben Sie das Elektrowerkzeug in unerwarteten Situationen besser im Griff.
- Kleiden Sie sich richtig. Tragen Sie keine lose Kleidung oder Schmuck. Halten Sie Haar, Kleidung und Handschuhe von beweglichen Teilen fern.**
Lose Kleidung, Schmuck oder langes Haar kann von beweglichen Teilen erfasst werden.
- Wenn Anschlüsse für Staubabsaug- und -sammelvorrichtungen vorhanden sind, sorgen Sie dafür, dass diese richtig angeschlossen und eingesetzt werden.**
Durch Entfernen des Staubes können staubbezogene Gefahren vermindert werden.

4) Einsatz und Pflege von Elektrowerkzeugen

- Überprüfen Sie Elektrowerkzeuge nicht. Benutzen Sie das richtige Elektrowerkzeug für Ihren Einsatzzweck.**
Das richtige Elektrowerkzeug erledigt seine Arbeit bei bestimmungsgemäßem Einsatz besser und sicherer.
- Benutzen Sie das Elektrowerkzeug nicht, wenn es sich nicht am Schalter ein- und ausschalten lässt.**
Jedes Elektrowerkzeug, das nicht mit dem Schalter betätigt werden kann, stellt eine Gefahr dar und muss repariert werden.
- Stecken Sie den Stecker der Stromversorgung oder Batteriestromversorgung vom Gerät ab, ehe Sie Einstellarbeiten vornehmen, Zubehörteile tauschen oder das Elektrowerkzeug verstauen.**
Solche präventiven Sicherheitsmaßnahmen verhindern den unbeabsichtigten Anlauf des Elektrowerkzeugs und die damit verbundenen Gefahren.
- Lagern Sie nicht benutzte Elektrowerkzeuge außerhalb der Reichweite von Kindern, lassen Sie nicht zu, dass Personen das Elektrowerkzeug bedienen, die nicht mit dem Werkzeug selbst und/oder diesen Anweisungen vertraut sind.**
Elektrowerkzeuge in ungeschulten Händen sind gefährlich.
- Halten Sie Elektrowerkzeuge in Stand. Prüfen Sie auf Fehlausrichtungen, sicheren Halt und Leichtgängigkeit beweglicher Teile, Beschädigungen von Teilen und auf jegliche andere Zustände, die sich auf den Betrieb des Elektrowerkzeugs auswirken können.**

Bei Beschädigungen lassen Sie das Elektrowerkzeug reparieren, ehe Sie es benutzen.

Viele Unfälle mit Elektrowerkzeugen sind auf schlechte Wartung zurückzuführen.

- f) Halten Sie Schneidwerkzeuge scharf und sauber. Richtig gewartete Schneidwerkzeuge mit scharfen Schneidkanten bleiben weniger häufig hängen und sind einfacher zu beherrschen.
- g) Benutzen Sie Elektrowerkzeuge, Zubehör, Werkzeugspitzen und Ähnliches in Übereinstimmung mit diesen Anweisungen – beachten Sie dabei die jeweiligen Arbeitsbedingungen und die Art und Weise der auszuführenden Arbeiten.

Der Gebrauch des Elektrowerkzeuges für andere als die vorgesehenen Anwendungen kann zu gefährlichen Situationen führen.

5) Service

- a) Lassen Sie Elektrowerkzeuge durch qualifizierte Fachkräfte und unter Einsatz passender, zugelassener Originalteile warten.

Dies sorgt dafür, dass die Sicherheit des Elektrowerkzeuges nicht beeinträchtigt wird.

VORSICHT

Von Kindern und gebrechlichen Personen fernhalten.

Werkzeuge sollten bei Nichtgebrauch außerhalb der Reichweite von Kindern und gebrechlichen Personen aufbewahrt werden.

SICHERHEITSWARNUNGEN FÜR KREISSÄGE

Schneidvorgänge

- a) **⚠ GEFAHR:** Halten Sie Ihre Hände vom Arbeitsbereich und dem Blatt fern. Ihre zweite Hand befindet sich am Nebengriff oder am Motorgehäuse. Wenn Sie die Säge mit beiden Händen halten, können Sie sich nicht in die Finger schneiden.
- b) Greifen Sie nicht unter das Werkstück. Die Schutzeinrichtungen können Sie nicht vor dem Teil des Sägeblattes schützen, der sich unter dem Werkstück befindet.
- c) Passen Sie die Schnitttiefe der Stärke des Werkstücks an. Unterhalb des Werkstückes sollte weniger als ein ganzer Sägezahn sichtbar sein.
- d) Halten Sie ein zu schneidendes Werkstück niemals mit den Händen oder gar über Ihr Bein gelegt. Befestigen Sie das Werkstück auf einer stabilen Unterlage. Es ist wichtig, das Werkstück richtig zu stützen, damit es nicht zu Körperkontakt, Festfressen des Sägeblattes oder Kontrollverlust kommt.
- e) Halten Sie das Elektrowerkzeug an den isolierten Griffflächen, wenn Sie Arbeiten ausführen, bei denen das Schneidwerkzeug verborgene Leitungen oder sein eigenes Netzkabel berühren kann. Der Kontakt mit stromführenden Leitungen setzt auch freiliegende Metallteile des Elektrowerkzeuges unter Strom und könnte für den Bediener zu einem Stromschlag führen.
- f) Benutzen Sie beim Trennen (Längsschnitt) grundsätzlich einen Parallel- oder Linealanschlag. Dies verbessert die Schnittpräzision und erschwert ein Festfressen des Sägeblattes.
- g) Benutzen Sie grundsätzlich Sägeblätter der richtigen Bohrungsgröße und -form (Rund- oder Diamantform).

Sägeblätter, die nicht exakt zur Sägeblattaufnahme der Säge passen, laufen exzentrisch und können außer Kontrolle geraten.

- h) Benutzen Sie niemals beschädigte oder unpassende Sägeblatt-Unterlegscheiben oder -Schrauben. Die Sägeblatt-Unterlegscheiben und -Schrauben wurden speziell für Ihre Säge entwickelt – für beste Leistung und höchste Betriebssicherheit.

Ursachen für Rückschlag und diesbezügliche Warnungen

- der Rückschlag ist eine plötzliche Reaktion auf ein verklemmtes, verbogenes oder falsch ausgerichtetes Sägeblatt und führt zum unkontrollierten Springen der Säge aus dem Werkstück zum Bediener hin;
- wenn sich das Blatt in der enger werdenden Schnittfuge verklemmt, wird die Drehbewegung des Blattes blockiert und das Gerät durch die Motorkraft urplötzlich Richtung Bediener geschleudert;
- wenn sich das Blatt innerhalb der Schnittfuge verbiegt oder falsch ausrichtet, können sich die Zähne am rückwärtigen Teil des Sägeblattes in die Holzoberfläche graben und das Blatt zum Bediener hin aus der Schnittfuge springen lassen.

Ein Rückschlag ist das Ergebnis missbräuchlicher Nutzung der Säge und/oder falscher Bedienschritte oder ungeeigneter Arbeitsbedingungen – und kann durch geeignete Schutzmaßnahmen (wie nachstehend) verhindert werden.

- a) Halten Sie die Säge mit beiden Händen fest gepackt und halten Sie Ihre Arme so, dass sie einem möglichen Rückschlag entgegenwirken. Stellen Sie sich so hin, dass sich Ihr Körper seitlich hinter dem Sägeblatt befindet, nicht jedoch direkt dahinter. Durch den Rückschlag kann die Säge nach hinten springen; die Rückschlagkräfte lassen sich vom Bediener aber in den Griff bekommen, wenn die richtigen Vorsichtsmaßnahmen getroffen werden.
- b) Wenn sich das Blatt festfressen sollte oder Sie die Schneidarbeit aus sonstigen Gründen unterbrechen sollten, schalten Sie die Säge ab und bewegen sie nicht mehr, bis das Blatt vollständig stillsteht. Versuchen Sie niemals, das Sägeblatt aus dem Werkstück zu lösen oder die Säge nach hinten zu ziehen, während sich das Sägeblatt dreht – dies kann zum Rückschlag führen. Überprüfen Sie die Ursache des Festfressens und treffen Sie entsprechende Gegenmaßnahmen.
- c) Wenn Sie die Säge erneut starten, während sich das Blatt bereits im Werkstück befindet, zentrieren Sie das Blatt in der Schnittfuge und vergewissern sich, dass die Sägezähne nicht im Material stecken. Falls das Sägeblatt festgefressen ist, kann es sich beim Anlauf der Säge nach oben arbeiten oder aus dem Werkstück springen.
- d) Unterlegen Sie große Platten, um ein Verklemmen des Blattes und Rückschlag zu vermeiden. Große Werkstücke neigen dazu, unter ihrem Eigengewicht nachzugeben. An beiden Seiten des Werkstückes müssen Auflagen angebracht werden – nahe der Schnittlinie und an den Kanten des Werkstückes.

e) Benutzen Sie keine stumpfen oder beschädigten Sägeblätter.

Stumpfe oder unsachgemäß eingesetzte Sägeblätter erzeugen eine enge Schnittfuge und übermäßige Reibung, führen zum Festfressen des Blattes und zum Rückschlag.

f) Arretierungshebel für Schnitttiefe und Gehrung müssen straff und sicher angezogen sein, ehe Sie den Schnitt ausführen.

Falls sich die Sägeblatteinstellung während des Schnitts verschiebt, kann sich das Blatt festfressen und Rückschlag eintreten.

g) Wenden Sie beim Schneiden in Wände oder andere Blindbereiche besondere Vorsicht an.

Das vordringende Sägeblatt kann in Objekte eindringen, die einen Rückschlag verursachen.

Funktionsweise der unteren Schutzabdeckung

a) Prüfen Sie vor jedem Gebrauch, ob die untere Schutzabdeckung (Blattschutz) richtig schließt. Benutzen Sie die Säge nicht, wenn sich die untere Schutzabdeckung nicht frei bewegen lässt und sich nicht verzögerungsfrei schließt. Klemmen oder binden Sie die untere Schutzabdeckung niemals in geöffneter Position fest.

Falls die Säge aus Versehen fallen gelassen wird, kann sich die untere Schutzabdeckung verbiegen.

Ziehen Sie die untere Schutzabdeckung mit dem vorgesehenen Handgriff zurück und überzeugen Sie sich, dass sie sich frei bewegen lässt und in sämtlichen Schnittwinkeln und -tiefen nicht das Sägeblatt berührt.

b) Überprüfen Sie die einwandfreie Funktion der unteren Schutzabdeckungsfeder. Falls Schutzabdeckung (Blattschutz) und Feder nicht einwandfrei arbeiten sollten, müssen diese vor Arbeitsbeginn instandgesetzt werden.

Die untere Schutzabdeckung kann schwergängig werden, wenn Teile beschädigt sind, sich Gummiblagerungen oder sonstige Rückstände angesammelt haben.

c) Die untere Abdeckung lässt sich manuell zurückziehen. Dies darf nur für spezielle Schnitte wie Einstechschnitte und Schifterschnitte.

Heben Sie die untere Schutzabdeckung am vorgesehenen Handgriff an – sobald das Sägeblatt in das Werkstück eindringt, muss die Schutzabdeckung wieder losgelassen werden.

Bei allen anderen Sägearbeiten sollte die untere Schutzabdeckung automatisch betätigt werden.

d) Achten Sie immer darauf, dass die untere Schutzabdeckung (Blattschutz) das Sägeblatt umgibt, ehe Sie die Säge auf der Werkbank oder dem Boden absetzen.

Ein ungeschütztes, laufendes Sägeblatt löst eine Rückwärtsbewegung der Säge aus und zerschneidet alles, was sich im Weg befindet.

Beachten Sie die Zeit vom Abschalten bis zum Stillstand des Sägeblattes.

VORSICHTSMASSNAHMEN BEI DER BENUTZUNG DER KREISSÄGE

1. Nicht verbogene oder gerissene Sägeblätter verwenden.
2. Nicht Sägeblätter aus getempertem Stahl verwenden.
3. Nicht Sägeblätter verwenden, die nicht mit den in dieser Anweisung gegebenen Regeln übereinstimmen.
4. Nicht die Sägeblätter durch seitlichen Druck auf die Scheibe stoppen.
5. Die Sägeblätter immer scharf halten.
6. Stellen Sie sicher, dass sich die untere Schutzabdeckung (Blattschutz) reibungslos und frei bewegen lässt.
7. Benutzen Sie die Kreissäge niemals mit in offener Position fixierter unterer Schutzabdeckung (Blattschutz).
8. Immer sicherstellen, daß der Rückzugmechanismus des Schutzsystems richtig arbeitet.
9. Die Kreissäge nie mit schrägstehendem oder seitlich stehendem Sägeblatt einsetzen.
10. Immer darauf achten, daß das Werkstück keine fremden Gegenstände wie Nägel enthält.
11. Für Modell C6SS soll der Sägeblattbereich von 165 mm bis 160 mm reichen.
Für Modell C7SS soll der Sägeblattbereich von 190 mm bis 185 mm reichen.
12. Ziehen Sie den Stecker des Netzkabels aus der Steckdose, bevor Sie Einstellungen, Pflege oder Wartung durchführen.

TECHNISCHE DATEN

Modell		C6SS	C7SS
Spannung (je nach Gebiet)*		(110 V, 230 V) ~	
Schnitttiefe	90°	57 mm	68 mm
	45°	38 mm	46 mm
Leistungsaufnahme*		110 V: 1010 W, 230 V: 1050 W	
Leeraufdrehzahl		5500 min ⁻¹	
Gewicht (ohne Kabel)		3,2 kg	3,4 kg

*Vergessen Sie nicht, die Produktangaben auf dem Typenschild zu überprüfen, da sich diese je nach Verkaufsgebiet ändern.

STANDARDZUBEHÖR

- (1) Sägeblatt (am Werkzeug befestigt) 1
 (Durchmesser 165 mm C6SS)
 (Durchmesser 190 mm C7SS)
- (2) Sechskantschlüssel 1

Das Standardzubehör kann ohne vorherige Bekanntmachung jederzeit geändert werden.

SONDERZUBEHÖR (separat zu beziehen)

- (1) Staubfangsatz (D)
 Schließen Sie den Saugschlauch zum Absaugen von Staub an dem Staubsauger an (siehe **Abb. 9**).
- (2) Unterlegscheibe (A)
 für 20 mm (Lochdurch messern des Sägeblattes)
 für 30 mm (Lochdurch messern des Sägeblattes)
- (3) Parallelanschlag (mit Flügelschraube)

Das Sonderzubehör kann ohne vorherige Bekanntmachung jederzeit geändert werden.

ANWENDUNG

Schneiden verschiedener Holzarten.

VOR INBETRIEBNAHME

1. **Netzspannung**
 Prüfen, daß die zu verwendende Netzspannung der Angabe auf dem Typenschild entspricht.
2. **Netzschalter**
 Prüfen, daß der Netzschalter auf "AUS" steht. Wenn der Stecker an das Netz angeschlossen wird, während der Schalter auf "EIN" steht, beginnt das Werkzeug sofort zu laufen, was gefährlich ist.
3. **Verlängerungskabel**
 Wenn der Arbeitsbereich nicht in der Nähe des Netzanschlusses liegt, ist ein Verlängerungskabel ausreichenden Querschnitts und ausreichender Nennleistung zu verwenden. Das Verlängerungskabel sollte so kurz wie möglich gehalten werden.
4. **Schaffung einer hölzernen Werkbank (Abb. 1)**
 Da das Sägeblatt über die Unterkante des Schnittholzes hinausragt, wird das Schnittholz beim Schneiden auf eine Werkbank gelegt. Wenn ein Holzklötz als Untergestell verwendet wird, ist ein ebener Untergrund zu wählen, damit dieser fest liegt. Ein nichtstabiles Untergestell ist gefährlich.

ACHTUNG

Um einen möglichen Unfall zu vermeiden, ist immer darauf zu achten, daß der nach dem Schneiden verbleibende Teil des geschnittenen Holzes gut verankert ist oder in Position gehalten wird.

5. **Aufbewahrung des Sechskantschlüssels (Abb. 8)**
 Der Sechskantschlüssel zum An- und Abschrauben des Sägeblattes kann im Griff verstaut werden.

JUSTAGE DES ELEKTROWERKEUGS VOR DEM GEBRAUCH

1. Einstellen der Schnitttiefe

Die Schnitttiefe kann durch Verschieben der Grundplatte nach Lösen des Hebels (A) justiert werden (**Abb. 2**).

VORSICHT

Es besteht große Gefahr, wenn dieser Hebel (A) nicht wieder fest angezogen wird. Ziehen Sie sie immer fest an.

2. Einstellen des Schrägwinkels

Durch Lösen der Flügelschraube an der Skala kann die Säge bis zu einem Maximalwinkel von 45° relativ zur Grundplatte geneigt werden (**Abb. 3**).

Der Schrägwinkel kann auch durch Lösen der Flügelschraube an der Skala eingestellt werden (**Abb. 3**).

VORSICHT

Eine gelöste Flügelschraube stellt eine erhebliche Gefahrenquelle dar. Ziehen Sie sie immer fest an.

3. Einstellen des Parallelanschlags (Sonderzubehör)

Die Schneidposition kann durch Verschieben des Parallelanschlags (nach Lösen der Flügelschraube) nach links oder rechts eingestellt werden.

Der Parallelanschlag kann auf der linken oder rechten Seite angebracht werden.

SCHNEIDEVERFAHREN

1. Setzen Sie das Sägegehäuse (Grundplatte) auf das Holz auf und richten Sie die Schnittlinie mit dem Sägeblatt an der Frontskala aus (**Abb. 4**).
2. Schalten Sie den Schalter EIN (ON), bevor das Sägeblatt das Holz berührt. Der Schalter wird beim Betätigen des Drückers EINGeschaltet (ON); und abgeschaltet (OFF), wenn der Drücker losgelassen wird.

VORSICHT

Machen Sie sich vor jeder Schneid Tätigkeit mit dem zu schneidenden Material vertraut. Falls das zu schneidende Material voraussichtlich schädliche oder giftige Stäube freisetzt, achten Sie in jedem Fall darauf, den Staubbeutel oder ein geeignetes Staubabsaugsystem ordnungsgemäß an den Staubauslass anzuschließen. Tragen Sie am besten eine Staubschutzmaske, wenn vorhanden.

- Warten Sie, bevor Sie mit dem Sägen beginnen, bis das Sägeblatt seine volle Umdrehungsgeschwindigkeit erreicht hat.
- Sollte das Sägeblatt während der Arbeit anhalten oder ungewöhnliche Geräusche von sich geben, schalten Sie das Gerät sofort AUS (OFF).
- Achten Sie immer darauf, dass das Netzkabel nicht in die Nähe des rotierenden Sägeblattes gerät.
- Der Einsatz der Kreissäge mit nach oben oder zur Seite weisendem Sägeblatt ist sehr gefährlich. Vermeiden Sie solche abweichenden Arbeiten.
- Tragen Sie beim Schneiden von Werkstücken grundsätzlich eine Schutzbrille.
- Wenn Sie mit der Arbeit fertig sind, ziehen Sie immer den Netzstecker.

ANBRINGEN UND ENTFERNEN DES SÄGEBLATTES

ACHTUNG

Als Vorbeugemaßnahme gegen Unfälle ist darauf zu achten, daß der Schalter auf "AUS" steht und der Netzanschluß unterbrochen ist.

1. Ausbauen des Sägeblattes

- (1) Die Grundplatte auf maximale Schnitttiefe einstellen und die Kreissäge wie in **Abb. 5** gezeigt ausrichten.
- (2) Drücken Sie den Sperrhebel nieder, arretieren Sie die Welle und entfernen Sie die Sechskantschraube mit dem Sechskantschlüssel.
- (3) Halten Sie den unteren Schutzabdeckungshebel fest, um die untere Schutzabdeckung (Blattschutz) vollständig in den Sägeblattdeckel zurückzuziehen, und entnehmen Sie das Sägeblatt.

2. Einbauen des Sägeblattes

- (1) Sägemehl von Achse und Unterlegscheiben abwischen.
- (2) Gemäß **Abb. 6** muß die Seite der Unterlegscheibe (A) mit einem vorstehenden Mittelstück mit demselben Durchmesser wie der Innendurchmesser des Sägeblattes und die konkave Seite der Unterlegscheibe (B) an beiden Seiten des Sägeblattes angebracht werden.

* Im Lieferumfang ist eine Unterlegscheibe (A) für die zwei Sägeblatttypen mit den Lochdurchmessern 20 mm und 30 mm enthalten.

(Beim Kauf der Kreissäge wird ein Unterlegscheibentyp (A) mitgeliefert).

Falls der Lochdurchmesser Ihres Sägeblattes nicht der Unterlegscheibengröße (A) entspricht, wenden Sie sich bitte an den Fachhandel, bei dem die Kreissäge gekauft wurde.

- (3) Das Sägeblatt so montieren, daß der Pfeil auf dem Sägeblatt auf den Pfeil auf dem Sägeblattdeckel ausgerichtet ist.

- (4) Ziehen Sie die Sechskantschraube, die das Sägeblatt hält, mit den Fingern so fest wie möglich an. Dann drücken Sie den Sperrhebel nieder, arretieren Sie die Welle und ziehen Sie die Sechskantschraube vollständig an.

VORSICHT

Nach dem Anbringen des neuen Sägeblattes sich vergewissern, daß der Sperrhebel in die vorgeschriebene Position gestellt ist.

WARTUNG UND INSPEKTION

1. Inspektion des Sägeblattes

Da durch ein stumpfes Sägeblatt die Leistung abnimmt und ein mögliches Versagen des Motors verursacht wird, muß das Sägeblatt geschärft oder ersetzt werden, sobald Verschleiß festgestellt wird.

2. Inspektion der Befestigungsschrauben

Alle Befestigungsschrauben werden regelmäßig inspiziert und geprüft, ob sie gut angezogen sind. Wenn sich eine der Schrauben lockert, muß sie sofort wieder angezogen werden. Geschieht das nicht, kann das zu erheblichen Gefahren führen.

3. Wartung des Motors

Die Motorwicklung ist das "Herz" des Elektrowerkzeugs. Daher ist besonders sorgfältig darauf zu achten, daß die Wicklung nicht beschädigt wird und/oder mit Öl oder Wasser in Berührung kommt.

4. Inspektion der Kohlebürsten

Zur Erhaltung Ihrer Sicherheit und des Schutzes gegen elektrischen Schlag sollten Inspektion und Auswechseln der Kohlebürsten nur durch ein Autorisiertes HiKOKI-Wartungszentrum durchgeführt werden.

5. Auswechseln des Netzkabels

Sollte das Stromkabel ausgetauscht werden müssen, muss das durch den Hersteller dieses Werkzeugs erfolgen, um ein Sicherheitsrisiko zu vermeiden.

6. Einstellen der Rechtwinkligkeit zwischen Auflage und Sägeblatt

Ursprünglich wurde der Winkel zwischen Sägeblatt und Auflage auf einen Winkel von 90° eingestellt.

Geht die Rechtwinkligkeit jedoch verloren, in folgender Reihenfolge berichtigen:

- (1) Drehen Sie die Basis nach oben (**Abb. 7**) und lockern Sie die Flügelschraube (**Abb. 3**).
- (2) Einen Winkel an Auflage und Sägeblatt anlegen und die Schaftschraube mit einem Treiber drehen, um so die Auflage zu verschieben. Auflage und Sägeblatt so einstellen, da eine Rechtwinkligkeit hergestellt wird.

7. Wartung der unteren Schutzabdeckung

Halten Sie für eine sichere und ordnungsgemäße Funktion die Maschine und die Lüftungsschlitze immer sauber. Die untere Schutzabdeckung muss immer frei beweglich sein und automatisch eingezogen werden können. Halten Sie daher den Bereich rund um die untere Schutzabdeckung immer sauber. Entfernen Sie Staub und Späne, indem Sie den Bereich mit Druckluft ausblasen oder eine Bürste benutzen.

8. Liste der Wartungsteile

ACHTUNG

Reparatur, Modifikation und Inspektion von HiKOKI-Elektrowerkzeugen müssen durch ein autorisiertes HiKOKI-Kundendienstzentrum durchgeführt werden. Diese Teileliste ist hilfreich, wenn sie dem autorisierten HiKOKI-Kundendienstzentrum zusammen mit dem Werkzeug für Reparatur oder Wartung ausgehändigt wird.

Bei Betrieb und Wartung von Elektrowerkzeugen müssen die Sicherheitsvorschriften und Normen beachtet werden.

MODIFIKATIONEN

HiKOKI-Elektrowerkzeuge werden fortwährend verbessert und modifiziert, um die neuesten technischen Fortschritte einzubauen.

Dementsprechend ist es möglich, daß einige Teile ohne vorherige Benachrichtigung geändert werden.

GARANTIE

Auf HiKOKI-Elektrowerkzeuge gewähren wir eine Garantie unter Zugrundelegung der jeweils geltenden gesetzlichen und landesspezifischen Bedingungen. Dieses Garantie erstreckt sich nicht auf Gehäusedefekte und nicht auf Schäden, die auf Missbrauch, bestimmungswidrigen Einsatz oder normalen Verschleiß zurückzuführen sind. Im Schadensfall senden Sie das nicht zerlegte Elektrowerkzeug zusammen mit dem GARANTIESCHEIN, den Sie am Ende der Bedienungsanleitung finden, an ein von HiKOKI autorisiertes Servicecenter.

ANMERKUNG

Aufgrund des ständigen Forschungs- und Entwicklungsprogramms von HiKOKI sind Änderungen der hierin gemachten technischen Angaben nicht ausgeschlossen.

Information über Betriebslärm und Vibration

Die gemessenen Werte wurden entsprechend EN60745 bestimmt und in Übereinstimmung mit ISO 4871 ausgewiesen.

C6SS

Gemessener A-gewichteter Schallpegel:	106 dB(A)
Gemessener A-gewichteter Schalldruck:	95 dB(A)
Messunsicherheit KpA:	3 dB(A)

C7SS

Gemessener A-gewichteter Schallpegel:	106 dB(A)
Gemessener A-gewichteter Schalldruck:	95 dB(A)
Messunsicherheit KpA:	3 dB(A)

Bei der Arbeit immer einen Gehörschutz tragen.

Gesamtvibrationswerte (3-Achsen-Vektorsumme), bestimmt gemäß EN60745.

Sägen von Spanholz:

C6SS

Vibrationsemissionswert $a_h = 2,4 \text{ m/s}^2$
Messunsicherheit $K = 1,5 \text{ m/s}^2$

C7SS

Vibrationsemissionswert $a_h = 5,9 \text{ m/s}^2$
Messunsicherheit $K = 1,5 \text{ m/s}^2$

Die angegebenen Gesamtvibrationswerte wurden entsprechend einem standardisierten Testverfahren gemessen und können dazu verwendet werden, Werkzeuge miteinander zu vergleichen.

Außerdem können sie zur vorbereitenden Expositionseinschätzung verwendet werden.

WARNUNG

- Der Vibrationsemissionswert während der tatsächlichen Benutzung des Elektrowerkzeugs kann von dem deklarierten Gesamtwert abweichen, abhängig davon, wie das Werkzeug verwendet wird.
- Legen Sie Sicherheitsmaßnahmen zum Schutz des Bedieners fest, die auf einer Expositionseinschätzung unter den tatsächlichen Benutzungsbedingungen beruhen (unter Berücksichtigung aller Bereiche des Betriebszyklus, darunter neben der Triggerzeit auch die Zeiten, in denen das Werkzeug ausgeschaltet ist oder im Leerlaufbetrieb läuft).

AVERTISSEMENTS DE SÉCURITÉ GÉNÉRAUX POUR L'OUTIL

AVERTISSEMENT

Lire tous les avertissements de sécurité et toutes les instructions.

Ne pas suivre les avertissements et instructions peut donner lieu à un choc électrique, un incendie et/ou une blessure sérieuse.

Conserver tous les avertissements et toutes les instructions pour pouvoir s'y reporter ultérieurement.

Le terme "outil" dans les avertissements fait référence à votre outil électrique alimenté par le secteur (avec cordon d'alimentation) ou votre outil fonctionnant sur batterie (sans cordon d'alimentation).

1) Sécurité de la zone de travail

- Conservé la zone de travail propre et bien éclairée.
Les zones en désordre ou sombres sont propices aux accidents.
- Ne pas faire fonctionner les outils électriques en atmosphère explosive, par exemple en présence de liquides inflammables, de gaz ou de poussières.
Les outils électriques produisent des étincelles qui peuvent enflammer les poussières ou les fumées.
- Maintenir les enfants et les personnes présentes à l'écart pendant l'utilisation de l'outil.
Les distractions peuvent vous faire perdre le contrôle de l'outil.

2) Sécurité électrique

- Il faut que les fiches de l'outil électrique soient adaptées au socle.
Ne jamais modifier la fiche de quelque façon que ce soit.
Ne pas utiliser d'adaptateurs avec des outils à branchement de terre.
Des fiches non modifiées et des socles adaptés réduiront le risque de choc électrique.
- Éviter tout contact du corps avec des surfaces reliées à la terre telles que les tuyaux, les radiateurs, les cuisinières et les réfrigérateurs.
Il existe un risque accru de choc électrique si votre corps est relié à la terre.
- Ne pas exposer les outils à la pluie ou à des conditions humides.
La pénétration d'eau à l'intérieur d'un outil augmentera le risque de choc électrique.
- Ne pas maltraiter le cordon. Ne jamais utiliser le cordon pour porter, tirer ou débrancher l'outil. Maintenir le cordon à l'écart de la chaleur, du lubrifiant, des arêtes ou des parties en mouvement.
Des cordons endommagés ou emmêlés augmentent le risque de choc électrique.
- Lorsqu'on utilise un outil à l'extérieur, utiliser un prolongateur adapté à l'utilisation extérieure.
L'utilisation d'un cordon adapté à l'utilisation extérieure réduit le risque de choc électrique.
- Si l'usage d'un outil dans un emplacement humide est inévitable, utiliser une alimentation protégée par un dispositif à courant différentiel résiduel (RCD).
L'usage d'un RCD réduit le risque de choc électrique.

3) Sécurité des personnes

- Rester vigilant, regarder ce que vous êtes en train de faire et faire preuve de bon sens dans votre utilisation de l'outil. Ne pas utiliser un outil lorsque vous êtes fatigué ou sous l'emprise de drogues, d'alcool ou de médicaments.

Un moment d'inattention en cours d'utilisation d'un outil peut entraîner des blessures graves des personnes.

- Utiliser un équipement de sécurité. Toujours porter une protection pour les yeux.**
Les équipements de sécurité tels que les masques contre les poussières, les chaussures de sécurité antidérapantes, les casques ou les protections acoustiques utilisés pour les conditions appropriées réduiront les blessures de personnes.
 - Éviter tout démarrage intempestif. S'assurer que l'interrupteur est en position arrêt avant de brancher l'outil au secteur et/ou au bloc de batteries, de le ramasser ou de le porter.**
Porter les outils en ayant le doigt sur l'interrupteur ou brancher des outils dont l'interrupteur est en position marche est source d'accidents.
 - Retirer toute clé de réglage avant de mettre l'outil en marche.**
Une clé laissée fixée sur une partie tournante de l'outil peut donner lieu à des blessures de personnes.
 - Ne pas se précipiter. Garder une position et un équilibre adaptés à tout moment.**
Cela permet un meilleur contrôle de l'outil dans des situations inattendues.
 - S'habiller de manière adaptée. Ne pas porter de vêtements amples ou de bijoux. Garder les cheveux, les vêtements et les gants à distance des parties en mouvement.**
Des vêtements amples, des bijoux ou les cheveux longs peuvent être pris dans des parties en mouvement.
 - Si des dispositifs sont fournis pour le raccordement d'équipements pour l'extraction et la récupération des poussières, s'assurer qu'ils sont connectés et correctement utilisés.**
Utiliser des collecteurs de poussière peut réduire les risques dus aux poussières.
- #### 4) Utilisation et entretien de l'outil
- Ne pas forcer l'outil. Utiliser l'outil adapté à votre application.**
L'outil adapté réalisera mieux le travail et de manière plus sûre au régime pour lequel il a été construit.
 - Ne pas utiliser l'outil si l'interrupteur ne permet pas de passer de l'état de marche à arrêt et vice versa.**
Tout outil qui ne peut pas être commandé par l'interrupteur est dangereux et il faut le réparer.
 - Débrancher la fiche de la source d'alimentation en courant et/ou le bloc de batteries de l'outil avant tout réglage, changement d'accessoires ou avant de ranger l'outil.**
De telles mesures de sécurité préventives réduisent le risque de démarrage accidentel de l'outil.
 - Conserver les outils à l'arrêt hors de la portée des enfants et ne pas permettre à des personnes ne connaissant pas l'outil ou les présentes instructions de le faire fonctionner.**
Les outils sont dangereux entre les mains d'utilisateurs novices.
 - Observer la maintenance de l'outil. Vérifier qu'il n'y a pas de mauvais alignement ou de blocage des parties mobiles, des pièces cassées ou toute autre condition pouvant affecter le fonctionnement de l'outil.**
En cas de dommages, faire réparer l'outil avant de l'utiliser.
De nombreux accidents sont dus à des outils mal entretenus.

- f) **Garder affûtés et propres les outils permettant de couper.**

Des outils destinés à couper correctement entretenus avec des pièces coupantes tranchantes sont moins susceptibles de bloquer et sont plus faciles à contrôler.

- g) **Utiliser l'outil, les accessoires et les lames etc., conformément à ces instructions, en tenant compte des conditions de travail et du travail à réaliser.**

L'utilisation de l'outil pour des opérations différentes de celles prévues pourrait donner lieu à des situations dangereuses.

5) Maintenance et entretien

- a) **Faire entretenir l'outil par un réparateur qualifié utilisant uniquement des pièces de rechange identiques.**

Cela assurera le maintien de la sécurité de l'outil.

PRECAUTIONS

Maintenir les enfants et les personnes infirmes éloignés.

Lorsque les outils ne sont pas utilisés, ils doivent être rangés hors de portée des enfants et des personnes infirmes.

AVERTISSEMENTS DE SÉCURITÉ RELATIFS À LA SCIE CIRCULAIRE

Procédures de coupe

- a) **⚠ DANGER: N'approchez pas les mains de la zone de coupe et de la lame. Gardez la deuxième main sur la poignée auxiliaire ou sur le boîtier du moteur.**

Si les deux mains tiennent la scie, elles ne peuvent pas être coupées par la lame.

- b) **N'exposez aucune partie de votre corps sous la pièce à travailler.**

Le protecteur ne peut pas vous protéger de la lame sous la pièce à travailler.

- c) **Ajustez la profondeur de coupe à l'épaisseur de la pièce à travailler.**

Il convient que moins de la totalité d'une dent parmi toutes les dents de la lame soit visible sous la pièce à travailler.

- d) **Ne tenez jamais la pièce à débiter dans vos mains ou sur vos jambes. Assurez-vous que la pièce à travailler se trouve sur une plate-forme stable.**

Il est important que la pièce à travailler soit soutenue convenablement, afin de minimiser l'exposition du corps, le grippage de la lame, ou la perte de contrôle.

- e) **Maintenez l'outil uniquement par les surfaces de prise isolantes, si l'outil coupant, en marche, peut être en contact avec des conducteurs cachés ou avec son propre cordon d'alimentation.**

Le contact avec un fil "sous tension" mettra également "sous tension" les parties métalliques exposées de l'outil et pourra provoquer un choc électrique sur l'opérateur.

- f) **Lors d'une coupe, utilisez toujours un guide parallèle ou un guide à bords droits.**

Cela améliore la précision de la coupe et réduit les risques de grippage de la lame.

- g) **Utilisez toujours des lames dont la taille et la forme (diamètre et rond) des alésages centraux sont convenables.**

Les lames qui ne correspondent pas aux éléments de montage de la scie ne fonctionneront pas bien, provoquant une perte de contrôle.

- h) **N'utilisez jamais de rondelles ou de boulons de lames endommagés ou inadaptés.**

Les rondelles et les boulons de lames ont été spécialement conçus pour votre scie, afin de garantir une performance optimale et une sécurité de fonctionnement.

Causes du recul et mises en garde correspondantes

- *le recul est une réaction soudaine observée sur une lame de scie pincée, bloquée ou mal alignée, faisant sortir la scie de la pièce à travailler de manière incontrôlée dans la direction de l'opérateur;*
- *lorsque la lame est pincée ou bloquée fermement par le fond du trait de scie, la lame se bloque et le moteur fait retourner brutalement le bloc à l'opérateur;*
- *si la lame se tord ou est mal alignée lors de la coupe, les dents sur le bord arrière de la lame peuvent creuser la face supérieure du bois, ce qui fait que la lame sort du trait de scie et est projetée sur l'opérateur.*

Le recul est le résultat d'un mauvais usage de la scie et/ou de procédures ou de conditions de fonctionnement incorrectes et peut être évité en prenant les précautions adéquates spécifiées ci-dessous.

- a) **Maintenez fermement la scie avec les deux mains et positionnez vos bras afin de résister aux forces de recul. Positionnez votre corps d'un des côtés de la lame, mais pas dans l'alignement de la lame.**

Le recul peut faire revenir la scie en arrière, mais les forces de recul peuvent être maîtrisées par l'opérateur, si les précautions adéquates sont prises.

- b) **Lorsque la lame est grippée ou lorsqu'une coupe est interrompue pour quelque raison que ce soit, relâchez le bouton de commande et maintenez la scie immobile dans le matériau, jusqu'à ce que la lame arrête complètement de fonctionner.**

N'essayez jamais de retirer la scie de la pièce à travailler ou tirez la scie en arrière pendant que la lame est en mouvement ou que le recul peut se produire.

Recherchez et prenez des mesures correctives afin d'empêcher que la lame ne se grippe.

- c) **Lorsque vous remettez en marche une scie dans la pièce à travailler, centrez la lame de scie dans le trait de scie et vérifiez que les dents de la scie ne soient pas rentrées dans le matériau.**

Si la lame de scie est grippée, elle peut venir chevaucher la pièce à travailler ou en sortir lorsque la scie est remise en fonctionnement.

- d) **Placez des panneaux de grande taille sur un support afin de minimiser les risques de pincement de la lame et de recul.**

Les grands panneaux ont tendance à fléchir sous leur propre poids. Les supports doivent être placés sous le panneau des deux côtés, près de la ligne de coupe et près du bord du panneau.

- e) **N'utilisez pas de lames émoussées ou endommagées.**

Des lames non aiguisées ou mal fixées entraînent un trait de scie rétréci, provoquant trop de frottements, un grippage de la lame et un recul.

- f) **La profondeur de la lame et les leviers de verrouillage et de réglage du biseau doivent être solides et stables avant de réaliser la coupe.**

Si l'ajustement de la lame dérive pendant la coupe, cela peut provoquer un grippage et un recul.

- g) **Soyez d'autant plus prudent lorsque vous découpez des parois existantes ou d'autres zones sans visibilité.**

La lame saillante peut couper des objets qui peuvent entraîner un recul.

Fonctionnement du protecteur inférieur

- a) **Vérifiez que le protecteur inférieur soit bien fermé avant chaque utilisation.**

Ne mettez pas la scie en marche si le protecteur inférieur ne se déplace pas librement et ne se ferme pas instantanément. Ne serrez jamais ou n'attachez jamais le protecteur inférieur en position ouverte.

Si la scie tombe accidentellement, le protecteur inférieur peut se tordre. Soulevez le protecteur inférieur avec la poignée rétractive et assurez-vous qu'il bouge librement et n'est pas en contact avec la lame ou toute autre partie, à tous les angles et profondeurs de coupe.

- b) **Vérifiez le fonctionnement du ressort du protecteur inférieur. Si le protecteur et le ressort ne fonctionnent pas correctement, ils doivent être révisés avant utilisation.**

Le protecteur inférieur peut fonctionner lentement en raison d'éléments endommagés, de dépôts collants ou de l'accumulation de débris.

- c) **Le protecteur inférieur peut revenir se loger manuellement uniquement pour les coupes particulières telles que les "coupes plongeantes" et les "coupes complexes". Soulevez le protecteur inférieur par la poignée rétractive et dès que la lame entre dans le matériau, le protecteur inférieur doit être relâché.**

Pour toutes les autres coupes, il convient que le protecteur inférieur fonctionne automatiquement.

- d) **Vérifiez toujours que le protecteur inférieur recouvre la lame avant de poser la scie sur un établi ou sur le sol.**

Une lame non protégée et continuant à fonctionner par inertie entraînera la scie en arrière, et coupera alors tout ce qui se trouve sur sa trajectoire. Soyez conscient du temps nécessaire à la lame pour s'arrêter après que l'interrupteur est relâché.

PRECAUTIONS POUR L'UTILISATION DE LA SCIE CIRCULAIRE

1. Ne pas utiliser de lames déformées ou fendues.
2. Ne pas utiliser de lames en acier à coupe rapide.
3. Ne pas utiliser de lames ne correspondant pas aux caractéristiques spécifiées dans ces instructions.
4. Ne pas arrêter les lames de la scie par pression latérale sur le disque.
5. Conserver toujours les lames aiguisées.
6. Veiller à ce que le protecteur inférieur se déplace doucement et librement.
7. Ne jamais utiliser la scie circulaire avec son protecteur fixé en position ouverte.
8. S'assurer que le mécanisme de rétraction du système de protection fonctionne correctement.
9. Ne jamais utiliser la scie circulaire avec la lame tournée vers le haut ou sur le côté.
10. Vérifier que la pièce à couper est dépourvue de corps étrangers comme des clous.
11. Pour le modèle C6SS, la plage de tailles des lames de la scie va de 165 mm à 160 mm.
Pour le modèle C7SS, la plage de tailles des lames de la scie va de 190 mm à 185 mm.
12. Débrancher la fiche de la prise avant toute opération de réglage, réparation ou entretien.

SPECIFICATIONS

Modèle		C6SS	C7SS
Tension (par zone)*		(110 V, 230 V) ~	
Profondeur de coupe	90°	57 mm	68 mm
	45°	38 mm	46 mm
Puissance*		110 V: 1010 W, 230 V: 1050 W	
Vitesse hors charge		5500 min ⁻¹	
Poids (sans fil)		3,2 kg	3,4 kg

*Assurez-vous de vérifier la plaque signalétique sur le produit qui peut changer suivant les régions.

ACCESSOIRES STANDARD

- (1) Lame de scie (montée sur l'outil) 1
 (Diam. 165 mm C6SS)
 (Diam. 190 mm C7SS)

- (2) Clé à barre héx 1

Les accessoires standard sont sujets à changement sans préavis.

ACCESSOIRES EN OPTION (Vendus séparément)

- (1) Ensemble de collecteur à poussière (D)
 Connecter le tuyau de l'aspirateur (voir la Fig. 9).
- (2) Rondelle (A)
 pour 20 mm (diam. d'orifice de la lame de scie)
 pour 30 mm (diam. d'orifice de la lame de scie)
- (3) Guide (avec boulon-papillon)

Les accessoires en option sont sujets à changement sans préavis.

APPLICATION

La coupe du bois.

AVANT LA MISE EN MARCHÉ

1. Source de puissance

S'assurer que la source de puissance à utiliser correspond à la puissance indiquée sur la plaque signalétique du produit.

2. Interrupteur de puissance

S'assurer que l'interrupteur de puissance est en position ARRET. Si la fiche est branchée alors que l'interrupteur est sur MARCHE, l'outil démarre immédiatement et peut provoquer un grave accident.

3. Fil de rallonge

Lorsque la zone de travail est éloignée de la source de puissance, utiliser un fil de rallonge d'une épaisseur suffisante et d'une capacité nominale suffisante. Le fil de rallonge doit être aussi court que possible.

4. Préparation d'un support en bois (Fig. 1)

Pour que la lame dépassera la surface inférieure du morceau de bois, placer le morceau de bois sur un support pour la coupe. Si vous utilisez un bloc carré, choisissez un sol plat pour être sûr qu'il repose de manière stable. Un support instable peut entraîner un fonctionnement dangereux.

ATTENTION

Afin d'éviter un possible accident, s'assurer toujours que la portion de bois restant après la coupe est bien ancrée ou maintenue en place.

5. Rangement de la clé à barre hex. (Fig. 8)

La clé à barre hex. utilisée pour la fixation et le démontage de la lame de scie peut être rangée dans la poignée.

REGLAGE DE L'OUTIL ELECTRIQUE AVANT UTILISATION

1. Réglage de la profondeur de coupe

La profondeur de coupe peut être réglée en déplaçant la base après avoir desserré son levier (A) (Fig. 2).

ATTENTION

Si le levier (A) reste desserré, cela engendrera une situation très dangereuse. Toujours bien le fixer.

2. Réglage de l'angle d'inclinaison

En desserrant le boulon à ailettes sur l'échelle, la lame de la scie peut être inclinée jusqu'à un angle de 45° contre la base (Fig. 3).

L'angle d'inclinaison peut également être réglé en desserrant le boulon à ailettes sur l'échelle (Fig. 3).

ATTENTION

Il est très dangereux de laisser ce boulon à ailettes desserré. Toujours bien le fixer.

3. Réglage du guide (Accessoire en option)

La position de coupe peut être ajustée en déplaçant le guide vers la gauche ou vers la droite après avoir desserré son boulon à ailettes.

Le guide peut être monté soit sur la gauche, soit sur la droite.

PROCEDURES DE COUPAGE

1. Placer le corps de la scie (base) sur le bois de construction et aligner la ligne de coupe avec la lame de scie sur l'échelle avant (Fig. 4).
2. Mettre l'interrupteur sur ON avant que la lame de la scie entre en contact avec le bois de construction. L'interrupteur se met sur ON lorsque le déclencheur est pressé et sur OFF lorsque le déclencheur est relâché.

MISES EN GARDE

Avant de procéder à la coupe, assurez-vous du matériau que vous allez couper. Si le matériau est susceptible de générer de la poussière dangereuse/toxique, veillez à connecter le sac à sciures ou le système de collection de poussière approprié en fixant la sortie des sciures correctement.

Portez un masque anti-poussière, si disponible.

- Avant de démarrer la scie, s'assurer que la lame de scie a atteint sa vitesse de régime.
- Si la lame de scie s'arrête ou émet un bruit anormal, mettre l'interrupteur sur OFF rapidement.
- Toujours veiller à ce que le cordon d'alimentation ne soit pas à proximité de la lame de la scie.
- Utiliser la scie circulaire avec la lame de scie vers le haut ou vers le côté est dangereux. De telles applications doivent être évitées.
- En coupant des matériaux, toujours porter des lunettes de protection.
- Une fois un travail terminé, débrancher le cordon d'alimentation de la prise secteur.

MONTAGE ET DEMONTAGE DE LA LAME

ATTENTION

Pour éviter un grave accident, s'assurer que l'interrupteur est en position ARRET et que la source de puissance est débranchée.

1. Dépose de la lame de la scie

- (1) Régler le volume de coupe au maximum, et placer la scie circulaire suivant la Fig. 5.
- (2) Agir sur le levier de la goupille, verrouiller l'arbre et enlever le boulon à tête creuse hexagonale à l'aide de la clé à barre hex.
- (3) Tout en maintenant le levier du protecteur inférieur rétracté au maximum dans le couvercle de la scie, retirer la lame de la scie.

2. Mise en place de la lame de scie

- (1) Enlever toute sciure présente sur l'arbre et les rondelles.
- (2) Suivant la Fig. 6, le côté de la rondelle (A) qui a une partie centrale avancée du même diamètre que le diamètre intérieur de la lame et le côté concave de la rondelle (B) doivent être fixés aux côtés de la lame de la scie.

* La rondelle (A) est fournie pour les deux types de lame de scie de diamètre d'orifice de 20 mm et 30 mm (lors de l'achat de la scie circulaire, un type de rondelle (A) est fourni).

- Si le diamètre d'orifice de la lame de scie ne correspond pas à la rondelle (A), consulter le vendeur de la scie circulaire.
- (3) Monter la scie de telle sorte que sa flèche soit alignée avec celle prévue sur le couvercle de scie.

- (4) Serrer autant que possible avec les doigts le boulon à tête creuse hexagonale fixant la lame de scie. Appuyer ensuite sur le levier de verrouillage, verrouiller la tige et bien serrer le boulon à tête creuse hexagonale.

ATTENTION

Lorsque la lame de la scie est montée, vérifier que le levier de blocage est bien fixé dans la position indiquée.

ENTRETIEN ET CONTROLE

1. Contrôle de la lame

Comme une lame émoussée diminue l'efficacité et peut provoquer un mauvais fonctionnement, aiguiser et remplacer la lame dès que des traces d'abrasion sont visibles.

2. Contrôle des vis de montage

Vérifier régulièrement les vis de montage et s'assurer qu'elles sont correctement serrées. Resserrer immédiatement toute vis desserrée. Sinon, il y a danger sérieux.

3. Entretien du moteur

Le bobinage de l'ensemble moteur est le "cœur" même de l'outil électro-portatif. Veiller soigneusement à ce que ce bobinage ne soit pas endommagé et/ou mouillé par de l'huile ou de l'eau.

4. Inspection des balais en carbone

Pour assurer à tout moment la sécurité et la protection contre les chocs électrique, confier l'inspection et le remplacement des balais en carbone de l'outil EXCLUSIVEMENT à un centre de service après-vente HiKOKI agréé.

5. Remplacement du cordon d'alimentation

Si le cordon d'alimentation doit être remplacé, faites appel au fabricant du présent outil pour éviter tout risque.

6. Réglage de l'équerre entre la base et la lame de scie

L'angle formé par la lame de scie et la base de la machine a été réglé en usine pour rester à 90°; si cet angle est modifié régler comme suit:

- (1) Placer la base vers le haut (**Fig. 7**) et desserrer le boulon-papillon (**Fig. 3**).
- (2) Placer une équerre entre la base et la lame de scie et tourner la vis sans fin à l'aide d'un tournevis (-) de façon à modifier l'angle de la base, régler la base et la lame, de sorte qu'elles forment entre elles un angle droit parfait.

7. Entretien du protecteur inférieur

Pour un travail sûr et approprié, veiller à toujours garder la machine et les trous de ventilation propres. Le protecteur inférieur doit toujours pouvoir être en mesure de se déplacer librement et de se rétracter automatiquement. Par conséquent, toujours garder la zone autour du protecteur inférieur propre. Retirer poussière et copeaux par soufflage d'air comprimé ou au moyen d'une brosse.

8. Liste des pièces de rechange

ATTENTION

Les réparations, modifications et inspections des outils électriques HiKOKI doivent être confiées à un service après-vente HiKOKI agréé.

Il sera utile de présenter cette liste de pièces au service après-vente HiKOKI agréé lorsqu'on apporte un outil nécessitant des réparations ou tout autre entretien.

Lors de l'utilisation et de l'entretien d'un outil électrique, respecter les règlements et les normes de sécurité en vigueur dans le pays en question.

MODIFICATIONS

Les outils électriques HiKOKI sont constamment améliorés et modifiés afin d'incorporer les tous derniers progrès technologiques.

En conséquence, il est possible que certaines pièces soient modifiées sans avis préalable.

GARANTIE

Nous garantissons que l'ensemble des Outils électriques HiKOKI sont conformes aux réglementations spécifiques statutaires/nationales. Cette garantie ne couvre pas les défauts ni les dommages inhérents à une mauvaise utilisation, une utilisation abusive ou l'usure et les dommages normaux. En cas de réclamation, veuillez envoyer l'Outil électrique, en l'état, accompagné du CERTIFICAT DE GARANTIE qui se trouve à la fin du Mode d'emploi, dans un service d'entretien autorisé.

NOTE

Par suite du programme permanent de recherche et de développement HiKOKI, ces spécifications peuvent faire l'objet de modifications sans avis préalable.

Au sujet du bruit et des vibrations

Les valeurs mesurées ont été déterminées en fonction de la norme EN60745 et déclarées conforme à ISO 4871.

C6SS

Niveau de puissance acoustique pondérée A type: 106 dB(A)

Niveau de pression acoustique pondérée A type: 95 dB(A)

Incertitude KpA: 3 dB(A)

C7SS

Niveau de puissance acoustique pondérée A type: 106 dB(A)

Niveau de pression acoustique pondérée A type: 95 dB(A)

Incertitude KpA: 3 dB(A)

Porter une protection de l'ouïe.

Valeurs totales des vibration (somme vectorielle triaxiale) déterminée conformément à EN60745.

Couper du carton gris :

C6SS

Valeur d'émission de vibration $a_h = 2,4 \text{ m/s}^2$

Incertitude K = 1,5 m/s^2

C7SS

Valeur d'émission de vibration $a_h = 5,9 \text{ m/s}^2$

Incertitude K = 1,5 m/s^2

La valeur totale des vibrations a été mesurée par une méthode d'essai standard et peut être utilisée pour comparer un outil à un autre.

Elle peut également être utilisée pour une évaluation préliminaire du niveau d'exposition.

AVERTISSEMENT

- La valeur d'émission de vibration en fonctionnement de l'outil électrique peut être différente de la valeur totale déclarée, en fonction des utilisations de l'outil.
- Identification des mesures de protection de l'utilisateur fondées sur une estimation de l'exposition en conditions d'utilisation (tenant compte de tous les aspects du cycle d'utilisation, tels que les moments où l'outil est mis hors tension ou lorsqu'il tourne à vide en plus des temps de déclenchements).

AVVERTIMENTI GENERALI DI SICUREZZA SUGLI UTENSILI ELETTRICI

⚠ AVVERTENZA

Leggere tutti gli avvertimenti di sicurezza e tutte le istruzioni.

La mancata osservanza degli avvertimenti e delle istruzioni potrebbe essere causa di scosse elettriche, incendi e/o gravi lesioni.

Salvare tutti gli avvertimenti e le istruzioni per riferimenti futuri.

Il termine "elettroutensili" riportato nelle avvertenze si riferisce agli elettroutensili azionati con alimentazione di rete (via cavi) o a batterie (senza cavi).

1) Sicurezza dell'area operativa

- Mantenere l'area operativa pulita e ordinata.**
Aree operative sporche o disordinate possono favorire gli infortuni.
- Non utilizzare gli elettroutensili in atmosfere esplosive, ad es. in presenza di liquidi, gas o polveri infiammabili.**
Gli elettroutensili generano delle scintille che potrebbero accendere la polvere o i fumi.
- Tenere lontani bambini e astanti durante l'utilizzo degli elettroutensili.**
Qualsiasi distrazione può essere causa di perdita di controllo.

2) Sicurezza elettrica

- Le spine degli elettroutensili devono essere idonee alle prese disponibili.**
Non modificare mai le prese.
Con gli elettroutensili a massa (messi a terra), non utilizzare alcun adattatore.
L'utilizzo di spine intatte e corrispondenti alle prese disponibili ridurrà il rischio di scosse elettriche.
- Evitare qualsiasi contatto con le superfici a massa o a terra, quali tubi, radiatori, fornelli e frigoriferi.**
In caso di messa a terra o massa del corpo, sussiste un maggior rischio di scosse elettriche.
- Non esporre gli elettroutensili alla pioggia o all'umidità.**
La penetrazione di acqua negli elettroutensili aumenterà il rischio di scosse elettriche.
- Non tirare il cavo. Non utilizzarlo per il trasporto, o per tirare o scollegare l'elettroutensile.**
Tenere il cavo lontano da fonti di calore, oli, bordi appuntiti o parti in movimento.
Cavi danneggiati o attorcigliati possono aumentare il rischio di scosse elettriche.
- Durante l'uso degli elettroutensili all'esterno, utilizzare una prolunga idonea per usi esterni.**
L'utilizzo di cavi per esterno riduce il rischio di scosse elettriche.
- Se è impossibile evitare l'impiego di un utensile elettrico in un luogo umido, utilizzare l'alimentazione protetta da un dispositivo a corrente residua (RCD).**
L'uso di un RCD riduce il rischio di scosse elettriche.

3) Sicurezza personale

- Durante l'uso degli elettroutensili, state all'erta, verificate ciò che state eseguendo e adottate sempre il buon senso.**
Non utilizzate gli elettroutensili qualora siate stanchi, sotto l'influenza di farmaci, alcol o cure mediche.
Anche un attimo di disattenzione durante l'uso degli elettroutensili potrebbe essere causa di gravi lesioni personali.

- Indossate l'attrezzatura di protezione personale. Indossate sempre le protezioni oculari.**
L'attrezzatura protettiva, quali maschera facciale, calzature antiscivolo, caschi o protezioni oculari ridurrà il rischio di lesioni personali.
 - Impedite le accensioni involontarie. Prima del collegamento a una sorgente di alimentazione e/o pacco batteria e prima di raccogliere o trasportare l'utensile, verificate che l'interruttore sia posizionato su OFF.**
Il trasporto degli elettroutensili tenendo le dita sull'interruttore o l'attivazione elettrica degli utensile che hanno l'interruttore su ON, implica il rischio di incidenti.
 - Prima di attivare l'elettroutensile, rimuovete qualsiasi chiave di regolazione.**
Lasciando la chiave in un componente in rotazione dell'elettroutensile, sussiste il rischio di lesioni personali.
 - Mantenersi in equilibrio. Mantenersi sempre su due piedi, in equilibrio stabile.**
Ciò consente di controllare al meglio l'elettroutensile in caso di situazioni impreviste.
 - Vestirsi in modo adeguato. Non indossare abiti larghi o gioielli. Tenere i capelli, gli abiti e i guanti lontani dalle parti in movimento.**
Abiti allentati, gioielli e capelli lunghi potrebbero impigliarsi nelle parti in movimento.
 - In caso di dispositivi provvisti di collegamento ad apparecchiature di rimozione e raccolta polveri, verificare che queste siano collegate e utilizzate in modo adeguato.**
L'utilizzo della raccolta della polvere può ridurre i rischi connessi alle polveri.
- #### 4) Utilizzo e manutenzione degli elettroutensili
- Non utilizzare elettroutensili non idonei. Utilizzare l'elettroutensile idoneo alla propria applicazione.**
Utilizzando l'elettroutensile corretto, si garantirà un'esecuzione migliore e più sicura del lavoro, alla velocità di progetto.
 - Non utilizzare l'elettroutensile qualora non sia possibile accenderlo/spengerlo tramite l'interruttore.**
È pericoloso utilizzare elettroutensili che non possano essere azionati dall'interruttore. Provvedere alla relativa riparazione.
 - Prima di effettuare qualsiasi regolazione, sostituire gli accessori o depositare gli elettroutensili, scollegare la spina dalla presa elettrica e/o il pacco batteria dall'utensile elettrico.**
Queste misure di sicurezza preventive riducono il rischio di avvio involontario dell'elettroutensile.
 - Depositare gli elettroutensili non utilizzati lontano dalla portata dei bambini ed evitare che persone non esperte di elettroutensili o non a conoscenza di quanto riportato sulle presenti istruzioni azionino l'elettroutensile.**
È pericoloso consentire che utenti non esperti utilizzino gli elettroutensili.
 - Manutenzione degli elettroutensili. Verificare che non vi siano componenti in movimento disallineati o bloccati, componenti rotti o altre condizioni che potrebbero influenzare negativamente il funzionamento dell'elettroutensile.**
In caso di guasti, provvedere alla riparazione dell'elettroutensile prima di riutilizzarlo.
Molti incidenti sono causati da una scarsa manutenzione.

f) **Mantenere gli strumenti di taglio affilati e puliti.**
Gli strumenti di taglio in condizioni di manutenzione adeguata, con bordi affilati, sono meno soggetti al bloccaggio e sono più facilmente controllabili.

g) **Utilizzare l'elettrotensile, gli accessori, le barrette, ecc. in conformità a quanto riportato nelle presenti istruzioni, tenendo in debita considerazione le condizioni operative e il tipo di lavoro da eseguire.**

L'uso dell'utensile elettrico per operazioni diverse da quelle previste potrebbe causare una situazione pericolosa.

5) Assistenza

a) **Affidate le riparazioni dell'elettrotensile a persone qualificate che utilizzino solamente parti di ricambio identiche.**

Ciò garantirà il mantenimento della sicurezza dell'elettrotensile.

PRECAUZIONI

Tenere lontano dalla portata di bambini e invalidi.

Quando non utilizzati, gli strumenti dovranno essere depositati lontano dalla portata di bambini e invalidi.

PRECAUZIONI DI SICUREZZA PER LA SEGA CIRCOLARE

Procedure di taglio

a) **⚠ PERICOLO: Non avvicinare le mani all'area di taglio e alla lama. Tenere l'altra mano sulla manopola ausiliaria o sulla carcassa del motore.**
Tenendo la sega con entrambe le mani, non vi è possibilità di tagliarsi

b) **Non mettere le mani sotto il pezzo da lavorare.**
La griglia non funge da protezione dalla lama posta sotto il pezzo da lavorare.

c) **Regolare la profondità di taglio in base allo spessore del pezzo da lavorare.**
Sotto il pezzo da lavorare, dovrebbe vedersi meno di un piede dei denti della lama.

d) **Non tagliare il pezzo tenendolo in mano o tra le gambe. Posizionare il pezzo da lavorare su una superficie stabile.**
Si raccomanda di sostenere in modo adeguato il pezzo da lavorare, al fine di ridurre l'esposizione, la possibilità di inceppamento della lama o la perdita di controllo.

e) **Afferrare l'attrezzo solo dalle superfici di presa isolate durante le operazioni in cui l'attrezzo di taglio potrebbe entrare a contatto con i cablaggi nascosti o con il suo cavo.**
Il contatto con un filo in tensione rende anche le parti metalliche esposte dell'attrezzo in tensione e può provocare scosse elettriche all'operatore.

f) **Quando si carteggia, utilizzare sempre la protezione verticale o una guida a bordo dritto.**
In tal modo è possibile ottimizzare la precisione di taglio e ridurre la possibilità d'inceppamento della lama.

g) **Utilizzare sempre lame con alesaggio di forma e dimensioni adeguate (a forma di diamante contro rotonda).**
Lame non adatte all'utensileria di montaggio della sega, funzioneranno con movimento eccentrico, causando perdita del controllo.

h) **Non utilizzare rondelle o bulloni danneggiati o inadeguati.**

Le rondelle e il bullone sono stati prodotti appositamente per il vostro tipo di sega, in modo tale da garantire prestazioni elevate e sicurezza durante l'uso.

Cause del rinculo e relative precauzioni

– per contraccolpo s'intende una reazione repentina della lama di una sega non ammassata, inceppata o mal allineata, con conseguente sollevamento involontario della sega fuori dal pezzo di lavoro, in direzione dell'operatore;

– se la lama è schiacciata o fortemente ostacolata dal solco di taglio verso il basso, si arresta e, per reazione del motore, l'unità si sposta rapidamente in direzione dell'operatore;

– se la lama è svergolata o mal allineata rispetto al taglio, i denti del bordo posteriore della lama potrebbero affondare nella superficie superiore del legno, con conseguente fuoriuscita della lama dal solco di taglio e rimbalzo indietro verso l'operatore.

Il contraccolpo è il risultato di un uso scorretto della sega e/o di procedure o condizioni di utilizzo non adeguate; per evitarlo, agire come segue.

a) **Afferrare la sega con entrambe le mani in modo fermo, quindi esercitare forza con le braccia per resistere al contraccolpo.**
Posizionarsi su uno dei due lati della lama, senza tuttavia allinearsi ad essa.

Il contraccolpo potrebbe causare il rimbalzo all'indietro della lama; tuttavia, se l'operatore osserva le precauzioni adeguate, è possibile tenerlo sotto controllo.

b) **Se la lama è inceppata o si arresta per qualsiasi motivo, rilasciare il dispositivo di attivazione e tenere ferma la sega nel materiale finché la lama non si sia arrestata completamente.**

Per evitare il contraccolpo, evitare di rimuovere la sega dal pezzo da lavorare o di tirarla indietro quando in movimento.

Per risolvere l'inceppamento della lama, effettuare le opportune verifiche e agire di conseguenza.

c) **Al riavvio della sega sul pezzo da lavorare, posizionare la lama al centro del solco di taglio, quindi controllare che i denti della sega non siano penetrati nel materiale.**

Se la lama della sega è inceppata, riavviando la sega, essa potrebbe spostarsi verso l'alto o essere soggetta a contraccolpo.

d) **Per ridurre il rischio di ammassatura o contraccolpo della lama, posizionare dei sostegni sotto i pannelli grandi.**

I pannelli grandi tendono ad avvallarsi sotto il loro peso. È possibile collocare i sostegni sotto il pannello su entrambi i lati, in prossimità della linea di taglio e del bordo del pannello.

e) **Evitare di utilizzare lame non taglienti o danneggiate**
Qualora le lame non siano affilate o siano state impostate in modo inadeguato, il solco di taglio risulterà stretto, causando eccessiva frizione, ammassatura e contraccolpo della lama.

- f) Prima di effettuare il taglio, serrare bene le leve di bloccaggio della regolazione del bisello e della profondità della lama.

Se la lama oscilla durante il taglio, vi è il rischio d'inceppamento o contraccolpo.

- g) **Utilizzare estrema cautela durante le operazioni di segatura in pareti esistenti e altre aree cieche.**
Una lama sporgente potrebbe tagliare gli oggetti e, quindi, essere soggetta a contraccolpo.

Funzione della guardia inferiore

- a) Prima di ogni utilizzo, verificare che la griglia inferiore sia adeguatamente chiusa. Se la griglia non si muove liberamente e si chiude di scatto, non attivare la sega. **Non bloccare la griglia inferiore nella posizione di apertura.**

Una caduta accidentale della sega potrebbe piegare la griglia.

Solleverare la griglia inferiore con la manopola di rientro, verificando che si possa spostare liberamente e che, a fronte di ogni angolo o profondità di taglio, non entri in contatto con la lama né con alcun altro elemento.

- b) **Verificare il funzionamento della molla della griglia inferiore. Se la griglia e la molla non funzionano adeguatamente, prima dell'uso, provvedere ai necessari interventi di manutenzione.**

In caso di parti danneggiate, depositi gommosi o incrostazioni, la griglia inferiore potrebbe funzionare lentamente.

- c) **La guardia inferiore può essere ritratta manualmente solo per tagli speciali come i "tagli a tuffo" e i "tagli composti".** Sollevare la griglia inferiore retraendo la manopola; non appena la lama penetrerà nel materiale, rilasciare la griglia inferiore.

Per tutte le altre seghe, la griglia inferiore funzionerà automaticamente.

- d) Prima di posizionare la sega su un banco o a pavimento, verificare che la griglia inferiore copra la lama.

Se la lama non è coperta ed è libera, la sega potrebbe spostarsi all'indietro, tagliando qualsiasi oggetto sul suo percorso.

Dopo aver rilasciato l'interruttore, porre attenzione al tempo necessario per l'arresto della lama.

PRECAUZIONI PER L'USO DELLA SEGA CIRCOLARE

- Non usare lame deformate o rotte.
- Non usare lame di acciaio rapido.
- Non usare lame non conformate alle caratteristiche specificate in queste istruzioni.
- Non fermare le lame della sega mediante pressione laterale sul disco.
- Tenere sempre affilate le lame.
- Verificare che la griglia inferiore si muova regolarmente e liberamente.
- Non utilizzare la sega circolare tenendo la griglia inferiore bloccata in posizione di apertura.
- Assicurarsi che tutti i meccanismi di ritrazione del sistema di protezione funzionino correttamente.
- Non impiegare MAI la sega circolare con la lama girata verso l'alto o lateralmente.
- Assicurarsi che l'oggetto da lavorare sia privo di corpi estranei, come per esempio chiodi.
- Per il modello C6SS, le lame della sega possono variare da 165mm a 160mm.
Per il modello C7SS, le lame della sega possono variare da 190mm a 185mm.
- Scollegare la spina dalla presa prima di eseguire qualsiasi regolazione, riparazione o manutenzione.

CARATTERISTICHE

Modello	C6SS		C7SS	
Voltaggio (per zona)*	(110 V, 230 V) ~			
Profondità di taglio	90°	57 mm	68 mm	
	45°	38 mm	46 mm	
Potenza assorbita*	110 V: 1010 W, 230 V: 1050 W			
Velocità senza carico	5500 min ⁻¹			
Peso (senza il cavo)	3,2 kg		3,4 kg	

*Accertatevi di aver controllato bene la piastrina perchè essa varia da zona a zona.

ACCESSORI STANDARD

- (1) Lama (montata sull'utesile) 1
 (Diam. 165 mm C6SS)
 (Diam. 190 mm C7SS)
- (2) Chiave esagonale 1

Gli accessori standard possono essere cambiati senza preavviso.

ACCESSORI OPZIONALI (venduti a parte)

- (1) Completo raccogli-polvere (D)
Collegare il tubo aspirante in modo da raccogliere la segatura con l'aspirapolvere (vedere la Fig. 9).
- (2) Rondella (A)
..... per 20 mm (dia. foro lama sega)
..... per 30 mm (dia. foro lama sega)
- (3) Guida (con bullone a farfalla)

Gli accessori opzionali possono essere cambiati senza preavviso.

IMPIEGHI

Taglio di vari tipi di legno.

PRIMA DELL'USO**1. Alimentazione**

Assicurarsi che la rete di alimentazione che si vuole usare sia compatibile con le caratteristiche relative all'alimentazione di corrente specificate nella piastrina dell'apparecchio.

2. Interruttore di corrente

Mettere l'interruttore in posizione SPENTO. Se la spina è infilata in una presa mentre l'interruttore è acceso, l'utensile elettrico si mette immediatamente in moto, facilitando il verificarsi di incidenti gravi.

3. Prolunga del cavo

Quando l'ambiente di lavoro è lontano da una presa di corrente, usare una prolunga del cavo di sufficiente spessore e di prestazione adeguata. La prolunga deve essere più corta possibile.

4. Preparazione di un banco di lavoro di legno (Fig. 1)

Poiché la lama oltrepassa la superficie inferiore del legno da tagliare, mettere il legno su un banco di lavoro quando si effettua il taglio.

Se si usa un blocco quadrato come banco di lavoro, scegliere un suolo livellato al fine di assicurare la sua necessaria stabilità. Un piano di lavoro instabile comporta un funzionamento pericoloso.

ATTENZIONE

Al fine di evitare eventuali incidenti, fare sempre in modo che la parte di legno che resta dopo il taglio sia ben ancorata o tenuta in posizione.

5. Come conservare la chiave esagonale (Fig. 8)

La chiave esagonale utilizzata per attaccare e staccare la lama della sega può essere conservata nella maniglia.

REGOLAZIONE DEGLI ELETTROUTENSILI**PRIMA DELL'USO****1. Regolazione della profondità di taglio**

E' possibile regolare la profondità di taglio spostando la base dopo aver allentato la relativa leva (A) (Fig. 2).

ATTENZIONE

Nel caso in cui la leva (A) rimanga allentato, potrebbero verificarsi situazioni di pericolo, pertanto serrarlo sempre in modo adeguato.

2. Regolazione dell'angolazione d'inclinazione

Allentando il bullone a alette della scala, la lama della sega può essere inclinata verso la base ad un'angolazione massima di 45° (Fig. 3).

E' anche possibile regolare l'angolazione d'inclinazione allentando il bullone a alette della scala (Fig. 3).

ATTENZIONE

E' molto rischioso lasciare il bullone a alette allentato, pertanto serrarlo sempre in modo adeguato.

3. Regolazione della guida (Accessorio opzionale)

E' possibile regolare la posizione di taglio spostando la guida verso sinistra o verso destra, dopo aver allentato il relativo bullone a alette.

La guida può essere montato sia sul lato sinistro, sia su quello destro.

PROCEDURE PER IL TAGLIO

1. Collocare il corpo della sega (base) sul legname, quindi allineare la linea di taglio alla lama della sega sulla scala anteriore (Fig. 4).
2. Prima che la sega tocchi la legna, impostare l'interruttore su ON. L'interruttore è impostato su ON quando il dispositivo di attivazione è premuto, mentre è impostato su OFF quando è in posizione di rilascio.

AVVERTENZE

Prima di effettuare l'operazione di taglio, ispezionare il materiale che si deve tagliare; se al taglio potrebbe generare polveri pericolose/tossiche, assicurarsi che alla bocchetta di uscita della polvere sia saldamente collegato un sacchetto raccogli-polvere o un sistema di estrazione polvere adeguato.

Inoltre, se presente, indossare la maschera antipolvere.

- Prima di avviare la sega, verificare che la lama abbia compiuto un giro.
- Se durante il funzionamento la lama della sega si ferma o emette un rumore anomalo, impostare immediatamente l'interruttore su OFF.
- Fare attenzione che il cavo dell'alimentazione non si avvicini alla lama della sega mentre in rotazione.
- Al fini della sicurezza, evitare di utilizzare la sega circolare tenendo la lama rivolta verso l'alto o trasversalmente.
- Durante il taglio, indossare sempre gli occhiali di protezione.
- Al termine di un lavoro, estrarre la spina dalla presa.

MONTAGGIO E RIMOZIONE DELLA LAMA**ATTENZIONE**

Per evitare gravi incidenti, assicurarsi che l'interruttore sia in posizione OFF e che il cavo sia staccato dalla presa.

1. Rimozione della lama circolare

- (1) Mettere al massimo la regolazione della profondità del taglio e porre la sega circolare come indicato nella Fig. 5.
- (2) Premere la leva di bloccaggio, bloccare l'albero e rimuovere il bullone della presa esagonale con la chiave esagonale.
- (3) Mentre si tiene la leva della griglia inferiore in modo che sia completamente ritirata all'interno del carter, rimuovere la lama della sega.

2. Montaggio della lama circolare

- (1) Ripulire dalla polvere di segatura asse, bullone e rondelle.
- (2) Come indicato nella Fig. 6, il lato della rondella (A) che presenta la parte centrale sporgente, con il diametro uguale al diametro interno della lama, ed il lato concavo della rondella (B) devono appoggiare sui due lati della lama.

* La rondella (A) è in dotazione per i tipi di lama con diametri foro di 20 mm e 30 mm. (Quando si acquista una sega circolare viene fornito un tipo di rondella (A)).

Se il diametro foro della lama utilizzata non corrisponde alla rondella (A), contattare il negozio presso cui è stata acquistata la sega circolare.

- (3) Montare la lama circolare in modo che la freccia sulla lama circolare sia allineata con la freccia sul carter della sega.

- (4) Usando le dita, serrare il bullone della presa esagonale trattenendo la lama della sega il più possibile. Quindi premere la leva di bloccaggio, bloccare l'albero e serrare attentamente il bullone della presa esagonale.

ATTENZIONE

Dopo aver attaccato la lama della sega, controllare di nuovo che la leva di bloccaggio sia bloccata fermamente nella posizione prescritta.

MANUTENZIONE E CONTROLLI

1. Controllo della lama

Poiché l'uso di lame logose diminuisce l'efficacia e causa eventuali disfunzioni del motore, affilare o sostituire la lama non appena si nota la sua usura.

2. Controllo delle viti di tenuta

Controllare regolarmente tutte le viti di tenuta e assicurarsi che siano esclusivamente serrate. Nel caso che una di queste viti dovesse allentarsi riserrarla immediatamente. Se si non ottiene di farlo, si può causare un grave incidente.

3. Manutenzione del motore

L'avvolgimento del motore il vero e proprio "cuore" degli attezi elettrici. Fare attenzione a non danneggiare l'avvolgimento e/o non bagnarlo con olio o acqua.

4. Ispezione delle spazzole di carbone

Per mantenere la vostra sicurezza e la protezione da scosse elettriche, l'ispezione delle spazzole di carbone e la loro sostituzione su questo utensile deve essere eseguita SOLO da un centro assistenza autorizzato HiKOKI.

5. Sostituzione del cavo di alimentazione

Se è necessaria la sostituzione del cavo di alimentazione, tale operazione deve essere effettuata dal produttore di questo agente onde evitare un rischio alla sicurezza.

6. Quadratura della base e della lama circolare

L'angolo tra la lama circolare e la base viene originariamente regolato a 90°. Nel caso che col tempo la quadratura venga meno eseguire la regolazione nel modo seguente:

- (1) Ruotare la base verso l'alto (Fig. 7) e allentare il bullone a farfalla (Fig. 3).
- (2) Con una squadra appoggiata tra la base e la lama circolare, al fine di spostare la base, ruotare la vite senza fine con un cacciavite a testa piatta. Regolare l'angolo tra la base e la lama circolare in modo da ottenere la quadratura.

7. Manutenzione della griglia inferiore

Per un utilizzo sicuro e corretto, tenere sempre puliti la macchina e i fori di ventilazione. La griglia inferiore deve sempre potersi muovere liberamente e ritrarre automaticamente. Pertanto, tenere sempre pulita l'area intorno alla griglia inferiore. Rimuovere la polvere e i trucioli con aria compressa o con una spazzola.

8. Lista dei pezzi di ricambio

CAUTELA

Riparazioni, modifiche e ispezioni di utensili elettrici HiKOKI devono essere eseguite da un centro assistenza HiKOKI autorizzato. Questa lista dei pezzi torna utile se viene presentata con l'utensile al centro assistenza HiKOKI autorizzato quando si richiedono riparazioni o altri interventi di manutenzione.

Nell'uso e nella manutenzione degli utensili elettrici devono essere osservate le normative di sicurezza e i criteri prescritti in ciascun paese.

MODIFICHE

Gli utensili elettrici HiKOKI vengono continuamente migliorati e modificati per includere le più recenti innovazioni tecnologiche.

Di conseguenza, alcuni pezzi possono essere modificati senza preavviso.

GARANZIA

Garantiamo gli Utensili Elettrici HiKOKI in conformità alle specifiche normative imposte dalla legge e dai paesi. Questa garanzia non copre difetti o danni dovuti a uso erraneo, abuso o normale usura. In caso di lamentele, si prega di inviare l'Utensile Elettrico, non smontato, insieme al CERTIFICATO DI GARANZIA che si trova al termine di queste Istruzioni per l'uso, ad un Centro di Assistenza Autorizzato HiKOKI.

NOTA

A causa del continuo programma di ricerca e sviluppo della HiKOKI, le caratteristiche riportate in questo foglio sono soggette a cambiamenti senza preventiva comunicazione.

Informazioni riguardanti i rumori trasmessi dall'aria e le vibrazioni

I valori misurati sono stati determinati in conformità a EN60745 e descritti in conformità alla normativa ISO 4871.

C6SS

Livello di potenza acustica A misurato:	106 dB(A)
Livello di pressione acustica A misurato:	95 dB(A)
Incertezza KpA:	3 dB(A)

C7SS

Livello di potenza acustica A misurato:	106 dB(A)
Livello di pressione acustica A misurato:	95 dB(A)
Incertezza KpA:	3 dB(A)

Indossare protezioni per l'udito.

Valori totali di vibrazione (somma vettori triass.) determinati secondo la norma EN60745.

Taglio di truciolare:

C6SS

Valore di emissione vibrazioni $a_h = 2,4 \text{ m/s}^2$
Incertezza K = $1,5 \text{ m/s}^2$

C7SS

Valore di emissione vibrazioni $a_h = 5,9 \text{ m/s}^2$
Incertezza K = $1,5 \text{ m/s}^2$

Il valore totale di emissione vibrazioni dichiarato è stato misurato in base al metodo di test standard e può essere utilizzato per confrontare un utensile con un altro. Può essere inoltre utilizzato per la stima preliminare dell'esposizione.

AVVERTENZA

- Il valore di emissione vibrazioni durante l'uso effettivo dell'utensile può essere diverso dal valore totale dichiarato in base alle modalità di utilizzo dell'utensile stesso.
- Identificare le misure di sicurezza per la protezione dell'operatore basate su stima dell'esposizione nelle effettive condizioni di utilizzo (prendendo in considerazione tutte le parti del ciclo di funzionamento come i tempi in cui l'utensile resta spento e quando funziona senza essere utilizzato in aggiunta al tempo di avvio).

ALGEMENE VEILIGHEIDSWAARSCHUWINGEN VOOR ELEKTRISCH GEREEDSCHAP

WAARSCHUWING

Lees alle waarschuwingen en instructies aandachtig door. Nalating om de waarschuwingen en instructies op te volgen kan in een elektrische schok, brand en/of ernstig letsel resulteren.

Bewaar alle waarschuwingen en aanwijzingen voor eventuele naslag in de toekomst.

De term "elektrisch gereedschap" heeft zowel betrekking op elektrisch gereedschap dat via de netvoeding van stroom wordt voorzien als gereedschap dat via een accu (snoerloos) van stroom wordt voorzien.

1) Veiligheid van de werkplek

- Zorg voor een schone en goed verlichte werkplek.**
Een rommelige of donkere werkplek verhoogt de kans op ongelukken.
- Gebruik het elektrisch gereedschap niet in een omgeving met ontplofbare vloeistoffen, gasen of stof.**
Elektrisch gereedschap kan vonken afgeven. Deze vonkjes kunnen stofdeeltjes of gasen doen ontbranden.
- Houd kinderen en andere toeschouwers tijdens het gebruik van elektrische gereedschap uit de buurt.**
Afleidingen kunnen gevaarlijk zijn.

2) Elektrische veiligheid

- De stekker op het elektrische gereedschap moet geschikt zijn voor aansluiting op de wandcontactdoos.**
De stekker mag op geen enkele manier gemodificeerd worden. Gebruik geen verloopstekker met geaard elektrisch gereedschap.
Deugdelijke stekkers en geschikte wandcontactdozen verminderen het risico op een elektrische schok.
- Vermijd lichamen contact met geaarde oppervlakken zoals leidingen, radiatoren, fornuizen en koelkasten.**
Wanneer uw lichaam in contact staat met geaarde oppervlakken loopt u een groter risico op een elektrische schok.
- Stel het elektrisch gereedschap niet bloot aan regen of vochtige omstandigheden.**
Het risico op een elektrische schok wordt vergroot wanneer er water in het elektrisch gereedschap terechtkomt.
- Behandel het snoer voorzichtig. Draag het gereedschap nooit door dit bij het snoer vast te houden. Trek niet aan het snoer wanneer u de stekker uit het stopcontact wilt halen.**
Houd het snoer uit de buurt van warmtebronnen, olie, scherpe randen of bewegende onderdelen.
Een beschadigd of verward snoer verhoogt het risico op een elektrische schok.
- Gebruik buitenshuis een verlengsnoer dat specifiek geschikt is voor het gebruik buiten.**
Het gebruik van een snoer dat specifiek geschikt is voor gebruik buitenshuis vermindert het risico op een elektrische schok.
- Als het elektrisch gereedschap in een vochtige omgeving gebruikt moet worden, dient een voeding met RCD (reststroom-apparaat) beveiliging te worden gebruikt.**
Gebruik van een RCD vermindert de kans op een elektrische schok.

3) Persoonlijke veiligheid

- Blijf waakzaam, let voortdurend op uw werk en gebruik u gezond verstand wanneer u elektrisch gereedschap gebruikt.**
Gebruik geen elektrisch gereedschap wanneer u moe bent of onder invloed van drugs, alcohol of medicijnen.

Eén moment van onoplettendheid kan in ernstig lichamenlijk letsel resulteren.

- Gebruik persoonlijke beschermingsmiddelen. Draag altijd oogbescherming.**
Beschermingsmiddelen zoals stofmaskers, niet-glijdende veiligheidsschoenen, een helm of oorbescherming vermindert het risico op lichamenlijk letsel.
 - Voorkom dat het gereedschap per ongeluk kan starten. Controleer of de schakelaar in de uit-stand staat voordat u de voeding en/of de accu aansluit, het gereedschap oppakt of gaat dragen.**
Zorg ervoor dat u tijdens het verplaatsen van het elektrisch gereedschap uw vingers uit de buurt van de schakelaar houdt en sluit de stroombron niet aan terwijl de schakelaar op aan staat om ongelukken te vermijden.
 - Verwijder sleutels en moersleutels uit het gereedschap voordat u het elektrisch gereedschap aanzet.**
Een (moer-)sleutel die op een bewegend onderdeel van het elektrisch gereedschap bevestigd is kan in lichamenlijk letsel resulteren.
 - Reik niet te ver. Zorg ervoor dat u te allen tijde stevig staat en uw evenwicht behoudt.**
Op deze manier heeft u tijdens een onverwachte situatie meer controle over het elektrisch gereedschap.
 - Draag geen loszittende kleding of sieraden. Houd uw haar, kleding en handschoenen uit de buurt van bewegende onderdelen.**
Loszittende kleding, sieraden en lang haar kunnen in de bewegende onderdelen verstrikt raken.
 - Indien het elektrisch gereedschap van een aansluiting voor stofafzuiging is voorzien dan dient u ervoor te zorgen dat de stofafzuiging aangesloten en op de juiste manier gebruikt wordt.**
Het gebruik van stofafzuiging vermindert eventuele stofgerelateerde risico's.
- #### 4) Bediening en onderhoud van elektrisch gereedschap
- Het elektrisch gereedschap mag niet geforceerd worden. Gebruik het juiste gereedschap voor het karwei.**
U kunt de klus beter en veiliger uitvoeren wanneer u het juiste elektrische gereedschap gebruikt.
 - Gebruik het elektrisch gereedschap niet als de schakelaar niet goed werkt.**
Elektrisch gereedschap dat niet via de schakelaar bediend kan worden is gevaarlijk en moet onmiddellijk gerepareerd worden.
 - Haal de stekker uit het stopcontact voordat u de voeding en/of de accu van het elektrisch gereedschap losmaakt, afstellingen verricht, accessoires verwisselt of voordat u het elektrisch gereedschap opbergt.**
Dergelijke preventieve veiligheidsmaatregelen verminderen het risico dat het elektrisch gereedschap per ongeluk opstart.
 - Berg elektrisch gereedschap buiten het bereik van kinderen op en sta niet toe dat personen die niet bekend zijn met het juiste gebruik van het gereedschap of deze voorschriften dit elektrisch gereedschap gebruiken.**
Elektrisch gereedschap is gevaarlijk in onbevoegde handen.
 - Het elektrisch gereedschap moet regelmatig onderhouden worden. Controleer het gereedschap op een foutieve uitlijning, vastgelopen of defecte bewegende onderdelen en andere problemen die van invloed zijn op de juiste werking van het gereedschap.**
Indien het gereedschap defect of beschadigd is moet het gerepareerd worden voordat u het gereedschap opnieuw gebruikt.

Slecht onderhouden elektrisch gereedschap is verantwoordelijk voor een groot aantal doe-het-zelf ongelukken.

- f) **Houd snijwerktuigen scherp en schoon.**
Goed onderhouden snijwerktuigen met scherpe snijranden lopen minder snel vast en zijn gemakkelijker in het gebruik.
- g) **Elektrisch gereedschap, toebehoren, bits enz. moeten in overeenstemming met deze instructies worden gebruikt waarbij de werkomstandigheden en het werk in overweging moeten worden genomen.**
Gebruik van het elektrisch gereedschap voor andere doeleinden dan waarvoor het is bedoeld, kan resulteren in een gevaarlijke situatie.

5) Onderhoudsbeurt

- a) **Het gereedschap mag uitsluitend door bevoegd onderhoudspersoneel worden onderhouden die authenticatie onderdelen gebruikt.**
Hierdoor kunt u erop aan dat de veiligheid van het elektrisch gereedschap behouden blijft.

VOORZORGMAATREGELEN

Houd kinderen en kwetsbare personen op een afstand.
Het gereedschap moet na gebruik buiten het bereik van kinderen en andere kwetsbare personen worden opgeborgen.

VEILIGHEIDSWAARSCHUWINGEN VOOR DE CIRKELZAAGMACHINE

Zaagprocedures

- a) **⚠ WAARSCHUWING:** Kom niet met uw handen in de buurt van het zaaggebied en het zaagblad. Houd met de andere hand de extra hendel of motorkap vast.
Als u de zaag met beide handen vasthoudt, kunt u zich niet snijden aan het blad.
- b) **Reik niet onder het te zagen werkstuk.**
De beveiliging biedt geen bescherming voor onder het werkstuk.
- c) **Stel de zaagdiepte in op de dikte van het werkstuk.**
Onder het te zagen werkstuk mag slechts een volle tand van het zaagblad zichtbaar zijn.
- d) **Houd het te zagen werkstuk nooit met uw handen of tussen uw benen vast. Zorg ervoor dat het te zagen werkstuk op een stabiel platform ligt.**
Het is belangrijk dat het werkstuk goed wordt ondersteund zodat uw lichaam zo min mogelijk wordt blootgesteld aan gevaar, het blad vastloopt of u de controle verliest.
- e) **Pak het elektrisch gereedschap alleen aan de geïsoleerde grepen vast als u handelingen uitvoert waarbij de zaag mogelijk contact maakt met bedrading of de eigen stroomkabel.**
Als u contact maakt met een kabel die onder spanning staat, zullen de blootgestelde metalen delen van de zaag onder spanning komen te staan wat kan resulteren in een elektrische schok voor de gebruiker.
- f) **Bij het schulpen dient u altijd gebruik te maken van een langsgelieder of zaagtandrichtliniaal.**
Dit verbetert de nauwkeurigheid van de snee en verlaagt de kans op een vastgelopen zaagblad.
- g) **Gebruik altijd bladen van de juiste grootte en vorm (diamant versus rond) van opspandoorngaten.**

Bladen die niet geschikt zijn voor de hardware van de zaag zullen excentrisch draaien en zo verliest u controle over het apparaat.

- h) **Gebruik nooit beschadigde of onjuiste bouten of moeren voor het blad.**
De bouten en moeren zijn speciaal ontworpen voor deze zaag, zodat deze optimaal presteert en veilig kan worden gebruikt.

Oorzaken van terugslag en gerelateerde waarschuwingen

- terugslag is een plotselinge reactie als het zaagblad klemt, vastloopt of niet goed is uitgelijnd. Hierdoor schiet de zaag omhoog uit het werkstuk en richting de bediener;
- als het blad klemt of sterk vastloopt omdat de zaagsnede te smal wordt, stopt het blad en als gevolg van de motorreactie schiet het apparaat snel terug richting de bediener;
- als het blad knikt of niet goed is uitgelijnd, zullen de tanden aan de achterzijde van het blad in het bovenste oppervlak van het hout zagen zodat het blad uit de zaagsnede komt en terug kan schieten naar de bediener.

Terugslag is het gevolg van verkeerd gebruik en/of onjuiste bediening of omstandigheden. Dit kan worden voorkomen door de juiste voorzorgsmaatregelen te nemen, zoals hieronder vermeld.

- a) **Zorg dat u de zaag met beide handen goed vasthoudt en plaats uw armen zodanig dat u de kracht van de terugslag kunt weerstaan.**
Ga met uw lichaam aan een van de beide zijden van het blad staan, maar niet op een lijn met het blad.
Terugslag kan ervoor zorgen dat de zaag terugschiet, maar de kracht ervan kan worden weerstaan door de bediener, indien deze de juiste voorzorgsmaatregelen heeft getroffen.
- b) **Als het blad vastloopt, of als de snee om welke reden dan ook wordt onderbroken, laat dan de trekker los en houd de zaag bewegingsloos in het materiaal totdat het blad volledig stilstaat.**
Probeer nooit de zaag uit het werkstuk te halen of terug te trekken terwijl het blad nog beweegt; dit kan terugslag veroorzaken.
Onderzoek en corrigeer zaken ter voorkoming van het vastlopen van het blad.
- c) **Als u de zaag opnieuw aanzet in het werkstuk, centreer het zaagblad dan in de zaagsnede en controleer of de zaagtanden niet vastzitten in het materiaal.**
Als het zaagblad vastloopt, kan deze omhoog gaan of een terugslag geven zodra de zaag opnieuw wordt gestart.
- d) **Ondersteun grote panelen om zo het risico op het klemmen van het blad en terugslag te voorkomen.**
Grote panelen kunnen onder hun gewicht doorzakken. Ondersteuning dient te worden geplaatst aan beide zijden onder het paneel, nabij de zaagsnede en de rand van het paneel.
- e) **Gebruik geen stompe of beschadigde zaagbladen.**
Niet scherpe of onjuist ingestelde bladen produceren een smalle zaagsnede en dit zorgt voor extra frictie, het vastlopen van het blad en terugslag.

- f) **Bladdiepte en de sluithefbomen van de instellingen van de afschuining moeten goed zijn vergrendeld voordat u kunt gaan zagen.**

Als het aanpassen van het zaagblad verschuift tijdens het zagen, kan deze vastlopen en terugslag veroorzaken.

- g) **Wees extra zorgvuldig als u in een bestaande wand zaagt of andere blinde gebieden.**

Het uitstekende blad zaagt mogelijk in voorwerpen die een terugslag veroorzaken.

Onderste beschermingsfunctie

- a) **Controleer voor ieder gebruik of de onderste beveiliging op juiste manier is vergrendeld. Gebruik de zaag niet als de onderste bescherming niet vrij beweegt en onmiddellijk sluit. Klem of bindt de onderste bescherming nooit vast naar de open positie.**

Als de zaag onopzettelijk valt, kan de onderste bescherming verbuigen.

Trek de onderste bescherming omhoog met de terugtrekhandel en zorg ervoor dat deze vrij kan bewegen en het blad of welk ander deel niet raakt, in alle hoeken of snijdiepte.

- b) **Controleer de werking van de veer van de onderste bescherming. Als de bescherming en de veer niet goed functioneren, dienen deze eerst te worden gerepareerd.**

De onderste bescherming werkt niet goed als gevolg van beschadigde onderdelen, gomachtige aanslag of vuilklonters.

- c) **De onderste bescherming mag alleen handmatig worden teruggetrokken bij speciale sneden zoals rechtstreeks in een oppervlak en samengestelde sneden. Trek de onderste bescherming omhoog met behulp van de terugtrekhandel en zodra het blad in het materiaal gaat, dient u de onderste bescherming los te laten.**

Bij alle andere zaagbewerkingen, werkt de onderste bescherming automatisch.

- d) **Let erop dat de onderste bescherming altijd over het blad zit voordat de zaag op een werkbank of de grond wordt gezet.**

Bij een onbeschermd blad waarbij de motor niet actief is, gaat de zaag terug en snijdt deze in alles wat in de weg zit.

Wees u bewust van de tijd die nodig is voordat het blad stopt nadat u de motor hebt gestopt.

VOORZORGSMAATREGELEN BETREFFENDE HET GEBRUIK VAN DE CIRKELZAAGMACHINE

1. Gebruik geen zaagbladen die vervormd of verbogen zijn, of waarin barsten en/of scheurtjes zitten.
2. Gebruik geen HSS-zaagbladen (verhard staal).
3. Gebruik geen zaagbladen waarvan de eigenschappen niet overeenkomen met die omschreven in deze instructies.
4. Zorg dat, tijdens het zagen, het zaagblad niet tot stilstand komt door teveel zijwaartse druk.
5. Zorg ervoor dat het zaagblad steeds scherp is.
6. Controleer of de onderste beschermkap vrij kan bewegen.
7. Gebruik de cirkelzaag niet wanneer de beschermkap in de open positie staat.
8. Controleer of het terugspring-mechanisme van de veiligheidskap naar behoren functioneert.
9. De cirkelzaag nooit inzetten met schuinstaand of zijdelings staand zaagblad.
10. Let er steeds op, dat het werkstuk geen vreemde voorwerpen, zoals b.v. spijkers, bevat.
11. Voor het model C6SS is het toegestane bereik van de zaagbladen van 160 mm tot 165 mm. Voor het model C7SS is het toegestane bereik van de zaagbladen van 185 mm tot 190 mm.
12. Haal de stekker uit het stopcontact voor u iets gaat instellen, vervangen of onderhoud gaat plegen.

TECHNISCHE GEGEVENS

Model		C6SS	C7SS
Voltage (verschillend van gebied tot gebied)*		(110 V, 230 V) ~	
Zaagdiepte	90°	57 mm	68 mm
	45°	38 mm	46 mm
Opgenomen vermogen*		110 V: 1010 W, 230 V: 1050 W	
Toerental onbelast		5500 min ⁻¹	
Gewicht (zonder kabel)		3,2 kg	3,4 kg

*Kontroleer het naamplaatje op het apparaat daar het apparaat afhankelijk van het gebied waar het verkocht wordt gewijzigd kan worden.

STANDAARD TOEBEHOREN

- (1) Zaagblad (bevestigd aan het gereedschap) 1
 (Diam. 165 mm C6SS)
 (Diam. 190 mm C7SS)
- (2) Inbussleutel 1

De standaard toebehoren kunnen zonder aankondiging op ieder moment worden veranderd.

EXTRA TOEBEHOREN (los te verkrijgen)

- (1) Stof-verzamelsel (D)
Sluit de afzuigslang aan om het zaagsel met behulp van de stofzuiger op te zuigen (Zie **Afb. 9**).
- (2) Onderlegschiif (A)
..... voor 20 mm (Diameter van gat van zaagblad)
..... voor 30 mm (Diameter van gat van zaagblad)
- (3) Geleider (met vleugelmoer)

De extra toebehoren kunnen zonder aankondiging op ieder moment worden veranderd.

TOEPASSINGEN

Het zagen van verschillende houtsoorten.

VOOR HET BEGIN VAN HET WERK

1. **Netspanning**
Controleren of de netspanning overeenkomt met de opgave op het naamplaatje.
2. **Netschakelaar**
Controleren of de netschakelaar op „UIT” staat. Wanneer de stekker op het net aangesloten is, terwijl de schakelaar op „AAN” staat, begint het gereedschap onmiddellijk te draaien, hetwelk ernstig gevaar betekent.
3. **Verlengsnoer**
Wanneer het werkterrein niet in de buurt van een stopcontact ligt, dan moet men gebruik maken van een verlengsnoer, dat voldoende dwarsprofiel en voldoende nominaal vermogen heeft. Het verlengsnoer moet zo kort mogelijk gehouden worden.
4. **Het in gereedheid brengen van een houten werkbank (Afb. 1)**
Aangezien het zaagblad boven de onderkant van het zaaghout uitsteekt, legt men bij het zagen het zaaghout op een werkbank. Wanneer men van een houtblok als onderstel gebruik maakt, moet men daarvoor een vlakke ondergrond uitkiezen, zodat het ook werkelijk stabiel is. Een onstabiele ondergrond is gevaarlijk.

LET OP

Om eventuele ongelukken te vermijden, moet men er steeds op letten, dat het na eht zagen overgebleven gedeelte van het gezaagde hout goed vastligt of op de plaats gehouden wordt.

5. Opbergen van de inbussleutel (Afb. 8)

De steeksleutel die gebruikt wordt voor het bevestigen en losmaken van het zaagblad kan in de handgreep worden opgeborgen.

HET ELEKTRISCH GEREEDSCHAP VOOR HET GEBRUIK AFSTELLEN

1. De zaagdiepte instellen

De zaagdiepte kan ingesteld worden door de hendel (A) los te maken (**Afb. 2**).

WAARSCHUWING

Het is uiterst belangrijk dat u de hendel (A) weer vastzet. Een losse hendel (A) is gevaarlijk. Klem hem altijd goed vast.

2. De verstekhoek instellen

Door de vleugelmoer op de schaal los te draaien kan het zaagblad op een maximale hoek van 45° tegenover de voetplaat worden ingesteld (**Afb. 3**). De verstekhoek kan tevens ingesteld worden door de vleugelmoer op de schaal los te draaien (**Afb. 3**).

WAARSCHUWING

Het is uiterst belangrijk dat u de vleugelmoer vervolgens weer vastdraait. Een losse vleugelmoer is gevaarlijk.

3. De geleider afstellen (Extra toebehoren)

De zaagstand kan ingesteld worden door de geleider naar links of rechts te verplaatsen nadat de vleugelmoer is losgedraaid. De geleider kan aan de linker- of rechterkant gemonteerd worden.

ZAGEN

1. Plaats de zaag (voetplaat) op het hout en zet de zaaglijn op één lijn met het zaagblad bij de voorste schaal (**Afb. 4**).
2. Zet de schakelaar AAN voordat de zaag in contact komt met het hout. Druk de schakelaar in om de zaag AAN te zetten en laat de schakelaar los om de zaag UIT te zetten.

WAARSCHUWINGEN

Voordat u met zagen begint dient u de eigenschappen van het materiaal vast te stellen. Als er een kans bestaat dat het betreffende materiaal schadelijke/giftige stoffen afgeeft, zorg er dan voor dat u de stofzak of een geschikt stofafzuigsysteem op de zaag aansluit.

Draag, zo nodig, een stofmasker.

- Zorg ervoor dat het zaagblad op volle toeren draait voordat u begint met zagen.
- Zet de zaag onmiddellijk UIT wanneer het zaagblad tot stilstand komt of wanneer de zaag een vreemd geluid maakt.
- Houd het snoer goed uit de buurt van het draaiende zaagblad.
- Het is zeer gevaarlijk om de cirkelzaag zodanig vast te houden dat het zaagblad naar boven of naar de zijkant wijst. Dit soort gevaarlijke handelingen moeten vermeden worden.
- Draai tijdens zaagwerkzaamheden altijd oogbescherming.
- Wanneer u klaar bent met het werk moet u het stekkertje uit de zaag trekken.

HET AANBRENGEN EN VERWIJDEREN VAN HET ZAAGBLAD

LET OP

Als preventieve maatregel tegen ongelukken moet er op gelet worden, dat de schakelaar op „UIT” staat en de stekker uit het stopcontact is.

1. Verwijderen van het zaagblad

- (1) Stel, met de basisplaat, de zaag in op zijn maximale zaagdiepte en houd de zaag zoals aangegeven in **Afb. 5**.
- (2) Druk de palhefboom in, vergrendel de as en verwijder dan de inbusbout met de inbussleutel.
- (3) Houd de hendel op de onderste beschermkap vast zodat de onderste beschermkap volledig in de zaagkap wordt getrokken. U kunt nu het zaagblad verwijderen.

2. Monteren van het zaagblad

- (1) Verwijder het stof dat zich aan de as en onderlegschilden ophoopt heeft.
- (2) Zoals getoond in **Afb. 6** moet de kant van de onderlegschild (A) met een naar voren staand middenstuk met dezelfde diameter als de binnendiameter van het zaagblad en de holle kant van de onderlegschild (B) aan beide kanten van het zaagblad aangebracht worden.

* Sluitring (A) is voor 2 typen zaagbladen die een gat met een diameter van 20 mm en 30 mm hebben bijgeleverd. (Bij aankoop van de cirkelzaagmachine is slechts één sluitring (A) bijgeleverd.)

Raadpleeg de plaats waar u de cirkelzaagmachine heeft gekocht indien het gat van het zaagblad een afwijkende diameter heeft en sluitring (A) niet geschikt is.

- (3) Monteer het zaagblad zodanig dat de pijl op het zaagblad in dezelfde richting wijst als de pijl op de zaagbeveiliging.
- (4) Draai de inbusbout waarmee het zaagblad vastgeklemd zit zo ver mogelijk met de hand vast. Druk dan de palhefboom in, vergrendel de as en draai de inbusbout stevig vast.

LET OP

Na het monteren van het zaagblad dient u nogmaals te controleren of de borghendel stevig is vastgezet in de voorgeschreven stand.

ONDERHOUD EN INSPECTIE

1. Inspectie van het zaagblad

Aangezien het perstatievermogen verminderd wordt door een bot zaagblad en hierdoor een mogelijke weigering van de motor veroorzaakt kan worden, moet een bot zaagblad meteen vervangen worden zodra de slijtage vastgesteld wordt.

2. Inspectie van de bevestigingsschroef

Alle bevestigingsschroeven worden regelmatig geïnspecteerd en gecontroleerd of zij juist aangedraaid zijn. Wanneer één van de schroeven losraakt, dan moet deze onmiddellijk opnieuw aangedraaid worden. Gebeurt dat niet, dan kan dat tot aanzienlijke gevaren leiden.

3. Onderhoud van de motor

De motorwikkeling is het „hert” van het elektrisch gereedschap. Er moet daarom bijzonder zorgvuldig op gelet worden, dat de wikkeling niet beschadigd en/of met olie of water bevochtigd wordt.

4. Inspecteren van de koolborstels

Met het oog op uw veiligheid en om elektrische schokken te voorkomen, mag inspectie en vervanging van de koolborstels ALLEEN uitgevoerd worden door een erkend HiKOKI Service-centrum.

5. Vervangen van het stroomsnoer

Als het stroomsnoer vervangen moet worden, dient dit door de fabrikant te gebeuren om te voorkomen dat de veiligheid in gevaar wordt gebracht.

6. Afstellen van de hoek tussen basisplaat en zaagblad:

Bij het verlaten van de fabriek is deze hoek optimaal afgesteld op 90°. Ga op de volgende wijze te werk als deze hoek opnieuw dient te worden afgesteld:

- (1) Draai de machine zodat de basisplaat naar boven is gericht (**Afb. 7**) en draai de vleugelbout los (**Afb. 3**).
- (2) Druk een winkelhaak tegen de basisplaat en het zaagblad en verdraai de koploze schroef met een schroevendraaier voor het verschuiven van de basisplaat. Stel zodanig af dat de basisplaat en het zaagblad recht op elkaar staan.

7. Onderhoud van de onderste bescherming

Voor een veilige en juiste werking moet u de machine en de ventilatiegloeuen altijd schoon houden. De onderste bescherming moet altijd vrij kunnen bewegen en automatisch teruggetrokken worden. Houd daarom altijd het gebied rondom de onderste bescherming schoon. Verwijder stof en spaanders door deze met perslucht weg te blazen of een borstelje weg te vegen.

8. Lijst vervangingsonderdelen

LET OP

Reparatie, modificatie en inspectie van HiKOKI elektrisch gereedschap dient te worden uitgevoerd door een erkend HiKOKI Service-centrum.

Deze Onderdelenlijst komt van pas wanneer u deze samen met het gereedschap aanbiedt bij het erkende HiKOKI Service-centrum wanneer u om reparatie of ander onderhoud verzoekt.

Bij gebruik en onderhoud van elektrisch gereedschap dienen de in het land waar u zich bevindt geldende veiligheidsregelgeving en veiligheidsstandaarden stipt te worden opgevolgd.

MODIFICATIES

HiKOKI elektrisch gereedschap wordt voortdurend verbeterd en gewijzigd teneinde gebruik te kunnen maken van de nieuwste technische ontwikkelingen. Daarom is mogelijk dat sommige onderdelen zonder voorafgaande kennisgeving gewijzigd worden.

GARANTIE

De garantie op het elektrisch gereedschap van HiKOKI is in overeenstemming met de wettelijke/landspecifieke richtlijnen. Deze garantie dekt geen defecten of schade als gevolg van foutief gebruik, misbruik of normale slijtage. In geval van klachten verzoeken wij u het elektrisch gereedschap samen met het GARANTIECERTIFICAAT dat u achterin deze handleiding aantreft naar een erkend servicecentrum van HiKOKI te sturen. Indien door de gebruiker de machine wordt gedemonteerd vervalt de aanspraak op garantie.

AANTEKENING

Op grond van het voortdurende research-en ontwikkelingsprogramma van HiKOKI zijn veranderingen van de hierin genoemde technische opgaven voorbehouden.

Informatie betreffende luchtgeluid en trillingen

De gemeten waarden zijn verkregen overeenkomstig EN60745 en voldoen aan de eisen van ISO 4871.

C6SS

Gemeten (A-weighted) geluidsniveau:	106 dB(A)
Gemeten (A-weighted) geluidsdrukkniveau:	95 dB(A)
Onzekerheid KpA:	3 dB(A)

C7SS

Gemeten (A-weighted) geluidsniveau:	106 dB(A)
Gemeten (A-weighted) geluidsdrukkniveau:	95 dB(A)
Onzekerheid KpA:	3 dB(A)

Draag gehoorbescherming.

Totale trillingswaarden (triax vector som) bepaald overeenkomstig EN60745.

Spaanplaat zagen:

C6SS

Trillingsemisiewaarde $\dot{a}_h = 2,4 \text{ m/s}^2$
Onzekerheid K = $1,5 \text{ m/s}^2$

C7SS

Trillingsemisiewaarde $\dot{a}_h = 5,9 \text{ m/s}^2$
Onzekerheid K = $1,5 \text{ m/s}^2$

De totale bepaalde trillingswaarde is gemeten in overeenstemming met een standaardtestmethode en is bruikbaar om meerdere gereedschappen met elkaar te vergelijken.

U kunt dit ook als beoordeling vooraf aan de blootstelling gebruiken.

WAARSCHUWING

- De trillingsemisiewaarde tijdens het feitelijke gebruik van het elektrisch gereedschap kan afwijken van de opgegeven totale waarde afhankelijk van de manieren waarop het gereedschap wordt gebruikt.
- Neem kennis van de veiligheidsmaatregelen voor de bescherming van de gebruiker die gebaseerd zijn op een schatting van blootstelling onder feitelijke gebruiksomstandigheden (rekening houdend met alle onderdelen van de gebruikscyclus, zoals de tijd dat het gereedschap is uitgeschakeld en wanneer dit onbelast draait inclusief de triggertijd).

ADVERTENCIAS DE SEGURIDAD GENERAL DE LA HERRAMIENTA ELÉCTRICA

⚠ ADVERTENCIA

Lea todas las instrucciones y advertencias de seguridad. Si no se siguen las advertencias e instrucciones, podría producirse una descarga eléctrica, un incendio y/o daños graves.

Guarde todas las advertencias e instrucciones para futura referencia.

El término "herramienta eléctrica" en las advertencias hace referencia a la herramienta eléctrica que funciona con la red de suministro (con cable) o a la herramienta eléctrica que funciona con pilas (sin cable).

1) Seguridad del área de trabajo

- Mantenga la zona de trabajo limpia y bien iluminada.**
Las zonas desordenadas u oscuras pueden provocar accidentes.
- No utilice las herramientas eléctricas en entornos explosivos como, por ejemplo, en presencia de líquidos inflamables, gases o polvo.**
Las herramientas eléctricas crean chispas que pueden inflamar el polvo o los humos.
- Mantenga a los niños y transeúntes alejados cuando utilice una herramienta eléctrica.**
Las distracciones pueden hacer que pierda el control.

2) Seguridad eléctrica

- Los enchufes de las herramientas eléctricas tienen que ser adecuados a la toma de corriente.**
No modifique el enchufe.
No utilice enchufes adaptadores con herramientas eléctricas conectadas a tierra.
Si no se modifican los enchufes y se utilizan tomas de corriente adecuadas se reducirá el riesgo de descarga eléctrica.
- Evite el contacto corporal con superficies conectadas a tierra como tuberías, radiadores y frigoríficos.**
Hay mayor riesgo de descarga eléctrica si su cuerpo está en contacto con el suelo.
- No exponga las herramientas eléctricas a la lluvia o a la humedad.**
La entrada de agua en una herramienta eléctrica aumentará el riesgo de descarga eléctrica.
- No utilice el cable incorrectamente. No utilice el cable para transportar, tirar de la herramienta eléctrica o desenchufarla.**
Mantenga el cable alejado del calor, del aceite, de bordes afilados o piezas móviles.
Los cables dañados o enredados aumentan el riesgo de descarga eléctrica.
- Cuando utilice una herramienta eléctrica al aire libre, utilice un cable prolongador adecuado para utilizarse al aire libre.**
La utilización de un cable adecuado para usarse al aire libre reduce el riesgo de descarga eléctrica.
- Si no se puede evitar el uso de una herramienta eléctrica en un lugar húmedo, utilice un suministro protegido mediante un dispositivo de corriente residual (RCD).**
El uso de un RCD reduce el riesgo de descarga eléctrica.

3) Seguridad personal

- Esté atento, preste atención a lo que hace y utilice el sentido común cuando utilice una herramienta eléctrica.**
No utilice una herramienta eléctrica cuando esté cansado o esté bajo la influencia de drogas, alcohol o medicación.

La distracción momentánea cuando utiliza herramientas eléctricas puede dar lugar a importantes daños personales.

- Utilice un equipo de protección. Utilice siempre una protección ocular.**

El equipo de protección como máscara para el polvo, zapatos de seguridad antideslizantes, casco o protección para oídos utilizado para condiciones adecuadas reducirá los daños personales.

- Evite un inicio involuntario. Asegúrese de que el interruptor está en "off" antes de conectar la herramienta a una fuente de alimentación y/o batería, cogérlo o transportarla.**

El transporte de herramientas eléctricas con el dedo en el interruptor o el encendido de herramientas eléctricas con el interruptor encendido puede provocar accidentes.

- Retire las llaves de ajuste antes de encender la herramienta eléctrica.**

Si se deja una llave en una pieza giratoria de la herramienta eléctrica podrían producirse daños personales.

- No se extralimite. Mantenga un equilibrio adecuado en todo momento.**

Esto permite un mayor control de la herramienta eléctrica en situaciones inesperadas.

- Vístase adecuadamente. No lleve prendas sueltas o joyas. Mantenga el pelo, la ropa y los guantes alejados de las piezas móviles.**

La ropa suelta, las joyas y el pelo largo pueden pillarse en las piezas móviles.

- Si se proporcionan dispositivos para la conexión de extracción de polvo e instalaciones de recogida, asegúrese de que están conectados y se utilizan adecuadamente.**

La utilización de un sistema de recogida de polvo puede reducir los riesgos relacionados con el polvo.

4) Utilización y mantenimiento de las herramientas eléctricas

- No fuerce la herramienta eléctrica. Utilice la herramienta eléctrica correcta para su aplicación.**

La herramienta eléctrica correcta trabajará mejor y de forma más segura si se utiliza a la velocidad para la que fue diseñada.

- No utilice la herramienta eléctrica si el interruptor no la enciende y apaga.**

Las herramientas eléctricas que no pueden controlarse con el interruptor son peligrosas y deben repararse.

- Desconecte el enchufe de la fuente eléctrica y/o la batería de la herramienta eléctrica antes de hacer ajustes, cambiar accesorios o almacenar herramientas eléctricas.**

Estas medidas de seguridad preventivas reducen el riesgo de que la herramienta eléctrica se ponga en marcha accidentalmente.

- Guarde las herramientas eléctricas que no se utilicen para que no las cojan los niños y no permita que utilicen las herramientas eléctricas personas no familiarizadas con las mismas o con estas instrucciones.**

Las herramientas eléctricas son peligrosas si son utilizadas por usuarios sin formación.

- Mantenimiento de las herramientas eléctricas. Compruebe si las piezas móviles están mal alineadas o unidas, si hay alguna pieza rota u otra condición que pudiera afectar al funcionamiento de las herramientas eléctricas.**

Si la herramienta eléctrica está dañada, llévela a reparar antes de utilizarla.

Se producen muchos accidentes por no realizar un mantenimiento correcto de las herramientas eléctricas.

- f) **Mantenga las herramientas de corte afiladas y limpias.**
Las herramientas de corte correctamente mantenidas con los bordes de corte afilados son más fáciles de controlar.
- g) **Utilice la herramienta eléctrica, los accesorios y las brocas de la herramienta, etc. de acuerdo con estas instrucciones, teniendo en cuenta las condiciones laborales y el trabajo que se va a realizar.**
La utilización de la herramienta eléctrica para operaciones diferentes a aquellas pretendidas podría dar lugar a una situación peligrosa.

5) Revisión

- a) **Lleve su herramienta a que la revise un experto cualificado que utilice sólo piezas de repuesto idénticas.**
Esto garantizará el mantenimiento de la seguridad de la herramienta eléctrica.

PRECAUCIÓN

Mantenga a los niños y a las personas enfermas alejadas. Cuando no se utilicen, las herramientas deben almacenarse fuera del alcance de los niños y de las personas enfermas.

ADVERTENCIAS DE SEGURIDAD DE LA SIERRA CIRCULAR

Procedimientos de corte

- a) **⚠ PELIGRO: Mantenga las manos alejadas del área de corte y de la hoja. Mantenga la otra mano en el mango auxiliar o en la cubierta del motor.**
Si sujeta la sierra con las dos manos, no se cortará con la hoja.
- b) **No se coloque debajo de la pieza de trabajo.**
El protector no puede protegerle de la hoja debajo de la pieza de trabajo.
- c) **Ajuste la profundidad de corte al grosor de la pieza de trabajo.**
Debajo de la pieza de trabajo sólo debe quedar visible menos de un diente completo de la hoja.
- d) **No sujete nunca la pieza que está cortando con las manos o sobre una pierna. Fije la pieza de trabajo a una plataforma estable.**
Es importante que apoye la pieza de trabajo de forma adecuada para evitar que su cuerpo quede expuesto a la sierra, que la hoja se quede atascada o que se pierda el control.
- e) **Sostenga la herramienta eléctrica únicamente por las superficies de agarre aisladas cuando realice una operación en la que la herramienta eléctrica pueda entrar en contacto con el cableado oculto o su propio cable de alimentación.**
Entrar en contacto con un cable "vivo" también provocará que las partes metálicas expuestas de la herramienta eléctrica estén "vivas" y podría originar una descarga eléctrica al operario.
- f) **Cuando realice un corte al hilo, utilice siempre un tope-guía o una guía de borde recto.**
Esto mejorará la precisión del corte y reducirá las posibilidades de que se atasque la hoja.
- g) **Utilice siempre hojas con orificios de árbol con el tamaño y la forma correctos (rombo frente a círculo).**
Las hojas que no coincidan con los componentes de montaje de la sierra no funcionarán correctamente y pueden provocar una pérdida de control.

- h) **No utilice nunca arandelas o pernos de hoja dañados o inadecuados.**

Las arandelas y los pernos de la hoja han sido diseñados especialmente para dicha hoja, con el fin de garantizar un rendimiento y seguridad óptimos.

Causas de rebote y advertencias afines

- el retroceso es una reacción repentina de la sierra cuando la hoja se engancha, se atasca o está mal alineada, lo cual provoca la pérdida de control de la sierra, que se elevará y se saldrá de la pieza de trabajo hacia el operador;
- cuando la hoja se engancha o se atasca por el cierre de la vía, la hoja se detiene y la reacción del motor hace que la unidad retroceda rápidamente hacia el operador;
- si la hoja se tuerce o pierde la alineación durante el corte, los dientes del borde posterior de la madera pueden clavarse en la superficie superior de la madera y hacer que la hoja se salga de la vía y vuelva hacia el operador.

El retroceso es el resultado de un mal uso de la sierra y/o unos procedimientos o condiciones de funcionamiento incorrectos y se puede evitar tomando las precauciones adecuadas que se indican a continuación.

- a) **Sujete la sierra firmemente con las dos manos y coloque los brazos de tal forma que resistan las fuerzas de retroceso. Coloque el cuerpo a uno de los lados de la hoja, no en línea con ésta.**
El retroceso podría hacer que la sierra salte hacia atrás, pero las fuerzas de retroceso pueden ser controladas por el operador, si se toman las precauciones adecuadas.
- b) **Cuando se atasca la hoja o se interrumpe el corte por cualquier razón, libere el interruptor de activación y mantenga la sierra sin moverla en el material hasta que ésta se detenga por completo.**

No intente extraer la sierra de la pieza de trabajo ni tire de ella hacia atrás mientras la hoja está en movimiento, ya que puede producirse un retroceso. Investigue y tome las medidas adecuadas para eliminar la causa del atascamiento de la hoja.

- c) **Cuando vuelva a poner en marcha la sierra en la pieza de trabajo, centre la hoja de la sierra en la vía y compruebe que los dientes no están enganchados en el material.**
Si la hoja de la sierra está atascada, ésta puede saltar o retroceder de la pieza de trabajo al poner en marcha la sierra.
- d) **Utilice soportes adecuados para apoyar los paneles grandes, con el fin de minimizar el riesgo de que la hoja se enganche o se produzca un retroceso.**
Los paneles grandes tienden a combarse por su propio peso. Se deben colocar soportes bajo el panel en ambos lados, cerca de la línea de corte y cerca del borde del panel.
- e) **No utilice hojas melladas o dañadas.**
Las hojas no afiladas o mal ajustadas hacen que una vía estrecha provoque una fricción excesiva, que se atasque la hoja y que se produzca un retroceso.
- f) **La profundidad de la hoja y las palancas de bloqueo del ajuste del bisel deben estar bien fijadas antes de realizar el corte.**
Si el ajuste de la hoja cambia durante el corte, se puede producir un atasco de la hoja o un retroceso.

- g) **Emplee una precaución extrema al serrar en muros existentes u otros puntos ciegos.**

La hoja que sobresale puede cortar objetos y provocar un retroceso.

Función de la protección inferior

- a) **Compruebe que el protector inferior se cierra correctamente antes de cada uso. No utilice la sierra si el protector inferior no se mueve libremente o se cierra de forma instantánea. No sujete ni ate el protector inferior en la posición de apertura.**

Si la sierra se cae de forma accidental, el protector inferior se puede doblar.

Levante el protector inferior con el mango retráctil y asegúrese de que se mueve libremente y no toca la hoja ni ninguna otra pieza, en todos los ángulos y profundidades de corte.

- b) **Compruebe el funcionamiento del resorte del protector inferior. Si el protector y el resorte no funcionan correctamente, deben ser reparados antes de usar la sierra.**

El protector inferior puede funcionar lentamente porque hay alguna pieza dañada, hay restos de pegamento o existe una acumulación de residuos.

- c) **La protección inferior puede replegarse manualmente sólo para cortes especiales tales como "cortes por penetración" y "cortes compuestos". Levante el protector inferior retrayendo el mango y libere el protector inferior en cuanto la hoja entre en contacto con el material.**

Para el resto de cortes, el protector debería funcionar automáticamente.

- d) **Compruebe siempre que el protector inferior cubre la hoja antes de colocar la sierra sobre un banco o sobre el suelo.**

El deslizamiento de la hoja sin protección puede hacer que la sierra se desplace hacia atrás y corte lo que encuentre a su paso.

Tenga en cuenta el tiempo que tarda la hoja en detenerse después de accionar el interruptor.

PRECAUCIONES AL UTILIZAR LA SIERRA CIRCULAR

1. No utilice cuchillas deformadas o rajadas.
2. No emplee cuchillas de acero de alta velocidad.
3. No emplee cuchillas que no estén de acuerdo con las características especificadas en estas instrucciones.
4. No pare las cuchillas de sierra mediante presión lateral sobre el disco.
5. Mantener siempre las cuchillas afiladas.
6. Asegúrese de que el protector inferior se mueve suavemente y sin problemas.
7. No utilice la sierra circular con el protector inferior fijo en la posición de abierto.
8. Cerciórese de que todos los mecanismos de retracción del sistema de protección funcionen correctamente.
9. Nunca accionar la sierra circular con la cuchilla vuelta hacia arriba o hacia un lado.
10. Asegurarse de que la pieza de trabajo esté libre de cuerpos extraños tales como clavos.
11. Para el modelo C6SS, las cuchillas de sierra deberán ser de 165 mm a 160 mm. Para el modelo C7SS, las cuchillas de sierra deberán ser de 190 mm a 185 mm.
12. Antes de realizar cualquier ajuste, operación de mantenimiento, o reparación, desconecte el enchufe del tomacorriente.

ESPECIFICACIONES

Modelo	C6SS		C7SS
Voltaje (por áreas)*	(110 V, 230 V) ~		
Profundidad de corte	90°	57 mm	68 mm
	45°	38 mm	46 mm
Acometida*	110 V: 1010 W, 230 V: 1050 W		
Velocidad de marcha en vacío	5500 min ⁻¹		
Peso (sin cable)	3,2 kg		3,4 kg

*Verificar indefectiblemente los datos de la placa de características de la máquina, pues varían de acuerdo al país de destino.

ACCESORIOS NORMALES

- (1) Cuchilla de sierra (montada en la herramienta) ... 1
(Diá. 165 mm C6SS)
(Diá. 190 mm C7SS)

- (2) Llave hexagonal 1

Los accesorios normales están sujetos a cambio sin previo aviso.

ACCESORIOS FACULTATIVOS (de venta por separado)

- (1) Juego colector de polvo (D)
Conecte la manguera de succión para colectar el serrín a la aspiradora (consulte la Fig. 9).
- (2) Arandela (A)
..... para 20 mm
(Diá. del orificio interior de la cuchilla de sierra)
..... para 30 mm
(Diá. del orificio interior de la cuchilla de sierra)
- (3) Guía (con perno de mariposa)

Los accesorios de facultativos están sujetos a cambio sin previo aviso.

APLICACIONES

Cortar diversos tipos de madera.

ANTES DE LA PUESTA EN MARCHA

1. Alimentación

Asegurarse de que la alimentación de red que ha de ser utilizada responda a las exigencias de corriente especificadas en la placa de características del producto.

2. Conmutador de alimentación

Asegurarse de que el conmutador de alimentación esté en la posición OFF (desconectado). Si la clavija está conectada en la caja del enchufe mientras el conmutador de alimentación esté en posición ON (conectado) las herramientas eléctricas empezarán a trabajar inmediatamente, provocando un serio accidente.

3. Cable de prolongación

Cuando está alejada el área de trabajo de la red de alimentación, usar un cable de prolongación de un grosor y potencia nominal suficiente. El cable de prolongación debe ser mantenido lo más corto posible.

4. Preparar un banco de trabajo de madera (Fig. 1)

Como la cuchilla sobresale debajo de la superficie inferior de la madera útil, situar la madera útil encima de un banco de trabajo al cortar. Si se usa un bloque cuadrado como banco de trabajo, seleccionar un fondo liso para asegurar que sea estable. Un banco de trabajo inestable tendrá como resultado una operación peligrosa.

PRECAUCIÓN

Para evitar posibles accidentes, asegurarse siempre de que la parte de la madera útil restante después de haberla cortado, quede sujetado firmemente y mantenido en su posición.

5. Cómo almacenar la llave hexagonal (Fig. 8)

La llave hexagonal utilizada para instalar y desinstalar la hoja de la sierra puede almacenarse en el asa.

AJUSTE DE LA HERRAMIENTA ANTES DE SU USO

1. Ajuste de la profundidad de corte

Puede ajustar la profundidad de corte moviendo la base tras aflojar la palanca (A) (Fig. 2).

ATENCIÓN

Es muy peligroso que la palanca (A) se quede floja. Apriétela siempre con fuerza.

2. Ajuste del ángulo de inclinación

Al aflojar el perno de mariposa, se puede inclinar la hoja de la sierra hasta un máximo de 45° contra la base (Fig. 3).

El ángulo de inclinación también se puede regular aflojando la palomilla de la escala (Fig. 3).

ATENCIÓN

Es muy peligroso que el perno de mariposa quede flojo. Apriételo siempre con fuerza.

3. Regulación de la guía (Accesorios opcional)

Se puede regular la posición de corte moviendo la guía a izquierda y derecha tras aflojar el perno de mariposa.

La guía se puede montar tanto en el lado derecho como en el izquierdo.

PROCEDIMIENTO DE CORTE

1. Coloque el cuerpo de la sierra (base) sobre la madera y alinee la línea de corte con la hoja de la sierra en la escala delantera (Fig. 4).

2. Ponga el interruptor en la posición de encendido (ON) antes de que la hoja de la sierra entre en contacto con la madera. La máquina se pone en marcha al apretar el disparador y se apaga al soltarlo.

PRECAUCIÓN

Antes de proceder a la operación de corte, verifique el material que va a cortar. Si el material que se va a cortar puede generar polvo tóxico o dañino, asegúrese de que la bolsa del polvo o el sistema de extracción de polvo apropiado está conectado a la salida de polvo correctamente.

Póngase la máscara para el polvo.

- Antes de empezar a serrar, verifique que la hoja de la sierra ha alcanzado las revoluciones de velocidad máxima.
- Si la hoja se detiene o emite un ruido extraño durante el funcionamiento, desconecte de inmediato la máquina.
- Tenga siempre cuidado de que el cable de alimentación esté alejado de la hoja de la sierra cuando ésta está en marcha.
- Es muy peligroso utilizar la sierra circular con la hoja apuntando hacia arriba o de lado. Evite estas posiciones en la medida de lo posible.
- Al cortar material, utilice siempre gafas protectoras.
- Cuando termine de trabajar, desenchufe el cable de la toma de pared.

MONTAR Y DESMONTAR LA CUCHILLA

PRECAUCIÓN

Para evitar accidentes graves asegurarse de que el conmutador está la posición OFF (desconectado) y la acometida de red también esté desconectada.

1. Desmontaje de la cuchilla

- (1) Poner el volumen de corte al máximo y situar la sierra circular como se muestra en **Fig. 5**.
- (2) Pulse la palanca de bloqueo, bloquee el eje y retire el perno hexagonal con la llave hexagonal.
- (3) Retire la hoja mientras mantiene la palanca del protector inferior totalmente introducida en la cubierta de la sierra.

2. Colocación de la cuchilla

- (1) Limpiar el polvo del husillo, perno y aandelas.
- (2) Como muestra **Fig. 6**, el lado de la arandela (A) con un control sobresaliente del mismo diámetro que el diámetro interior de la cuchilla de sierra y el lado cóncavo de arandela (B), tienen que ser montados a los lados de la cuchilla de sierra.

* La arandela (A) se suministra para 2 tipos de cuchillas de sierra de orificios interiores de 20 y 30 mm.

(Cuando compre una sierra circular, se le suministrará un tipo de arandela (A).)

En caso de que el orificio interior de su cuchilla de sierra no corresponda con el de la arandela (A), póngase en contacto con el establecimiento en el que haya adquirido la sierra circular.

- (3) Montar la cuchilla de forma que la flecha marcada quede alineada con la flecha de la cubierta.
- (4) Con los dedos, apriete el perno hexagonal que retiene la hoja lo máximo posible. A continuación, pulse la palanca de bloqueo, bloquee el eje y apriete el perno hexagonal.

PRECAUCIÓN

Después de haber instalado la cuchilla de sierra, vuelva a confirmar que la palanca de cierre esté firmemente asegurada en la posición indicada.

MANTENIMIENTO E INSPECCIÓN

1. Inspeccionar la cuchilla

Como el uso de una cuchilla desgastada disminuye la eficiencia y origina posible funcionamiento defectuoso del motor, afilar o reemplazar la cuchilla tan pronto como se note el desgaste.

2. Inspeccionar los tornillos de montaje

Regularmente inspeccionar todos los tornillos de montaje y asegurarse de que estén apretados firmemente. Si cualquier tornillo estuviera suelto, volver a apretarlo inmediatamente. El no hacer esto provocaría un riesgo serio.

3. Mantenimiento de motor

La unidad de bobinado del motor es el verdadero "corazón" de las herramientas eléctricas. Prestar el mayor cuidado a asegurarse de que el bobinado no se dañe y/o se humedezca con aceite o agua.

4. Inspección de las escobillas

Por motivos de seguridad contra descargas eléctricas, la inspección y el reemplazo de las escobillas deberán realizarse SOLAMENTE en un Centro de Servicio Autorizado de HiKOKI.

5. Reemplazo del cable de alimentación

Si es necesario sustituir el cable de alimentación, debe ser realizado por el fabricante de este agente para evitar peligros de seguridad.

6. Ajuste de la perpendicularidad entre la base y la cuchilla

El ángulo entre la cuchilla y la base, está ajustado originalmente de forma que se mantenga a 90°, pero si se pierde tal ajuste, ajustarlo de la forma siguiente:

- (1) Gire la base hacia arriba (**Fig. 7**) y afloje el perno de mariposa (**Fig. 3**).
- (2) Cuando aplique una escuadra a la base y apoyándola sobre la cuchilla, girar el tornillo sin cabeza con un destornillador (-) para despazar la base, y ajustar la base y la cuchilla de forma que queden en ángulo recto entre sí.

7. Mantenimiento del protector inferior

Para un funcionamiento seguro y adecuado, mantenga la máquina y las ranuras de ventilación siempre limpias. El protector inferior siempre deberá moverse con más libertad y retraerse automáticamente. Por lo tanto, mantenga la zona alrededor del protector inferior siempre limpia. Retire el polvo y las astillas soplando con aire comprimido o un cepillo.

8. Lista de repuestos

PRECAUCIÓN

La reparación, modificación e inspección de las herramientas eléctricas HiKOKI deben ser realizadas por un Centro de Servicio Autorizado de HiKOKI. Esta lista de repuestos será de utilidad si es presentada junto con la herramienta al Centro de Servicio Autorizado de HiKOKI, para solicitar la reparación o cualquier otro tipo de mantenimiento. En el manejo y el mantenimiento de las herramientas eléctricas, se deberán observar las normas y reglamentos vigentes en cada país.

MODIFICACIONES

HiKOKI Power Tools introduce constantemente mejoras y modificaciones para incorporar los últimos avances tecnológicos.

Por consiguiente, algunas partes pueden ser modificadas sin previo aviso.

GARANTÍA

Las herramientas motorizadas de HiKOKI incluye una garantía conforme al reglamento específico legal/nacional. Esta garantía no cubre los defectos o daños debidos al uso incorrecto, el abuso o el desgaste normal. En caso de reclamación, envíe la herramienta motorizada, sin desmontar y con el CERTIFICADO DE GARANTÍA que aparece al final de estas instrucciones de uso, al Centro de Servicio Autorizado de HiKOKI.

OBSERVACIÓN

Debido al programa continuo de investigación y desarrollo de HiKOKI estas especificaciones están sujetas a cambio sin previo aviso.

Información sobre el ruido propagado por el aire y vibración

Los valores medidos se determinaron de acuerdo con EN60745 declararon de conformidad con ISO 4871.

C6SS

Medición del nivel de potencia de sonido ponderado A:
106 dB(A)

Medición del nivel de presión de sonido ponderado A:
95 dB(A)

Duda KpA: 3 dB(A)

C7SS

Medición del nivel de potencia de sonido ponderado A:
106 dB(A)

Medición del nivel de presión de sonido ponderado A:
95 dB(A)

Duda KpA: 3 dB(A)

Utilice protectores para los oídos.

Valores totales de la vibración (suma de vectores triax.)
determinados de acuerdo con EN60745.

Cortar aglomerado:

C6SS

Valor de emisión de la vibración $a_h = 2,4 \text{ m/s}^2$

Incertidumbre K = $1,5 \text{ m/s}^2$

C7SS

Valor de emisión de la vibración $a_h = 5,9 \text{ m/s}^2$

Incertidumbre K = $1,5 \text{ m/s}^2$

El valor total de vibración declarado ha sido medido de acuerdo con un método de prueba estándar y permite comparar unas herramientas con otras.

También resulta útil para llevar a cabo evaluaciones preliminares de exposición.

ADVERTENCIA

- La emisión de vibración durante la utilización de la herramienta eléctrica puede ser diferente del valor total declarado dependiendo de las formas de utilización de la herramienta.
- Identifique las medidas seguras para proteger al operario basadas en una estimación de exposición en las condiciones reales de uso (teniendo en cuenta todas las partes del ciclo de funcionamiento como tiempos cuando la herramienta está apagada y cuando funciona lentamente además del tiempo de activación).

AVISOS GERAIS DE SEGURANÇA PARA A FERRAMENTA ELÉCTRICA

AVISO

Leia todas as instruções e avisos de segurança.

Se não seguir todas as instruções e os avisos, pode provocar um choque eléctrico, incêndio e/ou ferimentos graves.

Guarde todos os avisos e instruções para referência futura. O termo “ferramenta eléctrica” em todos os avisos refere-se à sua ferramenta ligada à corrente (com fios) ou à ferramenta eléctrica a baterias (sem fios).

1) Segurança da área de trabalho

- Mantenha a área de trabalho limpa e bem iluminada.**
As áreas escuras ou cheias de material são propícias aos acidentes.
- Não trabalhe com ferramentas eléctricas em ambientes explosivos, tais como na presença de líquidos inflamáveis, gases ou pó.**
As ferramentas eléctricas criam faíscas que podem inflamar o pó dos fumos.
- Mantenha as crianças e outras pessoas afastadas quando trabalhar com uma ferramenta eléctrica.**
As distrações podem fazer com que perca controlo.

2) Segurança eléctrica

- As fichas da ferramenta eléctrica devem corresponder às tomadas. Nunca modifique a ficha. Não utilize fichas adaptadoras com ferramentas eléctricas ligadas à terra.**
As fichas não modificadas e tomadas correspondentes reduzirão o risco de choques eléctricos.
- Evite contacto corporal com superfícies ligadas à terra, tais como tubos, radiadores, máquinas e frigoríficos.**
Existe um risco acrescido de choque eléctrico se o seu corpo estiver ligado à terra.
- Não exponha ferramentas eléctricas à chuva ou condições de humidade.**
A entrada de água numa ferramenta eléctrica aumentará o risco de choques eléctricos.
- Não abuse do fio. Nunca utilize o fio para transportar, puxar ou desligar a ferramenta eléctrica. Mantenha o fio afastado do calor, óleo, margens afiadas ou peças em movimento.**
Os fios danificados ou entrelaçados podem aumentar o risco de choques eléctricos.
- Quando trabalhar com uma ferramenta eléctrica no exterior, utilize uma extensão adequada para utilização exterior.**
A utilização de um fio adequado para utilização no exterior reduz o risco de choques eléctricos.
- Se não for possível evitar a utilização de uma máquina eléctrica num local húmido, utilize uma fonte de alimentação protegida por um dispositivo de corrente residual (RCD).**
A utilização de um RCD reduz o risco de choque eléctrico.

3) Segurança pessoal

- Mantenha-se alerta, esteja atento ao que está a fazer e utilize senso comum quando trabalhar com uma ferramenta eléctrica. Não utilize uma ferramenta eléctrica quando estiver cansado ou sob a influência de drogas, álcool ou medicamentos.**
Um momento de desatenção enquanto trabalha com ferramentas eléctricas pode resultar em ferimentos pessoais graves.

- Utilize equipamento de protecção pessoal. Utilize sempre protecção para os olhos.**
O equipamento de protecção, tal como uma máscara de pó, sapatos de segurança anti-derrapantes, chapéu rígido ou protecção auricular utilizados para condições adequadas reduzirá os ferimentos pessoais.
 - Evite ligar por acidente. Certifique-se de que o interruptor está na posição de desligado antes de ligar a fonte de alimentação e/ou bateria, levantar ou transportar a ferramenta.**
Transportar ferramentas eléctricas com o dedo no interruptor ou activar ferramentas que estão com o interruptor ligado é propício a acidentes.
 - Remova qualquer chave de parafusos ou chave-inglesa de regulação antes de ligar a ferramenta.**
Uma chave-inglesa ou de parafusos ligada à parte rotativa da ferramenta pode provocar ferimentos pessoais.
 - Não se estique. Mantenha sempre o controlo e equilíbrio adequados.**
Isto permite obter um melhor controlo da ferramenta em situações inesperadas.
 - Use vestuário adequado. Não use roupas largas ou jóias. Mantenha o cabelo, roupas e luvas afastados das peças móveis.**
As roupas largas, jóias ou cabelo comprido podem ser apanhados em peças móveis.
 - Se forem fornecidos dispositivos para a ligação de extractores de pó e dispositivos de recolha, certifique-se de que estes estão ligados e são utilizados adequadamente.**
A utilização de uma recolha de pó pode reduzir os perigos relacionados com o pó.
- #### 4) Utilização da ferramenta e manutenção
- Não force a ferramenta eléctrica. Utilize a ferramenta correcta para a sua aplicação.**
A ferramenta correcta fará o trabalho melhor e com mais segurança à velocidade para a qual foi concebida.
 - Não utilize a ferramenta eléctrica se o interruptor não a ligar ou desligar.**
Qualquer ferramenta que não possa ser controlada com o interruptor é perigosa e deve ser reparada.
 - Desligue a ficha da rede antes e/ou a bateria da ferramenta eléctrica antes de efectuar quaisquer regulações, mudar os acessórios ou guardar ferramentas eléctricas.**
Tais medidas de segurança de prevenção reduzem o risco de ligar a ferramenta eléctrica acidentalmente.
 - Guarde as ferramentas eléctricas fora do alcance de crianças e não permita que pessoas não habituadas à ferramenta eléctrica ou estas instruções trabalhem com a ferramenta.**
As ferramentas eléctricas são perigosas nas mãos de utilizadores inexperientes.
 - Efectue a manutenção de ferramentas eléctricas. Verifique a existência de desalinhamentos ou dobragens das peças móveis, quebras de peças e quaisquer outras condições que possam afectar o funcionamento das ferramentas eléctricas. Se danificada, mande reparar a ferramenta antes de utilizar.**
Muitos acidentes são causados por ferramentas com má manutenção.
 - Mantenha as ferramentas de corte afiadas e limpas.**
As ferramentas de corte com uma manutenção adequada e extremidades afiadas são menos propensas a dobrar e mais fáceis de controlar.

- g) Utilize a ferramenta eléctrica, acessórios e pontas de ferramentas, etc., de acordo com estas instruções, tomando em consideração as condições de trabalho e o trabalho a ser efectuado.

A utilização de uma ferramenta eléctrica para operações diferentes das concebidas pode resultar num mau funcionamento.

5) Manutenção

- a) Faça a manutenção da sua ferramenta eléctrica por um pessoal de reparação qualificado e utilize apenas peças de substituição idênticas.

Isto garantirá que a segurança da ferramenta eléctrica é mantida.


AVISO

Mantenha afastadas das crianças e pessoas doentes.

Quando não estiverem a ser utilizadas, as ferramentas devem ser guardadas fora do alcance de crianças e pessoas doentes.

AVISOS DE SEGURANÇA DA SERRA CIRCULAR

Procedimentos de corte

- a)  **PERIGO:** Mantenha as mãos afastadas da área de corte e da lâmina. Mantenha a outra mão na peça auxiliar ou caixa do motor.

Se ambas as mãos estiverem a segurar na serra, não serão cortadas pela lâmina.

- b) Não coloque as mãos debaixo da peça de trabalho.

A protecção não o pode proteger da lâmina se as mãos estiverem debaixo da peça de trabalho.

- c) Ajuste a profundidade de corte para a espessura da peça de trabalho.

Deve ser visível menos de um dente total dos dentes da lâmina abaixo da peça de trabalho.

- d) Nunca segure na peça a cortar com as mãos ou em cima da perna. Fixe a peça de trabalho a uma plataforma estável.

É importante suportar correctamente a peça de trabalho para minimizar a exposição do corpo, dobragem da lâmina ou perda de controlo.

- e) Apenas segure na ferramenta eléctrica através das superfícies de agarre protegidas, quando efectuar uma operação onde a ferramenta de corte pode tocar em cabos escondidos ou o seu próprio cabo.

Tocar num cabo com corrente, também fará com que as partes expostas da ferramenta fiquem com corrente e podem dar um choque eléctrico ao operador.

- f) Quando serrar ao comprido, utilize sempre uma protecção de serragem ao comprido ou um guia de margens direitas.

Isto melhora a precisão do corte e reduz a possibilidade de dobragem da lâmina.

- g) Utilize sempre lâminas com a dimensão e formato correctos (diamante versus redondo) dos orifícios de fixação.

As lâminas que não correspondam às ferramentas de montagem da serra funcionarão de forma descentrada, provocando a perda de controlo.

- h) Nunca utilize anilhas ou parafusos das lâminas incorrectos ou danificados.

As lâminas e parafusos da lâmina foram especialmente concebidos para a sua serra, para um excelente desempenho e funcionamento seguro.

Causas de recuo e avisos relacionados

- o ressalto é uma reacção súbita a uma lâmina de serra atracada, enrolada ou desalinhada, fazendo com que uma serra descontrolada se levante da peça de trabalho, na direcção do operador;
- quando a lâmina está atracada ou bastante apertada na trava, a lâmina pára e a reacção do motor faz com que a unidade salte na direcção do operador;
- se a lâmina ficar torcida ou desalinhada no corte, os dentes da margem traseira da lâmina pode enterrar-se na superfície superior da madeira, fazendo com que a lâmina saia da trava e salte na direcção do operador.

O ressalto é o resultado de um má utilização e/ou procedimentos ou condições de operação incorrectos da serra e pode ser evitado tomando as devidas precauções, tal como indicado em baixo.

- a) **Agarre bem com ambas as mãos na serra e coloque os braços para resistir às forças de ressalto. Coloque o corpo num dos lados da lâmina, mas não alinhado com a lâmina.**

O resultado pode fazer com que a lâmina salte para trás, mas as forças de ressalto podem ser controladas pelo operador, se forem tomadas as devidas precauções.

- b) **Quando a lâmina estiver a dobrar ou quando interromper o corte por alguma razão, solte o gatilho e segure na serra sem mexer até que lâmina pare completamente.**

Nunca tente remover a serra da peça de trabalho ou puxe a serra para trás até que a lâmina estiver em movimento, caso contrário pode acontecer um ressalto.

Investigue e tome medidas de correcção para eliminar a causa da dobragem da lâmina.

- c) **Quando reiniciar uma lâmina na peça de trabalho, centre a lâmina de serra na trava e verifique se os dentes da serra não estão encostados ao material. Se a lâmina de serra estiver a dobrar, pode subir ou ressaltar da peça de trabalho se a serra for reiniciada.**

- d) **Suporte os painéis de grandes dimensões para minimizar o risco da lâmina ficar atracada ou ressaltar.**

Os grandes painéis tendem dobrar sob o seu próprio peso. Os suportes devem ser colocados debaixo do painel em ambos os lados, perto da linha de corte e perto da extremidade do painel.

- e) **Não utilize lâminas rombas ou danificadas.**

As lâminas não afiadas ou incorrectamente instaladas criam uma trava estreita, causando uma fricção excessiva, dobragem da lâmina e ressalto.

- f) **A profundidade da lâmina e alavancas de bloqueio do ajuste devem estar apertadas fixas antes de efectuar o corte.**

Se a regulação da lâmina mudar durante o corte, pode provocar a dobragem e ressaltos.

- g) **Utilize um cuidado adicional quando serrar em paredes existentes ou noutras zonas sem visibilidade.**

A lâmina protuberante pode cortar objectos que provoquem ressaltos.

Função de protecção inferior

a) **Verifique se a protecção inferior está correctamente fechada antes de cada utilização. Não trabalhe com a serra se a protecção inferior não se mover livremente e fechar instantaneamente. Nunca prenda ou amarre a protecção inferior na posição aberta. Se a serra for acidentalmente deixada cair, a protecção inferior pode ficar dobrada.**

Levante a protecção inferior com a pega retráctil e certifique-se de que se move livremente e não toque na lâmina ou em qualquer outra parte, em todos os ângulos e profundidade de corte.

b) **Verifique o funcionamento da mola da protecção inferior. Se a protecção e a mola não estiverem a funcionar correctamente, devem ser reparadas antes de utilizar.**

A protecção inferior pode funcionar incorrectamente devido a peças danificadas, depósitos acumulados ou acumulação de detritos.

c) **A protecção inferior pode ser recolhida manualmente apenas para cortes especiais, tais como "cortes em profundidade" e "cortes compostos". Levante a protecção inferior retraindo a pega e logo que a lâmina entre no material, a protecção inferior deve ser libertada.**

Para outras serragens, a protecção inferior deve funcionar de forma automática.

d) **Verifique sempre se a protecção inferior está a cobrir a lâmina antes de colocar a serra no banco ou solo.**

Uma lâmina de corte ao comprido desprotegida fará com que a serra ande para trás, cortando o que estiver no seu caminho.

Verifique o tempo que demora à lâmina a parar após o gatilho ter sido libertado.

PRECAUÇÕES NO USO DA SERRA CIRCULAR

1. Não use as lâminas de serra que estejam deformadas ou quebradas.
2. Não use lâminas de serra feitas de aço rápido.
3. Não use lâminas de serra que não estejam de acordo com as características especificadas nestas instruções.
4. Não pare as lâminas de serra utilizando pressão lateral sobre o disco.
5. Mantenha sempre as lâminas bem afiadas.
6. Certifique-se de que a protecção inferior se move suave e livremente.
7. Nunca utilize uma serra circular com a protecção inferior fixa na posição aberta.
8. Certifique-se que o mecanismo de retração do sistema de guarda opera corretamente.
9. Não opere nunca a serra circular com a lâmina de serra virada para cima ou para o lado.
10. Certifique-se de que o material está livre de materiais estranhos como pregos.
11. Fara o modelo C6SS, a gama de lâminas de serra deve ser de 165 mm a 160 mm. Para o modelo C7SS, a gama de lâminas de serra deve ser de 190 mm a 185 mm.
12. Desconecte o plugue da tomada antes de realizar qualquer ajuste, conserto ou manutenção.

ESPECIFICAÇÕES

Modelo	C6SS		C7SS	
Voltagem (por áreas)*	(110 V, 230 V) ~			
Cutting Depth	90°	57 mm	68 mm	
	45°	38 mm	46 mm	
Potência de entrada*	110 V: 1010 W, 230 V: 1050 W			
Rotação sem carga	5500 min ⁻¹			
Peso (sem fio)	3,2 kg		3,4 kg	

* Não deixe de verificar a voltagem na placa identificadora constante do produto, pois ela está sujeita a mudanças conforme a área.

ACESSÓRIOS PADRÃO

- (1) Lâmina de serra (montada na ferramenta)..... 1
(Diâmetro 165 mm C6SS)
(Diâmetro 190 mm C7SS)

- (2) Chave de barra sextavada..... 1

Os acessórios-padrão estão sujeitos a mudanças sem aviso prévio.

ACESSÓRIOS OPCIONAIS (vendidos separadamente)

- (1) Conjunto de coletor de poeira (D)
Conecte a mangueira de sucção para coletar a poeira da serra com o aspirador de pó. (Veja Fig. 9).

- (2) Arruela (A)
.... para 20 mm (diâmetro do furo da lâmina de serra)
.... para 30 mm (diâmetro do furo da lâmina de serra)

- (3) Guarda (com parafuso-borboleta)

Os acessórios opcionais estão sujeitos a mudanças sem aviso prévio.

APLICAÇÕES

Cortar vários tipos de madeira

ANTES DA OPERAÇÃO

1. Fonte de energia

Certifique-se de que a fonte de energia a ser utilizada está conforme às exigências especificadas na placa identificadora do produto.

2. Interruptor

Certifique-se de que o interruptor está na posição desligada. Se o plugue estiver conectado a um receptáculo quando o interruptor estiver ligado, a ferramenta elétrica vai começar a operar imediatamente, podendo provocar um grave acidente.

3. Cabo de extensão

Quando o local de trabalho não possuir uma fonte de energia, utilize um cabo de extensão de espessura e de potência nominal suficientes. A extensão deve ser mantida tão curta quanto possível.

4. Prepare uma bancada de trabalho de madeira (Fig. 1)

Como a lâmina de serra se estende além da superfície mais baixa da madeira, coloque a madeira numa bancada de trabalho ao cortá-la. Se for utilizado um bloco quadrado como bancada de trabalho, selecione um piso nivelado para assegurar-se de que ela está adequadamente estável. Uma banca instável pode tornar a operação arriscada.

CUIDADO

Para evitar um possível acidente, assegure-se sempre de que a porção de madeira que sobra depois do corte esteja ancorada firmemente ou segura na posição.

5. Como guardar a chave de barra sextavada (Fig. 8)

A chave de barra sextavada utilizada para colocar e retirar a lâmina pode ser guardada na pega.

AJUSTAR A FERRAMENTA ANTES DE UTILIZAR

1. Ajustar a profundidade de corte

A profundidade de corte pode ser ajustada movendo a base após soltar a alavanca (A) (Fig. 2).

CUIDADO

Se esta alavanca (A) ficar solta, criará uma situação bastante perigosa. Aperte-a sempre muito bem.

2. Ajustar o ângulo de inclinação

Ao soltar a porca de orelhas na escala, a lâmina de serra pode ser inclinada para um ângulo máximo de 45° contra a base (Fig. 3).

O ângulo de inclinação pode igualmente ser regulado desapertando a porca de orelhas na escala (Fig. 3).

CUIDADO

É muito perigoso permitir que esta porca de orelhas fique desapertada. Aperte-a sempre muito bem.

3. Regular o guia (Acessório opcional)

A posição de corte pode ser regulada movendo o guia para a esquerda ou direita após desapertar o parafuso de orelhas.

O guia pode ser montado no lado esquerdo ou direito.

PROCEDIMENTOS DE CORTE

1. Coloque o corpo da serra (base) na madeira e alinhe a linha de corte com a lâmina de serra na frente da escala (Fig. 4).

2. Ligue o interruptor antes que a lâmina de serra entre em contacto com a madeira. O interruptor é LIGADO quando o gatilho é apertado e DESLIGADO quando o gatilho é solto.

CUIDADOS

Antes de efectuar uma operação de corte, verifique o material que vai cortar. Se o material a ser cortado puder gerar pós tóxicos / perigosos, certifique-se de que está ligado o saco do pó ou um sistema de extracção adequado à saída de pó.

Além disso, use a máscara de pó, se disponível.

- Antes de começar a serrar, confirme que a lâmina da serra está à velocidade máxima.
- Se a lâmina da serra parar ou fizer um ruído anormal enquanto estiver a funcionar, DESLIGUE imediatamente o interruptor.
- Tenha sempre atenção para que o fio de alimentação fique perto da lâmina da serra em funcionamento.
- Utilizar a serra circular com a lâmina da serra virada para cima ou de lado é muito perigoso. Esse tipo de utilizações pouco comuns deve ser evitada.
- Quando cortar materiais, utilize sempre óculos de protecção.
- Quando terminar o trabalho, retire a ficha da tomada.

MONTAGEM E DESMONTAGEM DA LÂMINA DE SERRA

CUIDADO

Para evitar um acidente grave, certifique-se que o interruptor está na posição desligada (OFF), e que a fonte de energia está desconectada.

1. Desmontagem da lâmina de serra

- (1) Coloque o volume de corte no máximo e a serra circular como mostra a Fig. 5.

(2) Prima a alavanca de bloqueio, bloqueie o eixo e retire o parafuso sextavado com a chave de barra sextavada.

(3) Enquanto segura na alavanca da protecção inferior para manter a protecção inferior totalmente retraída para a tampa da serra, remova a lâmina da serra.

2. Montagem da lâmina de serra

(1) Remova minuciosamente qualquer serragem que tenha se acumulado no eixo, parafusos e arruelas.

(2) Conforme mostra a Fig. 6, o lado da arruela (A) com um centro saliente do mesmo diâmetro que o diâmetro interno da lâmina de serra e o lado côncavo da arruela (B) devem ser colocados nos lados da lâmina de serra.

* A arruela (A) é fornecida para dois tipos de lâminas de serra com diâmetros do furo de 20 mm e 30 mm. (Ao comprar a Serra Circular, um tipo de arruela (A) é fornecido.)

No caso em que o diâmetro do furo de sua lâmina de serra não corresponda ao da arruela (A), contate a loja onde você adquiriu sua Serra Circular.

(3) Para garantir uma direção correta da rotação da lâmina de serra, a direção da seta na lâmina de serra deve coincidir com a direção da seta na tampa da serra.

(4) Utilizando os dedos, aperte o parafuso sextavado, prendendo a lâmina tanto quanto possível. De seguida, prima a alavanca de bloqueio, bloqueie o eixo e aperte bem o parafuso sextavado.

CUIDADO

Depois de prender a lâmina de serra, verifique novamente se a alavanca de bloqueio está bem presa na posição prescrita.

MANUTENÇÃO E INSPEÇÃO

1. Inspeção da lâmina de serra

Como o uso da lâmina de serra cega diminui a eficácia e pode causar um mau funcionamento do motor, afie ou substitua a lâmina de serra logo que notar que existe desgaste da mesma.

2. Inspeção dos parafusos de montagem

Inspeccione regularmente todos os parafusos de montagem e se certifique de que estão corretamente apertados. Se algum deles estiver frouxo, reaperte-o imediatamente. Caso isso não seja feito, pode resultar em perigo grave.

3. Manutenção do motor

A unidade de enrolamento do motor é o verdadeiro "coração" da ferramenta elétrica. Cuide bem para assegurar que o enrolamento não se danifique e/ou se molhe com óleo ou água.

4. Inspeção das escovas de carvão

Para sua segurança duradoura e proteção contra choques elétricos, a inspeção das escovas de carvão e a substituição delas nesta ferramenta deve ser feita APENAS numa Oficina Autorizada da HiKOKI.

5. Substituição do cabo de alimentação

Se for necessário substituir o cabo de alimentação, tal deve ser efectuado pelo fabricante ou por um revendedor autorizado, de forma a evitar um perigo de segurança.

6. Ajuste da base e da lâmina de serra para manter a perpendicularidade

O ângulo entre a base e a lâmina de serra foi ajustada para 90°, no entanto, se esta perpendicularidade for perdida por alguma razão, ajuste novamente da seguinte maneira:

(1) Rode a base para cima (Fig. 7) e solte o parafuso de orelhas (Fig. 3).

(2) Aplique um esquadro na base e na lâmina de serra e gire o parafuso com uma chave de fenda, mude a posição da base para produzir o ângulo reto desejado.

7. Manutenção do resguardo inferior

Para um funcionamento seguro e adequado, mantenha sempre a máquina e as ranhuras de ventilação limpas. O resguardo inferior deve ser sempre capaz de mover-se livremente e retrair automaticamente. Como tal, mantenha sempre limpa a área em torno do resguardo inferior. Remova o pó e as aparas ventilando com ar comprimido ou com uma escova.

8. Lista de peças para conserto

CUIDADO

Consertos, modificações e inspeção de Ferramentas Elétricas da HiKOKI devem ser realizados por uma Oficina Autorizada da HiKOKI.

Esta lista de peças pode ser útil se apresentada com a ferramenta na Oficina Autorizada da HiKOKI ao solicitar conserto ou manutenção.

Na operação e na manutenção das ferramentas elétricas, devem-se observar as normas de segurança e os padrões prescritos por cada país.

MODIFICAÇÃO

As Ferramentas Elétricas da HiKOKI estão sempre sendo aperfeiçoadas e modificadas para incorporar os mais recentes avanços tecnológicos.

Dessa forma, algumas peças podem mudar sem aviso prévio.

GARANTIA

Garantimos que a HiKOKI Power Tools obedece às respectivas normas específicas estatutárias/de país. Esta garantia não cobre avarias ou danos derivados de má utilização, abuso ou desgaste normal. Em caso de queixa, envie a Ferramenta, não desmontada, juntamente com o CERTIFICADO DE GARANTIA que se encontra no fundo destas instruções de utilização, para um Centro de Serviço Autorizado HiKOKI.

NOTA

Devido ao contínuo programa de pesquisa e desenvolvimento da HiKOKI, as especificações aqui contidas estão sujeitas a mudanças sem aviso prévio.

Informação a respeito de ruídos e vibração do ar

Os valores medidos foram determinados de acordo com a EN60745 e declarados em conformidade com a ISO 4871.

C6SS

Nível da potência sonora pesada A:	106 dB(A)
Nível da pressão sonora pesada A:	95 dB(A)
Incerteza KpA:	3 dB(A)

C7SS

Nível da potência sonora pesada A:	106 dB(A)
Nível da pressão sonora pesada A:	95 dB(A)
Incerteza KpA:	3 dB(A)

Use protetores de ouvido.

Os valores totais da vibração (soma do vector triax) são determinados de acordo com a norma EN60745.

Cortar aglomerado:

C6SS

Valor de emissão de vibrações $a_h = 2,4 \text{ m/s}^2$
Incerteza de K = $1,5 \text{ m/s}^2$

C7SS

Valor de emissão de vibrações $a_h = 5,9 \text{ m/s}^2$
Incerteza de K = $1,5 \text{ m/s}^2$

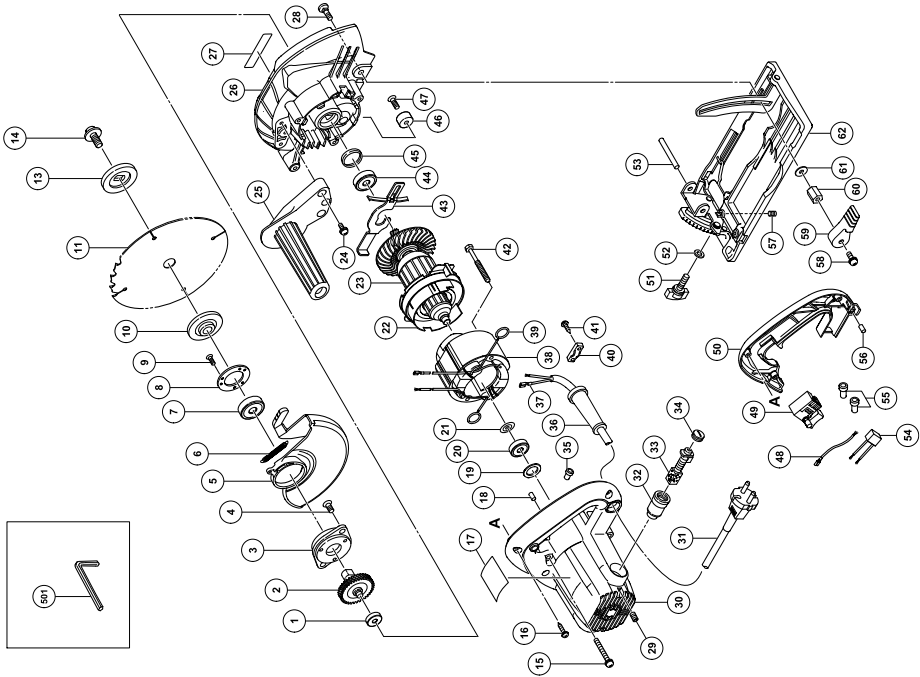
O valor total de vibração declarado foi medido de acordo com um método de teste padrão e pode ser utilizado para comparar ferramentas.

Pode também ser utilizado numa avaliação preliminar de exposição.

AVISO

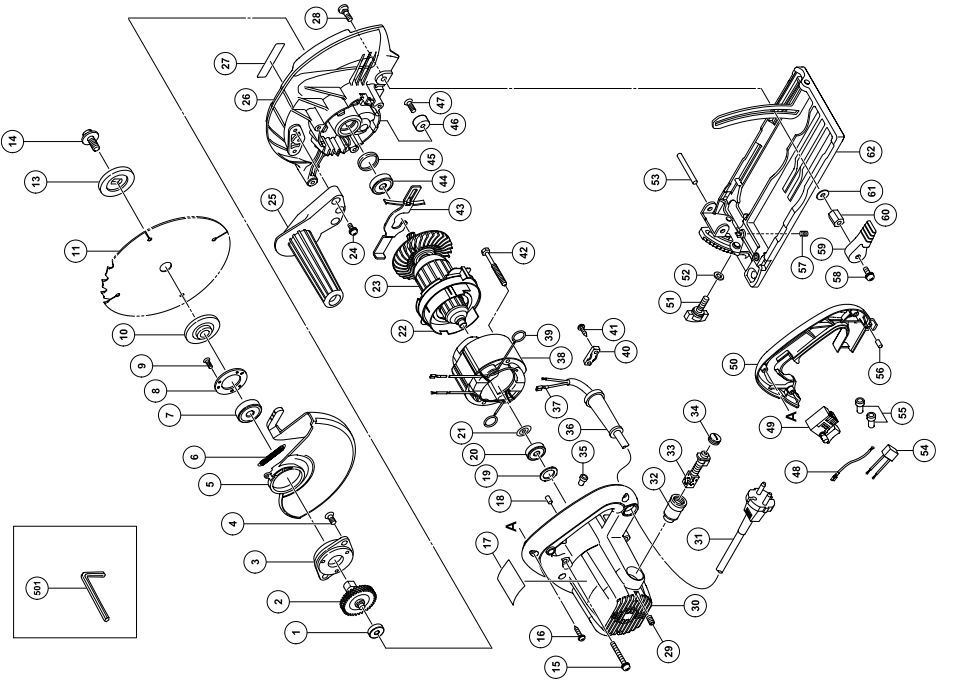
- O valor de emissão de vibrações durante a utilização da ferramenta eléctrica pode ser diferente do valor total declarado, consoante as formas de utilização da ferramenta.
- Identificar as medidas de segurança para proteger o operador, que são baseadas numa estimativa de exposição nas actuais condições de utilização (tendo em conta todas as partes do ciclo de funcionamento, tais como os tempos em que a ferramenta é desligada e quando está a funcionar ao ralenti, além do tempo de accionamento do gatilho).

C6SS



Item No.	Part Name	Q'TY
1	METAL	1
2	SPINDLE GEAR SET	1
3	BEARING HOLDER	1
4	SEAL LOCK FLAT HD. SCREW M5 x 12	2
5	LOWER GUARD	1
6	RETURN SPRING	1
7	BALL BEARING 6002VVC/M	1
8	BEARING COVER	1
9	SEAL LOCK FLAT HD. SCREW M3 x 12	3
10	WASHER(A)	1
11	CARRIDE TIPPED SAW BLADE	1
13	WASHER(B)	1
14	HEX SOCKET BOLT(W/WASHER) M5 x 45	1
15	MACHINE SCREW (W/WASHERS) M5 x 45	3
16	TAPPING SCREW (W/FLANGE) D4 x 20	3
17	NAME PLATE	1
18	BEARING LOCK	1
19	THRUST WASHER	1
20	BALL BEARING 608VVC2	1
21	WASHER(A)	1
22	FAN GUIDE	1
23	ARMATURE	1
24	MACHINE SCREW (W/WASHERS) M5 x 16	3
25	SIDE HANDLE	1
26	GEAR COVER	1
27	BRAND LABEL	1
28	BOLT (SQUARE) M6 x 20	1
29	HEX. SOCKET SET SCREW M5 x 8	2
30	HOUSING ASSY	1
31	CORD	1
32	BRUSH HOLDER	2
33	CARBON BRUSH	2
34	BRUSH CAP	2
35	CONNECTOR	1
36	CORD ARMOR	1
37	FASTON	1
38	STATOR ASSY	1
39	BRUSH TERMINAL	2
40	CORD CLIP	1

Item No.	Part Name	Q'TY
41	TAPPING SCREW (W/FLANGE) D4 x 16	2
42	HEX. HD. TAPPING SCREW D5 x 55	2
43	LOCK LEVER	1
44	BALL BEARING 6000VVC/M	1
45	RUBBER RING	1
46	CUSHION	1
47	FLAT HD. SCREW M6 x 20	1
48	INTERNAL WIRE	1
49	SWITCH(BRAKE)	1
50	HANDLE COVER	1
51	WING BOLT (A)	1
52	SUPER LOCK WASHER M6	1
53	ROLL PIN D6 x 50	1
54	NOISE SUPPRESSOR	1
55	CONNECTOR 50092	2
56	BEARING LOCK	1
57	SLOTTED HD. SET SCREW (SEAL LOCK) M6 x 8	1
58	SEAL LOCK SCREW (W/SP. WASHERS) M6 x 14	1
59	LEVER(A)	1
60	LOCK NUT	1
61	WASHER	1
62	BASE ASSY	1
501	HEX. BAR WRENCH 5MM	1



Item No.	Part Name	Q'TY
1	METAL	1
2	SPINDLE GEAR SET	1
3	BEARING HOLDER	1
4	SEAL LOCK FLAT HD. SCREW M5 x 12	2
5	LOWER GUARD	1
6	RETURN SPRING	1
7	BALL BEARING 6002VCM	1
8	BEARING COVER	1
9	SEAL LOCK FLAT HD. SCREW M3 x 12	3
10	WASHER(A)	1
11	CARRIDE TIPPED SAW BLADE	1
13	WASHER(B)	1
14	HEX SOCKET BOLT(W/WASHER) M5 x 45	1
15	MACHINE SCREW (W/WASHERS) M5 x 45	3
16	TAPPING SCREW (W/FLANGE) D4 x 20	3
17	NAME PLATE	1
18	BEARING LOCK	1
19	THRUST WASHER	1
20	BALL BEARING 608VVC2	1
21	WASHER(A)	1
22	FAN GUIDE	1
23	ARMATURE	1
24	MACHINE SCREW (W/WASHERS) M5 x 16	3
25	SIDE HANDLE	1
26	GEAR COVER	1
27	BRAND LABEL	1
28	BOLT (SQUARE) M6 x 20	1
29	HEX. SOCKET SET SCREW M5 x 8	2
30	HOUSING ASSY	1
31	CORD	1
32	BRUSH HOLDER	2
33	CARBON BRUSH	2
34	BRUSH CAP	2
35	CONNECTOR	1
36	CORD ARMOR	1
37	FASTON	1
38	STATOR ASSY	1
39	BRUSH TERMINAL	2
40	CORD CLIP	1
41	TAPPING SCREW (W/FLANGE) D4 x 16	2

Item No.	Part Name	Q'TY
42	HEX. HD. TAPPING SCREW D5 x 55	2
43	LOCK LEVER	1
44	BALL BEARING 6000VCM	1
45	RUBBER RING	1
46	CUSHION	1
47	FLAT HD. SCREW M6 x 20	1
48	INTERNAL WIRE	1
49	SWITCH(BRAKE)	1
50	HANDLE COVER	1
51	WING BOLT (A)	1
52	SUPER LOCK WASHER M6	1
53	ROLL PIN D6 x 50	1
54	NOISE SUPPRESSOR	1
55	CONNECTOR 50092	2
56	BEARING LOCK	1
57	SLOTTED HD. SET SCREW (SEAL LOCK) M6 x 8	1
58	SEAL LOCK SCREW (W/SP. WASHERS) M6 x 14	1
59	LEVER(A)	1
60	LOCK NUT	1
61	WASHER	1
62	BASE ASSY	1
501	HEX. BAR WRENCH 5MM	1

<p>English</p> <p align="center"><u>GARANTEE CERTIFICATE</u></p> <ol style="list-style-type: none"> ① Model No. ② Serial No. ③ Date of Purchase ④ Customer Name and Address ⑤ Dealer Name and Address (Please stamp dealer name and address) 	<p>Nederlands</p> <p align="center"><u>GARANTIEBEWIJS</u></p> <ol style="list-style-type: none"> ① Modelnummer ② Serienummer ③ Datum van aankoop ④ Naam en adres van de gebruiker ⑤ Naam en adres van de handelaar (Stempel a.u.b. naam en adres vande de handelaar)
<p>Deutsch</p> <p align="center"><u>GARANTIESCHEIN</u></p> <ol style="list-style-type: none"> ① Modell-Nr. ② Serien-Nr. ③ Kaufdatum ④ Name und Anschrift des Kunden ⑤ Name und Anschrift des Händlers (Bitte mit Namen und Anschrift des Handlers abstempeln) 	<p>Español</p> <p align="center"><u>CERTIFICADO DE GARANTIA</u></p> <ol style="list-style-type: none"> ① Número de modelo ② Número de serie ③ Fecha de adquisición ④ Nombre y dirección del cliente ⑤ Nombre y dirección del distribuidor (Se ruega poner el sellú del distribuidor con su nombre y dirección)
<p>Français</p> <p align="center"><u>CERTIFICAT DE GARANTIE</u></p> <ol style="list-style-type: none"> ① No. de modèle ② No. de série ③ Date d'achat ④ Nom et adresse du client ⑤ Nom et adresse du revendeur (Cachet portant le nom et l'adresse du revendeur) 	<p>Português</p> <p align="center"><u>CERTIFICADO DE GARANTIA</u></p> <ol style="list-style-type: none"> ① Número do modelo ② Número do série ③ Data de compra ④ Nome e morada do cliente ⑤ Nome e morada do distribuidor (Por favor, carimbe o nome e morada do distribuidor)
<p>Italiano</p> <p align="center"><u>CERTIFICATO DI GARANZIA</u></p> <ol style="list-style-type: none"> ① Modello ② N° di serie ③ Data di acquisto ④ Nome e indirizzo dell'acquirente ⑤ Nome e indirizzo del rivenditore (Si prega di apporre il timbro con questi dati) 	



HIKOKI

①	
②	
③	
④	
⑤	



Hikoki Power Tools Deutschland GmbH

Siemensring 34, 47877 Willich, Germany
Tel: +49 2154 49930
Fax: +49 2154 499350
URL: <http://www.hikoki-powertools.de>

Hikoki Power Tools Netherlands B.V.

Brabanthaven 11, 3433 PJ Nieuwegein, The Netherlands
Tel: +31 30 6084040
Fax: +31 30 6067266
URL: <http://www.hikoki-powertools.nl>

Hikoki Power Tools (U.K.) Ltd.

Precedent Drive, Rooksley, Milton Keynes, MK 13, 8PJ,
United Kingdom
Tel: +44 1908 660663
Fax: +44 1908 606642
URL: <http://www.hikoki-powertools.uk>

Hikoki Power Tools France S.A.S.

Parc de l'Eglantier 22, rue des Cerisiers, Lisses-C.E. 1541,
91015 EVRY CEDEX, France
Tel: +33 1 69474949
Fax: +33 1 60861416
URL: <http://www.hikoki-powertools.fr>

Hikoki Power Tools Belgium N.V./S.A.

Koningin Astridlaan 51, B-1780 Wommel, Belgium
Tel: +32 2 460 1720
Fax: +32 2 460 2542
URL: <http://www.hikoki-powertools.be>

Hikoki Power Tools Italia S.p.A


Via Piave 35, 36077, Altavilla Vicentina (VI), Italy
Tel: +39 0444 548111
Fax: +39 0444 548110
URL: <http://www.hikoki-powertools.it>

Hikoki Power Tools Ibérica, S.A.

C/ Puigbarral, 26-28, Pol. Ind. Can Petit, 08227 Terrassa
(Barcelona), Spain
Tel: +34 93 735 6722
Fax: +34 93 735 7442
URL: <http://www.hikoki-powertools.es>

Hikoki Power Tools Österreich GmbH

IndustrieZentrum NÖ –Süd, Straße 7, Obj. 58/A6 2355
Wiener Neudorf, Austria
Tel: +43 2236 64673/5
Fax: +43 2236 63373
URL: <http://www.hikoki-powertools.at>

<p>English</p> <p>EC DECLARATION OF CONFORMITY</p> <p>We declare under our sole responsibility that Circular Saw, identified by type and specific identification code *1), is in conformity with all relevant requirements of the directives *2) and standards *3). Technical file at *4) – See below. The European Standard Manager at the representative office in Europe is authorized to compile the technical file. The declaration is applicable to the product affixed CE marking.</p>	<p>Nederlands</p> <p>EC VERKLARING VAN CONFORMITEIT</p> <p>Wij verklaren onder onze eigen verantwoordelijkheid dat Cirkelzaagmachine, geïdentificeerd door het type en de specifieke identificatiecode*1), voldoet aan alle relevante bepalingen van de richtlijnen*2) en normen*3). Technische documentatie bij*4) – zie onder. De Europese Normen Manager bij de vertegenwoordiging in Europa is gemachtigd om het technisch dossier samen te stellen. Deze verklaring is van toepassing op producten voorzien van de CE-markeringen.</p>
<p>Deutsch</p> <p>EG-KONFORMITÄTSERLÄRUNG</p> <p>Wir erklären in alleiniger Verantwortung, dass die durch den Typ und den spezifischen Identifizierungscode *1) identifizierte Kreissäge allen einschlägigen Bestimmungen der Richtlinien *2) und Normen *3) entspricht. Technische Unterlagen unter *4) – Siehe unten. Die Leitung der repräsentativen Behörde für europäische Normen und Richtlinien ist berechtigt, die technischen Unterlagen zusammenzustellen. Die Erklärung gilt für die an dem Produkt angebrachte CE-Kennzeichnung.</p>	<p>Español</p> <p>DECLARACIÓN DE CONFORMIDAD DE LA CE</p> <p>Declaramos bajo nuestra única responsabilidad que la Sierra circular, identificada por tipo y por código de identificación específico *1), está en conformidad con todas las disposiciones correspondientes de las directivas *2) y de las normas *3). Documentación técnica en *4) – Ver a continuación. El Director de Normas Europeas en la oficina de representación en Europa está autorizado para elaborar el expediente técnico. La declaración se aplica al producto con marcas de la CE.</p>
<p>Français</p> <p>DECLARATION DE CONFORMITE CE</p> <p>Nous déclarons sous notre entière responsabilité que la scie circulaire, identifiée par le type et le code d'identification spécifique *1) est en conformité avec toutes les exigences applicables des directives *2) et des normes *3). Dossier technique en *4) - Voir ci-dessous. Le Gestionnaire des normes européennes du bureau de représentation en Europe est autorisé à constituer le dossier technique. Cette déclaration s'applique aux produits désignés CE.</p>	<p>Português</p> <p>DECLARAÇÃO DE CONFORMIDADE CE</p> <p>Declaramos, sob nossa única e inteira responsabilidade, que Serra Circular, identificada por tipo e código de identificação específico *1), está em conformidade com todos os requerimentos relevantes das diretivas *2) e Normas *3). Ficheiro técnico em *4) – Consulte abaixo. O Gestor de Normas Europeias no escritório de representação na Europa está autorizado a compilar o ficheiro técnico. A declaração aplica-se aos produtos com marca CE.</p>
<p>Italiano</p> <p>DICHIARAZIONE DI CONFORMITÀ CE</p> <p>Dichiariamo sotto la nostra esclusiva responsabilità che la sega circolare, identificata dal tipo e dal codice identificativo specifico *1), è conforme a tutti i requisiti delle direttive *2) e degli standard *3). Documentazione tecnica presso *4) – Vedere sotto. Il gestore delle norme europee presso l'ufficio di rappresentanza in Europa è autorizzato a compilare il fascicolo tecnico. La dichiarazione è applicabile ai prodotti cui sono applicati i marchi CE.</p>	
<p>*1) C7SS C339476R C339477M C342820R C6SS C339468R C339469M</p> <p>*2) 2006/42/EC, 2014/30/EU, 2011/65/EU</p> <p>*3) EN60745-1:2009+A11:2010 EN60745-2-5:2010 EN55014-1:2006+A1:2009+A2:2011 EN55014-2:1997+A1:2001+A2:2008 EN61000-3-2:2014 EN61000-3-3:2013</p>	
<p>*4) Representative office in Europe Hikoki Power Tools Deutschland GmbH Siemensring 34, 47877 Willich, Germany</p> <p>Head office in Japan Koki Holdings Co., Ltd. Shinagawa Intercity Tower A, 15-1, Konan 2-chome, Minato-ku, Tokyo, Japan</p> <p>29. 6. 2018 Naoto Yamashiro European Standard Manager</p> <p> 29. 6. 2018  A. Nakagawa Corporate Officer</p>	