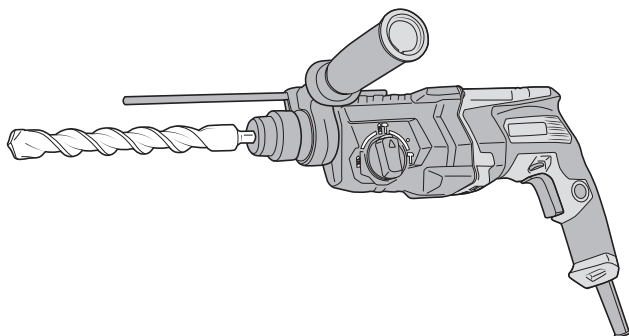

DH 24PG2 · DH 24PH2

DH 26PB2 · DH 26PC2

DH 28PBY2 · DH 28PCY2 · DH 28PMY2



DH28PCY2



(en) Handling instructions

(es) Instrucciones de manejo

(pt) Instruções de uso



GENERAL POWER TOOL SAFETY WARNINGS

WARNING

Read all safety warnings and all instructions.

Failure to follow the warnings and instructions may result in electric shock, fire and/or serious injury.

Save all warnings and instructions for future reference.

The term "power tool" in the warnings refers to your mains-operated (corded) power tool or battery-operated (cordless) power tool.

1) Work area safety

a) Keep work area clean and well lit.

Cluttered or dark areas invite accidents.

b) Do not operate power tools in explosive atmospheres, such as in the presence of flammable liquids, gases or dust.

Power tools create sparks which may ignite the dust or fumes.

c) Keep children and bystanders away while operating a power tool.

Distractions can cause you to lose control.

2) Electrical safety

a) Power tool plugs must match the outlet.

Never modify the plug in any way.

Do not use any adapter plugs with earthed (grounded) power tools.

Unmodified plugs and matching outlets will reduce risk of electric shock.

b) Avoid body contact with earthed or grounded surfaces, such as pipes, radiators, ranges and refrigerators.

There is an increased risk of electric shock if your body is earthed or grounded.

c) Do not expose power tools to rain or wet conditions.

Water entering a power tool will increase the risk of electric shock.

d) Do not abuse the cord. Never use the cord for carrying, pulling or unplugging the power tool. Keep cord away from heat, oil, sharp edges or moving parts.

Damaged or entangled cords increase the risk of electric shock.

e) When operating a power tool outdoors, use an extension cord suitable for outdoor use.

Use of a cord suitable for outdoor use reduces the risk of electric shock.

f) If operating a power tool in a damp location is unavoidable, use a residual current device (RCD) protected supply.

Use of an RCD reduces the risk of electric shock.

3) Personal safety

a) Stay alert, watch what you are doing and use common sense when operating a power tool.

Do not use a power tool while you are tired or under the influence of drugs, alcohol or medication.

A moment of inattention while operating power tools may result in serious personal injury.

b) Use personal protective equipment. Always wear eye protection.

Protective equipment such as dust mask, non-skid safety shoes, hard hat, or hearing protection used for appropriate conditions will reduce personal injuries.

c) Prevent unintentional starting. Ensure the switch is in the off position before connecting to power source and/or battery pack, picking up or carrying the tool.

Carrying power tools with your finger on the switch or energising power tools that have the switch on invites accidents.

d) Remove any adjusting key or wrench before turning the power tool on.

A wrench or a key left attached to a rotating part of the power tool may result in personal injury.

e) Do not overreach. Keep proper footing and balance at all times.

This enables better control of the power tool in unexpected situations.

f) Dress properly. Do not wear loose clothing or jewellery. Keep your hair, clothing and gloves away from moving parts.

Loose clothes, jewellery or long hair can be caught in moving parts.

g) If devices are provided for the connection of dust extraction and collection facilities, ensure these are connected and properly used.

Use of dust collection can reduce dust-related hazards.

4) Power tool use and care

a) Do not force the power tool. Use the correct power tool for your application.

The correct power tool will do the job better and safer at the rate for which it was designed.

b) Do not use the power tool if the switch does not turn it on and off.

Any power tool that cannot be controlled with the switch is dangerous and must be repaired.

c) Disconnect the plug from the power source and/or the battery pack from the power tool before making any adjustments, changing accessories, or storing power tools.

Such preventive safety measures reduce the risk of starting the power tool accidentally.

d) Store idle power tools out of the reach of children and do not allow persons unfamiliar with the power tool or these instructions to operate the power tool.

Power tools are dangerous in the hands of untrained users.

e) Maintain power tools. Check for misalignment or binding of moving parts, breakage of parts and any other condition that may affect the power tool's operation.

If damaged, have the power tool repaired before use.

Many accidents are caused by poorly maintained power tools.

f) Keep cutting tools sharp and clean.

Properly maintained cutting tools with sharp cutting edges are less likely to bind and are easier to control.

g) Use the power tool, accessories and tool bits etc. in accordance with these instructions, taking into account the working conditions and the work to be performed.

Use of the power tool for operations different from those intended could result in a hazardous situation.

5) Service

a) Have your power tool serviced by a qualified repair person using only identical replacement parts.

This will ensure that the safety of the power tool is maintained.

PRECAUTION

Keep children and infirm persons away.

When not in use, tools should be stored out of reach of children and infirm persons.

ROTARY HAMMER SAFETY WARNINGS

- 1. Wear ear protectors**
Exposure to noise can cause hearing loss.
- 2. Use auxiliary handle(s), if supplied with the tool.**
Loss of control can cause personal injury.
- 3. Hold power tool by insulated gripping surfaces, when performing an operation where the cutting accessory may contact hidden wiring or its own cord.**
Cutting accessory contacting a "live" wire may make exposed metal parts of the power tool "live" and could give the operator an electric shock.

- Drill bits may snap off while withdrawing the rotary hammer from the drilled hole. For withdrawing, it is important to use a pushing motion.
 - Do not attempt to drill anchor holes or holes in concrete with the machine set in the rotation only function.
 - Do not attempt to use the rotary hammer in the rotation and hammering function with the drill chuck and chuck adapter attached. This would seriously shorten the service life of every component of the machine.
- 12. Hammering only**
DH28PMY2 only: Using drill bit holder (standard accessories)




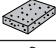









ADDITIONAL SAFETY WARNINGS

1. Ensure that the power source to be utilized conforms to the power requirements specified on the product nameplate.
2. Ensure that the power switch is in the OFF position. If the plug is connected to a receptacle while the power switch is in the ON position, the power tool will start operating immediately, which could cause a serious accident.
3. When the work area is removed from the power source, use an extension cord of sufficient thickness and rated capacity. The extension cord should be kept as short as practicable.
4. Do not touch the bit during or immediately after operation. The bit becomes very hot during operation and could cause serious burns.
5. Before starting to break, chip or drill into a wall, floor or ceiling, thoroughly confirm that such items as electric cables or conduits are not buried inside.
6. Always hold the body handle and side handle of the power tool firmly. Otherwise the counterforce produced may result in inaccurate and even dangerous operation.
7. Wear a dust mask
Do not inhale the harmful dusts generated in drilling or chiseling operation. The dust can endanger the health of yourself and bystanders.
8. Mounting the tool
 - To prevent accidents, make sure to turn the switch off and disconnect the plug from the receptacle.
 - When using tools such as bull points, drill bits, etc., make sure to use the genuine parts designated by our company.
 - Clean the shank portion of the tool.
 - Check the latching by pulling on the tool.
9. To prevent accidents, make sure to turn the switch off and disconnect the plug from the receptacle when the drill bits and other various parts are installed or removed. The power switch should also be turned off during a work break and after work.
10. Rotation + hammering
DH28PMY2 only: Using drill bit holder (standard accessories)
When the drill bit touches construction iron bar, the bit will stop immediately and the rotary hammer will react to revolve. Therefore firmly tighten the side handle.
11. Rotation only
To drill wood or metal material using the drill chuck and chuck adapter (optional accessories).
DH28PMY2 only: Using drill chuck holder (standard accessories)
 - Application of force more than necessary will not only expedite the work, but will deteriorate the tip edge of the drill bit and reduce the service life of the rotary hammer in addition.

SYMBOLS

WARNING

The following show symbols used for the machine. Be sure that you understand their meaning before use.

	DH24PG2 / DH24PH2 / DH26PB2 / DH26PC2 / DH28PBY2 / DH28PCY2 / DH28PMY2: Rotary Hammer
	To reduce the risk of injury, user must read instruction manual.
V	Rated voltage (Ensure that the power source to be utilized conforms to the power requirements specified on the product nameplate.)
P	Power Input
n_0	No-load speed
Bpm	Full-load impact rate
ϕ_{max}	Drilling diameter, max.
	Weight
	Concrete
	Steel
	Wood
	Rotation and hammering function
	Rotation only function
	Hammering only function
	Switching ON
	Switching OFF
	Disconnect mains plug from electrical outlet
	Class II tool


STANDARD ACCESSORIES

In addition to the main unit (1 unit), the package contains the accessories listed in the below.


- Plastic case 1
- Side handle 1
- Depth gauge 1
- Drill chuck holder (DH28PMY2 only) 1

Standard accessories are subject to change without notice.


APPLICATIONS

Rotation and hammering function 

- Drilling anchor holes
- Drilling holes in concrete
- Drilling holes in tile

Rotation only function 

- Drilling in steel or wood (with optional accessories)
- Tightening machine screws, wood screws (with optional accessories)

Hammering only function 

- (DH24PH2, DH26PC2, DH28PCY2, DH28PMY2)
- Light-duty chiselling of concrete, groove digging and edging.

SPECIFICATIONS


The specifications of this machine are listed in the Table on page 13.

NOTE

Due to metabo HPT's continuing program of research and development, the specifications herein are subject to change without prior notice.

MOUNTING AND OPERATION

Action	Figure	Page
Inserting SDS-plus tools	1	14
Removing SDS-plus tools	2	14
Selecting rotation direction	3	14
Selecting the operating mode	4	14
Adjusting the drilling depth	5	14
Changing the chisel position	6	14
Removing the quick release chuck (DH28PMY2)*1	7	15
Inserting the quick release chuck (DH28PMY2)	8	15
Inserting round shank applications tools (DH28PMY2)	9	15
Switching on and off and setting the speed	10	15
Locking-on the On / Off switch	11	15
Releasing the On / Off switch	12	15
Selecting accessories*2	-	16, 17

*1 If it is hard to pull out the drill chuck holder or the drill bit holder, align the change lever with the  mark and turn the lock grip.

*2 For detailed information regarding each tool, contact a metabo HPT authorized service center.

LUBRICATION

This Rotary Hammer is of full air-tight construction to protect against dust and to prevent lubricant leakage.

Therefore, this Rotary Hammer can be used without lubrication for long periods. Replace the grease whenever you change the carbon brush to maintain the service life.

Further use of the rotary hammer with lock off grease will cause the machine to seize up reduce the service life.

CAUTION

A special grease is used with this machine, therefore, the normal performance of the machine may be badly affected by use of other grease. Please be sure to let one of our service agents undertake replacement of the grease.

MAINTENANCE AND INSPECTION

1. Inspecting the tools

Since use of a dull tool will cause motor malfunctioning and degraded efficiency, replace the tool with new ones or resharpen them without delay when abrasion is noted.

2. Inspecting the mounting screws

Regularly inspect all mounting screws and ensure that they are properly tightened. Should any of the screws be loose, retighten them immediately. Failure to do so could result in serious hazard.

3. Maintenance of the motor

The motor unit winding is the very "heart" of the power tool.

Exercise due care to ensure the winding does not become damaged and/or wet with oil or water.

4. Inspecting the carbon brushes

For your continued safety and electrical shock protection, carbon brush inspection and replacement on this machine should ONLY be performed by a metabo HPT Authorized Service Center.

5. Replacing supply cord

If the replacement of the supply cord is necessary, this has to be done by the manufacturer of this agent in order to avoid a safety hazard.

CAUTION

In the operation and maintenance of power tools, the safety regulations and standards prescribed in each country must be observed.

NOTE

Due to metabo HPT's continuing program of research and development, the specifications herein are subject to change without prior notice.

ADVERTENCIAS GENERALES DE SEGURIDAD PARA HERRAMIENTAS ELÉCTRICAS

⚠ ADVERTENCIA

Lea todas las instrucciones y advertencias de seguridad.

Si no se siguen las advertencias e instrucciones, podría producirse una descarga eléctrica, un incendio o daños graves.

Guarde todas las advertencias e instrucciones para futura referencia.

El término "herramienta eléctrica" en las advertencias hace referencia a la herramienta eléctrica que funciona con la red de suministro (con cable) o a la herramienta eléctrica que funciona con pilas (sin cable).

1) Seguridad del área de trabajo

- Mantenga la zona de trabajo limpia y bien iluminada.**
Las zonas desordenadas u oscuras pueden provocar accidentes.
- No utilice las herramientas eléctricas en entornos explosivos como, por ejemplo, en presencia de líquidos inflamables, gases o polvo.**
Las herramientas eléctricas crean chispas que pueden inflamar el polvo o los gases.
- Mantenga a los niños y transeúntes alejados cuando utilice una herramienta eléctrica.**
Las distracciones pueden hacer que pierda el control.

2) Seguridad eléctrica

- Los enchufes de las herramientas eléctricas tienen que ser adecuados a la toma de corriente. No modifique el enchufe.**
No utilice enchufes adaptadores con herramientas eléctricas conectadas a tierra.
Si no se modifican los enchufes y se utilizan tomas de corriente adecuadas se reducirá el riesgo de descarga eléctrica.
- Evite el contacto corporal con superficies conectadas a tierra como tuberías, radiadores y frigoríficos.**
Hay mayor riesgo de descarga eléctrica si su cuerpo está en contacto con el suelo.
- No exponga las herramientas eléctricas a la lluvia o a la humedad.**
La entrada de agua en una herramienta eléctrica aumentará el riesgo de descarga eléctrica.
- No utilice el cable incorrectamente. No utilice el cable para transportar, tirar de la herramienta eléctrica o desenchufarla.**
Mantenga el cable alejado del calor, del aceite, de bordes afilados o piezas móviles.
Los cables dañados o enredados aumentan el riesgo de descarga eléctrica.
- Cuando utilice una herramienta eléctrica al aire libre, utilice un cable prolongador adecuado para utilizarse al aire libre.**
La utilización de un cable adecuado para usarse al aire libre reduce el riesgo de descarga eléctrica.
- Si no se puede evitar el uso de una herramienta eléctrica en un lugar húmedo, utilice un suministro protegido mediante un dispositivo de corriente residual (RCD).**
El uso de un RCD reduce el riesgo de descarga eléctrica.

3) Seguridad personal

- Esté atento, preste atención a lo que hace y utilice el sentido común cuando utilice una herramienta eléctrica.**
No utilice una herramienta eléctrica cuando esté cansado o esté bajo la influencia de drogas, alcohol o medicación.
Una distracción momentánea mientras utiliza herramientas eléctricas puede dar lugar a lesiones personales graves.
- Utilice un equipo de protección personal. Utilice siempre una protección ocular.**
El equipo de protección como máscara para el polvo, zapatos de seguridad antideslizantes, casco o protección auditiva utilizado en las situaciones adecuadas reducirá las lesiones personales.
- Evite un inicio involuntario. Asegúrese de que el interruptor está en "off" antes de conectar la herramienta a una fuente de alimentación o batería, cogerla o transportarla.**
El transporte de herramientas eléctricas con el dedo en el interruptor o el encendido de herramientas eléctricas con el interruptor encendido puede provocar accidentes.
- Retire las llaves de ajuste antes de encender la herramienta eléctrica.**
Si se deja una llave en una pieza giratoria de la herramienta eléctrica podrían producirse lesiones personales.
- No se extralimite. Mantenga un equilibrio adecuado en todo momento.**
Esto permite un mayor control de la herramienta eléctrica en situaciones inesperadas.
- Utilice una vestimenta adecuada. No lleve prendas sueltas o joyas. Mantenga el pelo, la ropa y los guantes alejados de las piezas móviles.**
La ropa suelta, las joyas y el pelo largo pueden quedar atrapados en las piezas móviles.
- Si se proporcionan dispositivos para la conexión de extracción de polvo e instalaciones de recogida, asegúrese de que estén conectados y se utilicen adecuadamente.**
La utilización de un sistema de recogida de polvo puede reducir los riesgos relacionados con el polvo.

4) Utilización y mantenimiento de las herramientas eléctricas

- No fuerce la herramienta eléctrica. Utilice la herramienta eléctrica correcta para su aplicación.**
La herramienta eléctrica correcta trabajará mejor y de forma más segura si se utiliza a la velocidad para la que fue diseñada.
- No utilice la herramienta eléctrica si el interruptor no la enciende y apaga.**
Las herramientas eléctricas que no pueden controlarse con el interruptor son peligrosas y deben repararse.
- Desconecte el enchufe de la fuente eléctrica o la batería de la herramienta eléctrica antes de hacer ajustes, cambiar accesorios o almacenar herramientas eléctricas.**
Estas medidas de seguridad preventivas reducen el riesgo de que la herramienta eléctrica se ponga en marcha accidentalmente.
- Guarde las herramientas eléctricas que no se utilicen fuera del alcance de los niños, y no permita que utilicen las herramientas eléctricas personas no familiarizadas con las mismas o con estas instrucciones.**
Las herramientas eléctricas son peligrosas si son utilizadas por usuarios sin formación.

- e) **Realice el mantenimiento de las herramientas eléctricas. Compruebe si las piezas móviles están mal alineadas o unidas, si hay alguna pieza rota u otra condición que pudiera afectar al funcionamiento de las herramientas eléctricas. Si la herramienta eléctrica está dañada, llévela a reparar antes de utilizarla.**

Se producen muchos accidentes por no realizar un mantenimiento correcto de las herramientas eléctricas.

- f) **Mantenga las herramientas de corte afiladas y limpias.**

Las herramientas de corte correctamente mantenidas con los bordes de corte afilados son más fáciles de controlar, y existe menor riesgo de que se atasquen.

- g) **Utilice la herramienta eléctrica, los accesorios y las brocas de la herramienta, etc. de acuerdo con estas instrucciones, teniendo en cuenta las condiciones de trabajo y el trabajo que se va a realizar.**

La utilización de la herramienta eléctrica para operaciones diferentes a las previstas podría dar lugar a una situación peligrosa.

5) Revisión

- a) **Solicite a un experto cualificado que revise la herramienta eléctrica y que utilice solo piezas de repuesto idénticas.**

Esto garantizará el mantenimiento de la seguridad de la herramienta eléctrica.

PRECAUCIÓN

Mantenga a los niños y a las personas enfermas alejadas.

Cuando no se utilicen, las herramientas deben almacenarse fuera del alcance de los niños y de las personas enfermas.

ADVERTENCIAS DE SEGURIDAD DEL MARTILLO PERFORADOR

1. Utilice protección auditiva

La exposición al ruido puede provocar pérdidas de capacidad auditiva.

2. Utilice los mangos auxiliares en el caso de que se proporcionen con la herramienta.

La pérdida de control puede causar lesiones personales.

3. Sostenga la herramienta eléctrica por las superficies de agarre aisladas cuando realice una operación en la que el accesorio de corte pueda entrar en contacto con el cableado oculto o con su propio cable.

Si el accesorio de corte entra en contacto con un cable con corriente, las partes metálicas expuestas de la herramienta eléctrica pueden transmitir esa corriente y provocar una descarga eléctrica al operador.

ADVERTENCIAS DE SEGURIDAD ADICIONALES

1. Asegúrese de que la fuente de corriente que va a utilizarse sea conforme a los requisitos de alimentación especificados en la placa de características del producto.

2. Asegúrese de que el interruptor principal se encuentre en la posición OFF.

Si el enchufe se conecta a una toma de corriente mientras el interruptor principal se encuentra en la posición ON, la herramienta eléctrica se pondrá en marcha inmediatamente y podría provocar un accidente grave.

3. Si la zona en la que va a efectuarse el trabajo se encuentra alejada de la fuente de corriente, utilice un cable prolongador del grosor suficiente y que tenga la capacidad nominal necesaria. El cable prolongador debe ser lo más corto posible.

4. No toque la barrena mientras la unidad esté en funcionamiento ni inmediatamente después de detenerla. La barrena alcanza temperaturas muy elevadas durante su funcionamiento, y podría provocar quemaduras graves.

5. Antes de comenzar a demoler, perforar o picar en una pared, asegúrese de que no haya elementos tales como conductos o cables eléctricos en el interior del muro.

6. Sostenga siempre con firmeza el mango y el asidero lateral de la herramienta eléctrica. De lo contrario, la fuerza de retroceso generada podría provocar un funcionamiento impreciso e incluso peligroso.

7. Utilice una máscara contra el polvo

No inhale los polvos perjudiciales generados durante las operaciones de taladrado o cincelado. El polvo puede poner en peligro su salud y la de las personas que se encuentran cerca.

8. Montaje de la herramienta

- Con el fin de evitar accidentes, asegúrese de colocar el interruptor en la posición "off" y de desenchufar el enchufe de la toma de corriente.

- Cuando utilice herramientas tales como cinceles de punta, brocas, etc., asegúrese de utilizar las piezas originales designadas por nuestra compañía.

- Limpie la parte del vástago de la herramienta.

- Compruebe el pestillo tirando de la herramienta.

9. Con el fin de evitar accidentes, asegúrese de colocar el interruptor en la posición "off" y de desenchufar el enchufe de la toma de corriente cuando se colocan o extraen las brocas y otras piezas. El interruptor de alimentación también debería apagarse durante los descansos en el trabajo y después de realizar el trabajo.

10. Rotación + martilleo

Sólo DH28PMY2: Utilizando el soporte de la broca (accesorios estándar)

Cuando la broca toque una barra de hierro de construcción, la broca se detendrá inmediatamente y el martillo perforador tenderá a girar. Apriete firmemente, por lo tanto, el asidero lateral.

11. Sólo rotación

Para taladrar madera o metal utilizando el portabrocas y el adaptador del portabrocas (accesorios opcionales).

Sólo DH28PMY2: Utilizando el soporte del portabrocas (accesorios estándar)

- La aplicación de fuerza excesiva no sólo acelerará el trabajo, sino que además deteriorará el filo de la punta de la broca y reducirá la vida útil del martillo perforador.

- Las brocas pueden salirse al retirar el martillo perforador del orificio perforado. Para retirar, es importante utilizar un movimiento de empuje.

- No intente taladrar orificios de anclaje ni orificios en hormigón con la máquina colocada en la función de sólo rotación.

- No intente usar el martillo perforador en la función de rotación y martilleo con el portabrocas y el adaptador del portabrocas instalados. Esto reducirá considerablemente la vida útil de cada componente de la máquina.






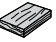







12. Sólo martilleo

Sólo DH28PMY2: Utilizando el soporte de la broca (accesorios estándar)

SÍMBOLOS

ADVERTENCIA


A continuación se muestran los símbolos usados para la máquina. Asegúrese de comprender su significado antes del uso.

	DH24PG2 / DH24PH2 / DH26PB2 / DH26PC2 / DH28PBY2 / DH28PCY2 / DH28PMY2: Martillo perforador
	Para reducir el riesgo de lesiones, el usuario deberá leer el manual de instrucciones.
V	Voltaje nominal Asegúrese de comprobar que la fuente de alimentación que se utiliza se ajusta a los requisitos de alimentación especificados en la placa de características del producto.
P	Entrada de alimentación
n_0	Velocidad de no carga
Bpm	Velocidad de impacto a carga plena
ϕ máx	Diámetro de taladrado, máx.
	Peso
	Hormigón
	Acero
	Madera
	Función de rotación y martilleo
	Función de sólo rotación
	Función de sólo martilleo
	Encendido
	Apagado
	Desconecte el enchufe de la toma de corriente
	Herramienta de clase II


APLICACIÓN

Función de rotación y martilleo 

- Taladrado de orificios de anclaje
- Taladrado de orificios en hormigón
- Taladrado de orificios en baldosa

Función de sólo rotación 

- Taladrado en acero o madera (con accesorios opcionales)
- Apriete de tornillos de máquinas, tornillos para madera (con accesorios opcionales)

Función de sólo martilleo 

(DH24PH2, DH26PC2, DH28PCY2, DH28PMY2)

- Cincelado ligero de hormigón, excavación de ranura y ribeteado.

ESPECIFICACIONES


Las especificaciones de esta máquina aparecen indicadas en la tabla de la página 13.

NOTA

Debido al programa continuo de investigación y desarrollo de metabo HPT estas especificaciones están sujetas a cambio sin previo aviso.

MONTAJE Y FUNCIONAMIENTO

Acción	Figura	Página
Introducción de las herramientas SDS-plus	1	14
Extracción de herramientas SDS-plus	2	14
Selección de dirección de rotación	3	14
Selección del modo de funcionamiento	4	14
Ajuste de la profundidad de taladrado	5	14
Cambio de la posición del cincel	6	14
Extracción del portabrocas de liberación rápida (DH28PMY2)*1	7	15
Inserción del portabrocas de liberación rápida (DH28PMY2)	8	15
Inserción de herramientas para aplicaciones de vástago redondo (DH28PMY2)	9	15
Activando y desactivando y configuración de la velocidad	10	15
Bloquear el interruptor de activación / desactivación	11	15
Liberar el interruptor de activación / desactivación	12	15
Selección de los accesorios*2	-	16, 17

*1 Si es difícil sacar el portabrocas o el soporte de la broca, alinee la palanca de cambio con la marca  y gire el bloqueo.

*2 Para información detallada concerniente a cada herramienta, póngase en contacto con un Centro de servicio autorizado de metabo HPT.

ACCESORIOS ESTÁNDAR

Además de la unidad principal (1 unidad), el paquete contiene los accesorios indicados a continuación.

- Caja plástica 1
- Asidero lateral 1
- Calibre de profundidad 1
- Soporte del portabrocas (sólo DH28PMY2) 1

Los accesorios estándar están sujetos a cambio sin previo aviso.

LUBRICACIÓN

Este martillo giratorio presenta una construcción totalmente estanca diseñada para protegerlo del polvo y evitar las fugas de lubricante.

Esto hace que pueda utilizar el martillo giratorio sin necesidad de lubricarlo durante periodos de tiempo prolongados. Sustituya la grasa cada vez que se cambie la escobilla de carbón para mantener la vida útil.

Seguir usando el martillo perforador con grasa antigua hará que la máquina se atasque y se reduzca su vida útil.

PRECAUCIÓN

Se utiliza una grasa especial con esta máquina. Por lo tanto, el funcionamiento normal de la máquina podría quedar negativamente afectado por el uso de otro tipo de grasa. Asegúrese de hacer que alguno de sus agentes de servicio se haga cargo de la sustitución de la grasa.

MANTENIMIENTO E INSPECCIÓN

1. Inspección de las herramientas

Ya que el uso de una herramienta embotada provocará un fallo en el funcionamiento del motor y degradará su eficiencia, debe sustituir la herramienta por otras nuevas o afilarla de nuevo cuanto antes si nota abrasión.

2. Inspección de los tornillos de montaje

Inspeccione con regularidad todos los tornillos de montaje y asegúrese de que estén bien apretados. Si hay algún tornillo suelto, apriételo inmediatamente. No hacerlo podría provocar riesgos graves.

3. Mantenimiento del motor

El bobinado de la unidad del motor es el auténtico corazón de la herramienta eléctrica.

Tenga el máximo cuidado posible para asegurarse de que el bobinado no se dañe ni se moja con aceite o agua.

4. Inspección de las escobillas de carbón

Por motivos de seguridad contra descargas eléctricas, la inspección y el cambio de las escobillas en esta máquina deberán realizarse SOLAMENTE en un Centro de servicio autorizado de metabo HPT.

5. Sustitución del cable de alimentación

Si es necesario sustituir el cable de alimentación, el cambio debe realizarlo el fabricante de este agente, para evitar riesgos para la seguridad.

PRECAUCIÓN

En la operación y el mantenimiento de las herramientas eléctricas, las normas y reglamentos vigentes en cada país deben tenerse en cuenta.

NOTA

Debido al programa continuo de investigación y desarrollo de metabo HPT estas especificaciones están sujetas a cambio sin previo aviso.

ADVERTÊNCIAS GERAIS DE SEGURANÇA PARA A FERRAMENTA ELÉTRICA

⚠️ ADVERTÊNCIA

Leia todas as instruções e advertências de segurança. Deixar de seguir as instruções e as advertências pode provocar um choque elétrico, incêndio e/ou ferimentos graves.

Guarde todas as advertências e instruções para futuras consultas.

O termo "ferramenta elétrica" em todas as advertências refere-se à sua ferramenta conectada à corrente (com um cabo de alimentação) ou à ferramenta elétrica alimentada por bateria (sem um cabo de alimentação).

1) Segurança da área de trabalho

- Mantenha a área de trabalho limpa e bem iluminada.
As áreas escuras ou cheias de material são propícias a acidentes.
- Não trabalhe com ferramentas elétricas em ambientes explosivos, tais como na presença de líquidos inflamáveis, gases ou pó.
As ferramentas elétricas criam faíscas que podem inflamar os gases ou pó.
- Mantenha as crianças e outras pessoas afastadas quando trabalhar com uma ferramenta elétrica.
As distrações podem fazer com que perca controle.

2) Segurança elétrica

- Os plugues da ferramenta elétrica devem corresponder às tomadas.
Nunca modifique o plugue.
Não use plugues de adaptação com ferramentas elétricas conectadas à terra.
Os plugues inalterados e tomadas correspondentes reduzirão o risco de choques elétricos.
- Evite o contato corporal com superfícies conectadas à terra, tais como canos, radiadores, fogões e geladeiras.
Existe um risco maior de choque elétrico se o seu corpo estiver conectado à terra.
- Não exponha ferramentas elétricas à chuva ou condições de umidade.
A entrada de água numa ferramenta elétrica aumentará o risco de choques elétricos.
- Não abuse do cabo de alimentação. Nunca use o cabo para transportar, puxar ou desligar a ferramenta elétrica.
Mantenha o cabo afastado do calor, óleo, bordas agudas ou peças móveis.
Fios danificados ou entrelaçados podem aumentar o risco de choques elétricos.
- Quando trabalhar com uma ferramenta elétrica ao ar livre, use uma extensão adequada para uso em exteriores.
O uso de um cabo adequado para uso ao ar livre reduz o risco de choques elétricos.
- Se não for possível evitar o uso de uma máquina elétrica num local úmido, use uma fonte de alimentação protegida por um dispositivo de corrente residual (RCD).
O uso de um RCD reduz o risco de choques elétricos.

3) Segurança pessoal

- Mantenha-se alerta, esteja atento ao que estiver fazendo e use o bom senso ao trabalhar com uma ferramenta elétrica.
Não use uma ferramenta elétrica quando estiver cansado ou sob a influência de drogas, álcool ou medicamentos.
Um momento de desatenção enquanto trabalha com ferramentas elétricas pode resultar em ferimentos pessoais graves.
 - Use o equipamento de proteção pessoal. Use sempre protetores para os olhos.
O equipamento de proteção, tal como uma máscara de pó, sapatos de segurança antiderrapantes, capacete ou protetores auditivos usados para condições adequadas reduzirá os ferimentos pessoais.
 - Evite ligar a ferramenta acidentalmente. Certifique-se de que o interruptor esteja na posição de desligado antes de conectar a fonte de alimentação e/ou bateria, levantar ou transportar a ferramenta.
Transportar ferramentas elétricas com o dedo no interruptor ou ativar ferramentas que estão com o interruptor ligado é perigoso e aumenta a probabilidade de acidentes.
 - Remova qualquer chave de parafusos ou chave de aperto antes de ligar a ferramenta.
Uma chave de aperto ou de parafusos instalada na parte rotativa da ferramenta pode provocar ferimentos pessoais.
 - Não se estique. Mantenha sempre o controle e equilíbrio adequados.
Isso lhe permite obter um melhor controle da ferramenta em situações inesperadas.
 - Vista-se adequadamente. Não use roupas largas ou jóias. Mantenha o cabelo e luvas afastados das peças móveis.
As roupas largas, jóias ou cabelo comprido podem ser apanhados em peças móveis.
 - Se forem fornecidos componentes para a conexão de dispositivos de extração e coleta de pó, certifique-se de que os mesmos sejam conectados e usados adequadamente.
O uso de um coletor de pó pode reduzir os perigos relacionados com o pó.
- #### 4) Uso da ferramenta e manutenção
- Não force a ferramenta elétrica. Use a ferramenta correta para a sua aplicação.
A ferramenta correta fará o trabalho melhor e com mais segurança à velocidade para a qual foi concebida.
 - Não use a ferramenta elétrica se o interruptor não a ligar ou desligar.
Qualquer ferramenta que não possa ser controlada pelo interruptor é perigosa e deve ser reparada.
 - Desligue o plugue da rede elétrica e/ou a bateria da ferramenta elétrica antes de efetuar quaisquer ajustes, mudar os acessórios ou guardar a ferramenta elétrica.
Tais medidas preventivas de segurança reduzem o risco de ligar a ferramenta elétrica acidentalmente.
 - Guarde as ferramentas elétricas fora do alcance de crianças e não permita que pessoas não habituadas à ferramenta elétrica ou estas instruções trabalhem com a ferramenta.
As ferramentas elétricas são perigosas nas mãos de usuários inexperientes.

Português

- e) Efetue a manutenção de ferramentas elétricas. Verifique a existência de desalinhamentos ou curvaturas das peças móveis, rupturas de peças e quaisquer outras condições que possam afetar o funcionamento das ferramentas elétricas.
Se encontrar qualquer dano, solicite o conserto da ferramenta antes de usá-la.
Muitos acidentes são causados por ferramentas com manutenção inadequada.
- f) Mantenha as ferramentas de corte afiadas e limpas.
As ferramentas de corte com uma manutenção adequada e extremidades afiadas são menos propensas a curvar-se e mais fáceis de controlar.
- g) Use a ferramenta elétrica, acessórios e brocas de ferramentas, etc., de acordo com estas instruções, levando em consideração as condições de trabalho e o trabalho a ser efetuado.
O uso de uma ferramenta elétrica para operações diferentes das concebidas pode resultar num mau funcionamento.
- 5) **Manutenção**
- a) A manutenção da sua ferramenta elétrica deve ser realizada por pessoal técnico qualificado e somente peças idênticas devem ser usadas para substituição de peças defeituosas.
Isso garantirá que a segurança da ferramenta elétrica seja mantida.

PRECAUÇÃO

Mantenha afastadas das crianças e pessoas debilitadas.

Quando não estiverem sendo usadas, as ferramentas devem ser guardadas fora do alcance de crianças e pessoas debilitadas.

ADVERTÊNCIAS DE SEGURANÇA DO MARTELO PERFURADOR

1. Use protetores para ouvidos.
A exposição ao ruído pode provocar a perda de audição.
 2. Use o(s) cabo(s) auxiliar(es), se fornecido(s) com a ferramenta.
A perda de controle pode causar ferimentos.
 3. Segure a ferramenta elétrica pelas superfícies de empunhadura isoladas, ao realizar uma operação na qual o acessório de corte possa entrar em contato com uma fiação elétrica oculta ou seu próprio cabo elétrico.
O contato do acessório de corte com um fio elétrico “vivo” pode passar a corrente para as partes metálicas “vivas” da ferramenta elétrica e causar um choque elétrico no operador.
3. Quando o local de trabalho não possuir uma fonte de energia, utilize um cabo de extensão de espessura e de potência nominal suficientes. A extensão deve ser mantida o mais curta possível.
 4. Não toque na broca durante ou logo após a operação. A broca fica muito quente durante a operação e pode causar sérias queimaduras.
 5. Antes de começar a quebrar, cortar ou furar paredes, assoalhos ou tetos, verifique cuidadosamente se não existem cabos elétricos ou encanamentos embutidos nesses locais.
 6. Sempre segure os cabos do corpo e lateral da ferramenta elétrica com firmeza. Se isso não for feito, a força contrária produzida pode resultar numa operação imprecisa e até mesmo perigosa.
 7. Use uma máscara de poeira
Não inale as poeiras nocivas produzidas nos trabalhos de perfuração e cinzelamento. As poeiras podem pôr em perigo a sua saúde e a dos que o rodeiam.
 8. Montagem da ferramenta.
 - Para evitar acidentes, certifique-se de desligar a ferramenta e de desconectar o plugue da tomada.
 - Ao usar ferramentas como pontas rompedoras, brocas, etc., certifique-se de usar peças genuínas indicadas por nossa empresa.
 - Limpe a parte do encabudo da ferramenta.
 - Verifique o travamento puxando pela ferramenta.
 9. Para evitar acidentes, certifique-se de desligar o interruptor ou de desconectar o plugue da tomada elétrica ao instalar ou remover brocas ou outras peças. O interruptor de alimentação também deve ser desligado durante um intervalo de trabalho e após o trabalho.
 10. Rotação + martelamento
Apenas DH28PMY2: Usar o suporte de broca (acessórios padrões)
Quando a broca tocar na barra de ferro de construção, a broca parará imediatamente e o martelo rotativo irá reagir com um movimento de rotação. Assim sendo, aperte firmemente o cabo lateral.
 11. Apenas rotação
Para perfurar material de madeira ou metal usando o mandril de perfuração e o adaptador do mandril (acessórios opcionais).
Apenas DH28PMY2: Usar o suporte de mandril de perfuração (acessórios padrões)
 - A aplicação de força superior ao necessário não agilizará o trabalho e, pior ainda, deteriorará a extremidade da ponta da broca e reduzirá a vida útil do martelo rotativo.
 - As brocas podem quebrar enquanto retira o martelo rotativo do furo perfurado. Para retirar, é importante fazer um movimento de empurrar.
 - Não tente perfurar furos de fixação ou furos em concreto com a máquina definida para a função apenas de rotação.
 - Não tente usar o martelo rotativo na função de rotação e de martelamento com o mandril de perfuração e o adaptador do mandril montados. Isto reduziria seriamente a vida útil de todos os componentes da máquina.
 12. Apenas martelamento
Apenas DH28PMY2: Usar o suporte de broca (acessórios padrões)

ADVERTÊNCIAS DE SEGURANÇA ADICIONAIS

1. Certifique-se de que a fonte de energia que será usada satisfaça as exigências especificadas na placa de identificação do produto.
2. Certifique-se de que o interruptor de alimentação esteja na posição de desligado (OFF). Se o plugue for conectado a uma tomada elétrica com o interruptor na posição de ligado (ON), a ferramenta elétrica começará a funcionar imediatamente, podendo provocar um grave acidente.

SÍMBOLOS

ADVERTÊNCIA

Mostram-se a seguir os símbolos usados para a máquina. Certifique-se de compreender o seu significado antes de usar.

	DH24PG2 / DH24PH2 / DH26PB2 / DH26PC2 / DH28PBY2 / DH28PCY2 / DH28PMY2: Martelo perfurador
	Para reduzir o risco de lesão, o usuário deve ler o manual de instruções.
V	Voltagem nominal (Certifique-se de que a fonte de energia que será usada satisfaça as exigências especificadas na placa de identificação do produto.)
P	Potência de entrada
n_0	Velocidade sem carga
Bpm	Taxa de impacto a plena potência
ϕ_{max}	Diâmetro de perfuração, máx
	Peso
	Concreto
	Aço
	Madeira
	Função de rotação e martelamento
	Função apenas de rotação
	Função apenas de martelamento
	Ligar
	Desligar
	Desligue o plugue principal da tomada elétrica
	Ferramenta de Classe II


ACESSÓRIOS PADRÕES

Além da unidade principal (1 unidade), a embalagem contém os acessórios listados abaixo.

- Estojo de plástico..... 1
- Cabo lateral..... 1
- Calibrador de profundidade 1
- Suporte de mandril de perfuração (apenas DH28PMY2) 1

Os acessórios padrões estão sujeitos a mudanças sem aviso prévio.


APLICAÇÕES

Função de rotação e martelamento 

- Perfuração de furos de ancoragem
- Perfuração de furos em concreto
- Perfuração de furos em azulejo

Função apenas de rotação 

- Perfuração em aço ou madeira (com acessórios opcionais)
- Aperto de parafusos para metal, parafusos para madeira (com acessórios opcionais)

Função apenas de martelamento 

(DH24PH2, DH26PC2, DH28PCY2, DH28PMY2)

- Cinzelamento leve de concreto, escavação e esquadramento de ranhuras.

ESPECIFICAÇÕES


As especificações desta máquina se encontram listadas na Tabela na página 13.

NOTA

Devido ao contínuo programa de pesquisa e desenvolvimento da metabo HPT, as especificações contidas aqui estão sujeitas a modificações sem aviso prévio.

MONTAGEM E OPERAÇÃO

Ação	Figura	Página
Inserção de ferramentas SDS-plus	1	14
Remoção de ferramentas SDS-plus	2	14
Seleção da direção de rotação	3	14
Seleção do modo de funcionamento	4	14
Ajuste da profundidade de perfuração	5	14
Ajuste da posição do cinzel	6	14
Remoção do mandril de liberação rápida (DH28PMY2)*1	7	15
Inserção do mandril de liberação rápida (DH28PMY2)	8	15
Inserção de ferramentas de aplicações de encabadouro redondo (DH28PMY2)	9	15
Ligação/desligamento e definição da velocidade	10	15
Bloqueio do interruptor de Ligar (On) / Desligar (Off)	11	15
Desbloqueio do interruptor de Ligar (On) / Desligar (Off)	12	15
Seleção dos acessórios*2	-	16, 17

*1 Se for difícil puxar para fora o suporte de mandril da broca ou suporte de broca, alinhe a alavanca de mudança com a marca  e gire o punho de bloqueio.

*2 Para informações detalhadas sobre cada ferramenta, contate um Centro de Assistência Técnica Autorizada da metabo HPT.

LUBRIFICAÇÃO

Este Martelo Perfurador tem uma construção totalmente hermética para proteger a ferramenta contra poeira e prevenir o vazamento do lubrificante.

Por isso, este Martelo Perfurador pode ser usado sem lubrificação durante longos períodos. Substitua a graxa sempre que mudar a escova de carvão para manter a vida útil.

O uso posterior do martelo rotativo com a graxa de bloqueio irá fazer com que a máquina pare reduzindo a vida útil.

PRECAUÇÃO

É usada uma graxa especial para esta máquina, assim sendo, o desempenho normal da máquina pode ser afetado negativamente pelo uso de outra graxa. Por favor, permita que um dos nossos técnicos de serviço faça a substituição da graxa.

MANUTENÇÃO E INSPEÇÃO

1. Inspeção das ferramentas

Uma vez que o uso de uma ferramenta não afiada causa avarias no motor e a degradação da eficiência, substitua a ferramenta por novas ou volte a afiá-las sem demora quando for notada abrasão.

2. Inspeção dos parafusos de montagem

Inspeccione regularmente todos os parafusos de montagem e certifique-se de que estejam apertados corretamente. Se algum deles estiver frouxo, reaperte-o imediatamente. Deixar de fazer isso pode resultar em graves perigos.

3. Manutenção do motor

O enrolamento da unidade do motor é o verdadeiro “coração” da ferramenta elétrica. Tome cuidado para assegurar que o enrolamento não se danifique e/ou se molhe com óleo ou água.

4. Inspeção das escovas de carvão

Para uma proteção contínua de segurança e contra choques elétricos, a inspeção e substituição das escovas de carvão nesta ferramenta SÓ deve ser efetuada por um Centro de Assistência Autorizado da metabo HPT.

5. Substituição do cabo de alimentação












Se for necessário substituir o cabo de alimentação, isso deve ser realizado pelo fabricante ou por um revendedor autorizado, para evitar perigos de segurança.

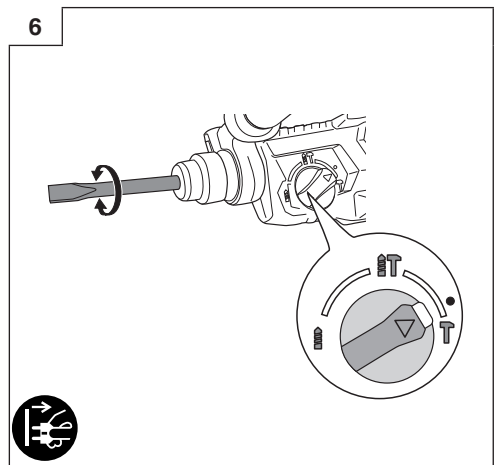
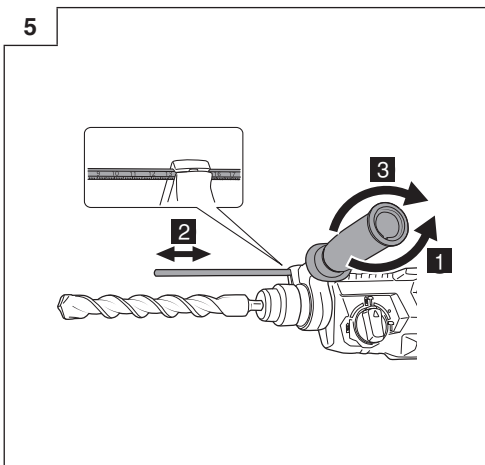
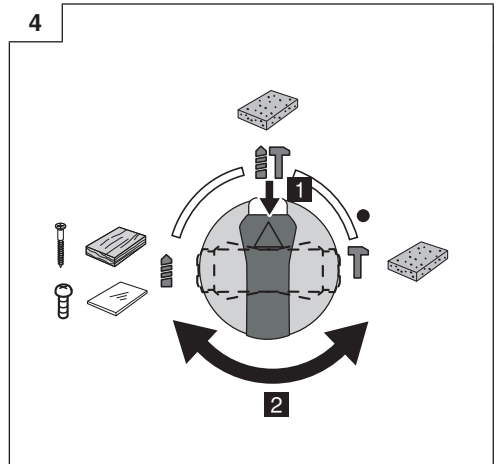
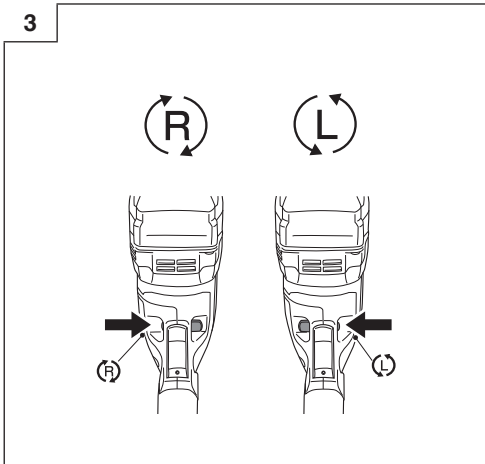
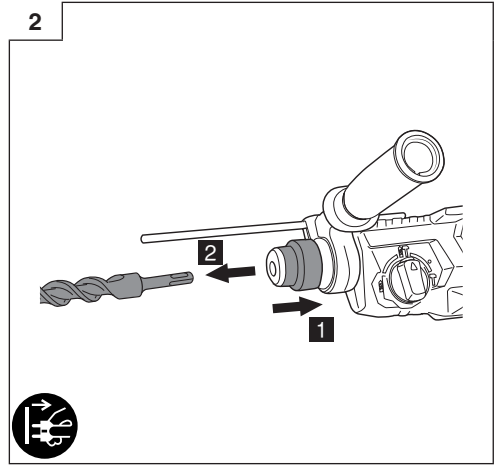
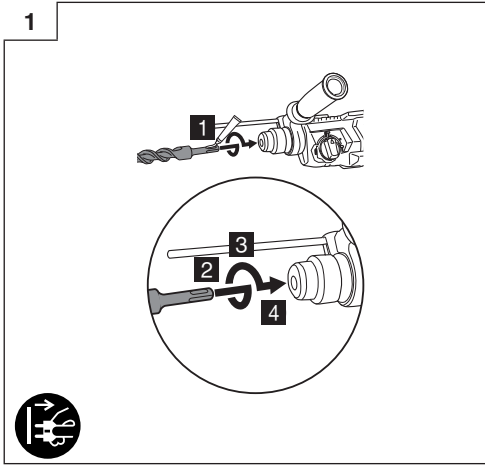
PRECAUÇÃO

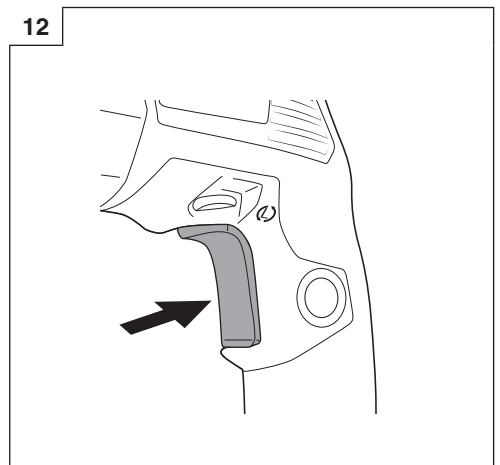
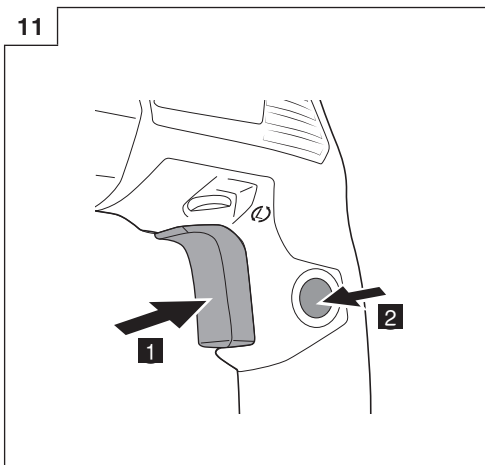
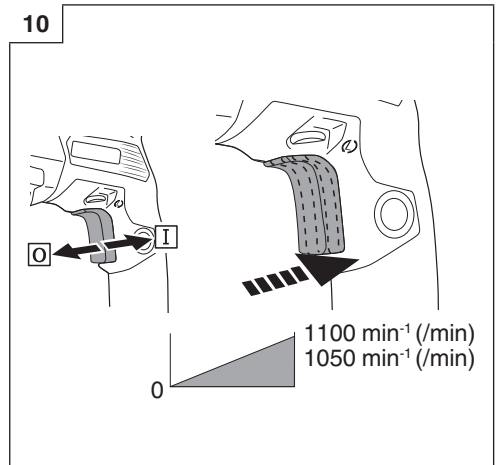
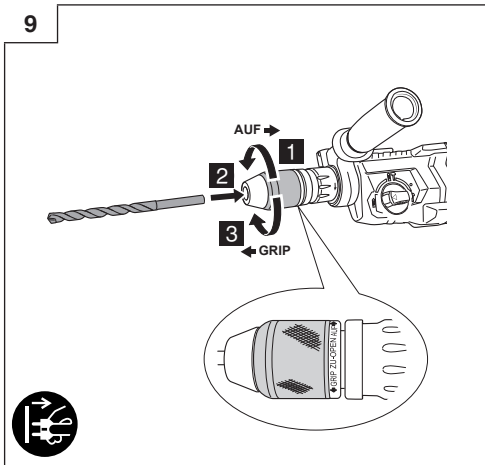
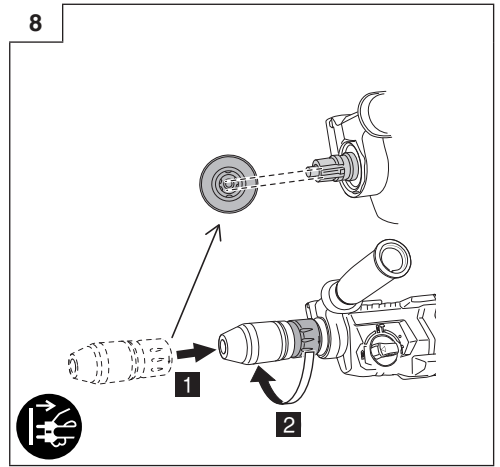
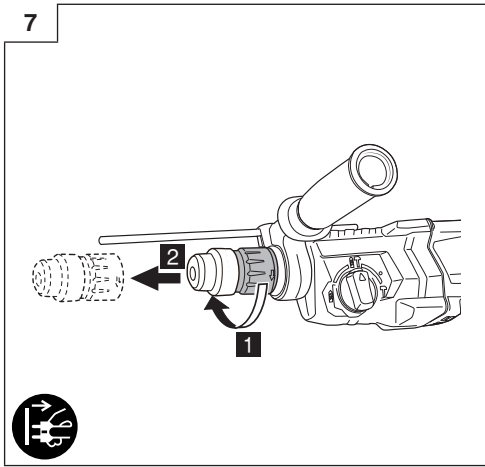
Na operação e na manutenção das ferramentas elétricas, devem-se observar as normas de segurança e os padrões prescritos por cada país.

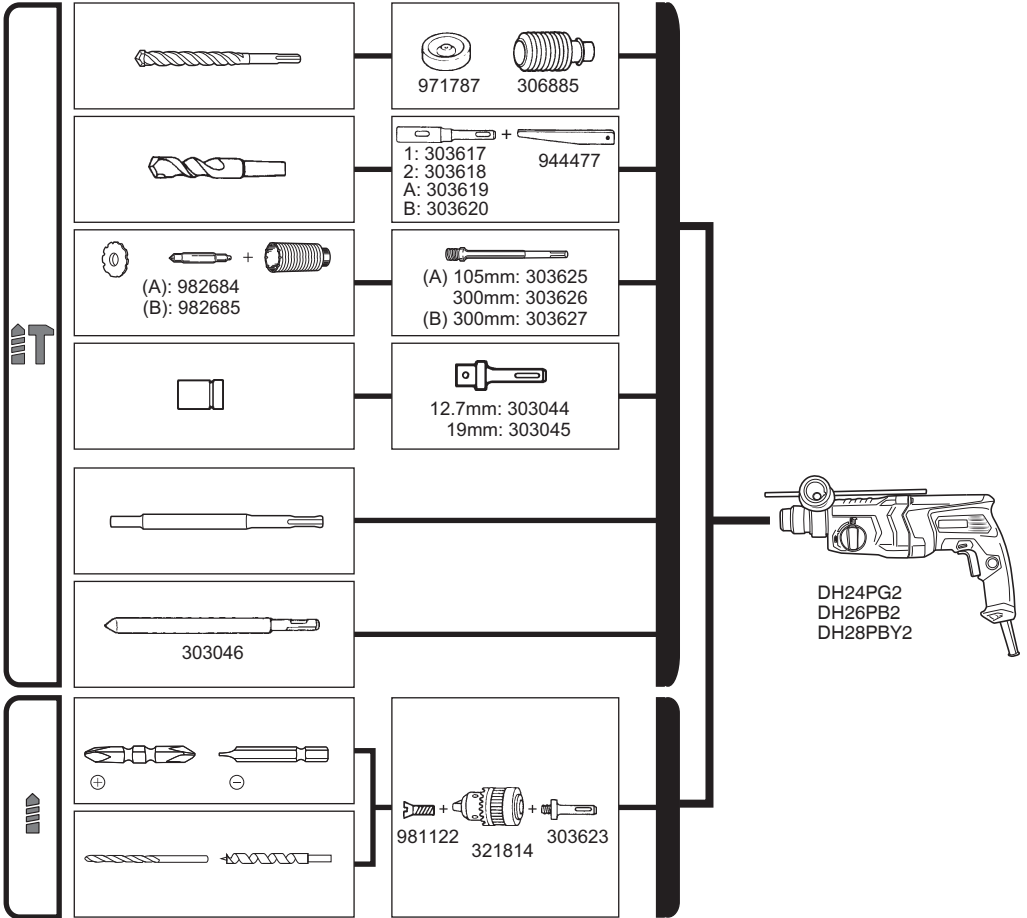
NOTA

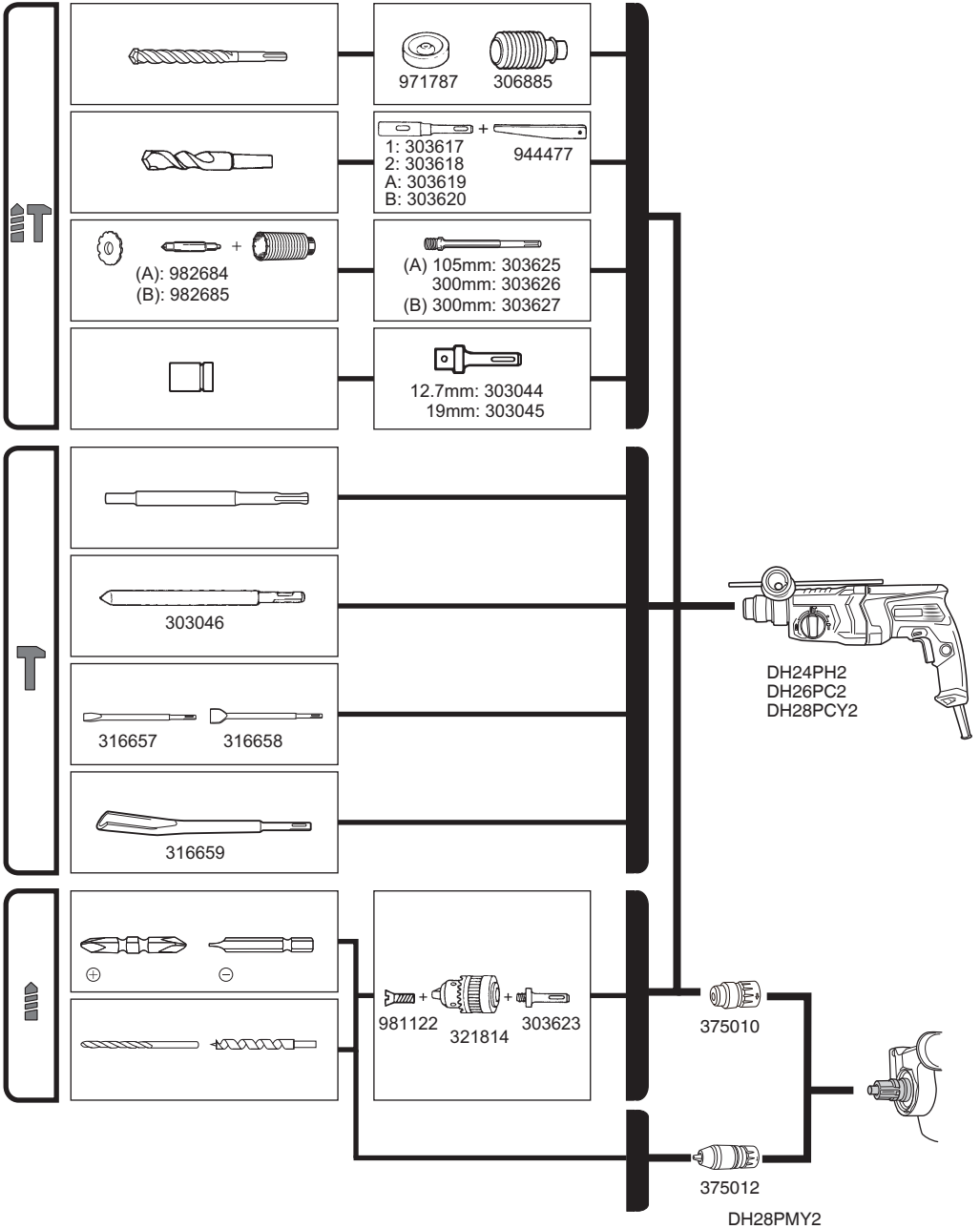
Devido ao contínuo programa de pesquisa e desenvolvimento da metabo HPT, as especificações contidas aqui estão sujeitas a modificações sem aviso prévio.

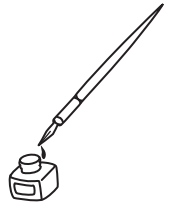
	DH24PG2 	DH24PH2 	DH26PB2 	DH26PC2 	DH28PBY2 	DH28PCY2 	DH28PMY2 
V	(120V, 220V) ~						
P	730W		830W		850W		
n_0	0 – 1050 min ⁻¹ (/min)		0 – 1100 min ⁻¹ (/min)				
Bpm	0 – 3950 min ⁻¹ (/min)		0 – 4300 min ⁻¹ (/min)				
ϕ max 	3.4 – 24 mm		3.4 – 26 mm		3.4 – 28 mm		
ϕ max 	13 mm						
ϕ max 	32 mm						
	2.8 kg				3.0 kg		3.1 kg

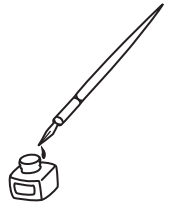












Issued by
Koki Holdings Co., Ltd.

Shinagawa Intercity Tower A, 15-1, Konan 2-chome,
Minato-ku, Tokyo 108-6020, Japan

Distribuido por
Hikoki Power Tools de Mexico S.A. de C.V.

Calle Isaac Newton No.286, 2do Piso, Col. Polanco V Sección,
Del. Miguel Hidalgo, C. P. 11560
Ciudad de México, México.