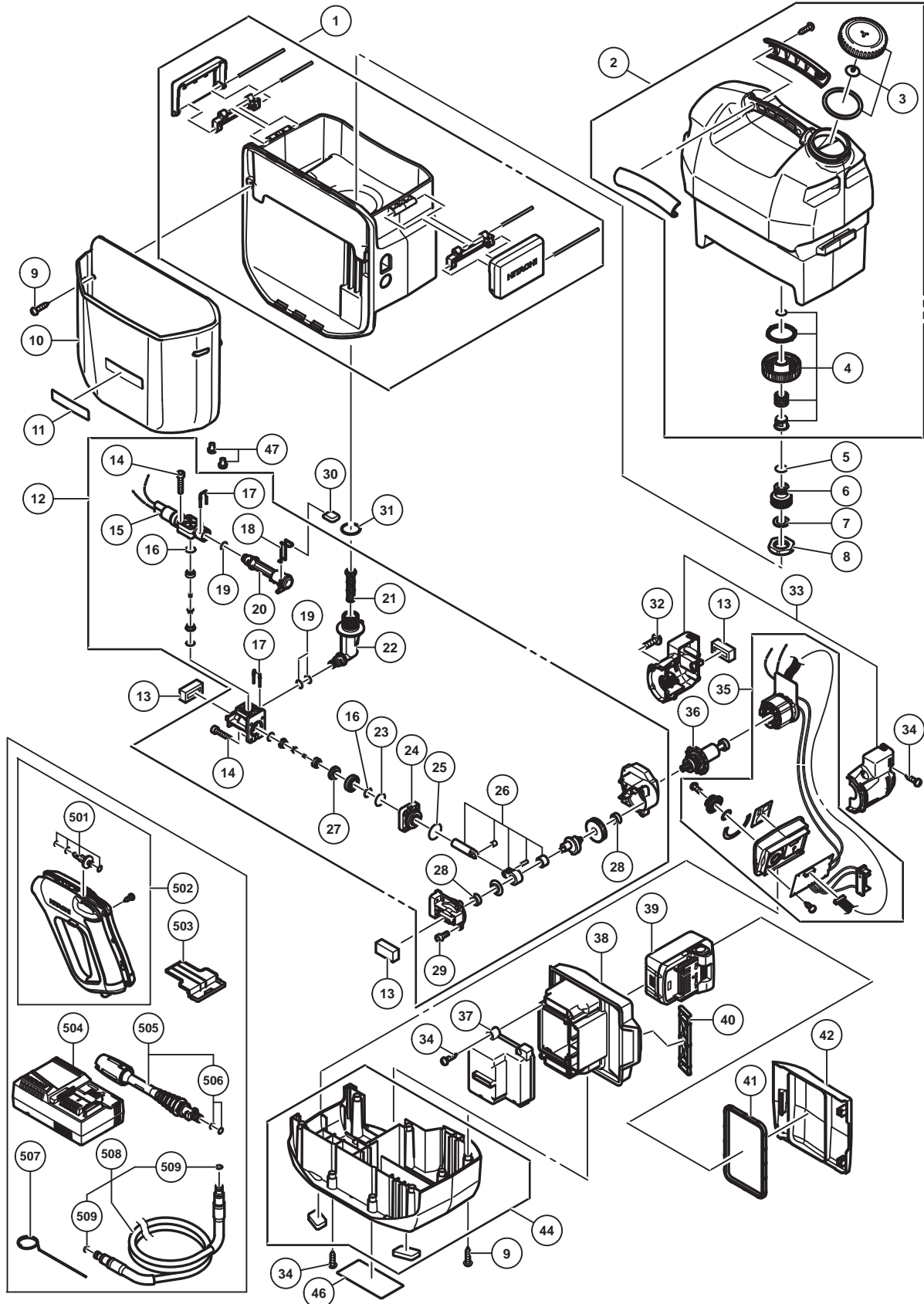


ELECTRIC TOOL PARTS LIST

CORDLESS HIGH PRESSURE WASHER 2015-8-27
Model AW 18DBL (E1)



PARTS

AW 18DBL

ITEM NO.	CODE NO.	DESCRIPTION	NO. USED	REMARKS
1	337299	HOUSING (A)	1	
2	337302	TANK ASS'Y	1	INCLUD.3,4
3	337304	CAP (B)	1	
4	337303	CAP (A)	1	
5	873570	O-RING (P-18)	1	
6	337321	COUPLING	1	
7	337322	COUPLING PACKING	1	
8	337320	COUPLING NUT	1	
9	305490	TAPPING SCREW (W/FLANGE) D4 X 30 (BLACK)	8	
10	337301	STORAGE COVER	1	
11		HITACHI LABEL	1	
12	337308	PUMP (A) ASS'Y	1	INCLUD.14-29
13	337319	CUSHION RUBBER	3	
14	887136	NYLOCK BOLT M4 X 25	8	
15	339246	PRESSURE SWITCH SET	1	
16	996407	O-RING (1AP-12)	2	
17	337317	LOCK PIN	2	
18	337318	PUSHING LEVER	1	
19	872645	O-RING (P-9)	5	
20	337315	EXTENSION	1	
21	337316	COUPLING FILTER	1	
22	337314	INLET	1	
23	876078	O-RING (S-20)	1	
24	337693	PLUNGER GUIDE	1	
25	319572	O-RING (S-25)	1	
26	337692	PLUNGER	1	
27	337313	U PACKING	1	
28	606ZZM	BALL BEARING 606VV	2	
29	949754	HEX. SOCKET HD. BOLT M4 X 16 (10 PCS.)	4	
30	337323	PUSHING BUTTON	1	
31	338446	O-RING (P-26)	1	
32	305691	MACHINE SCREW (W/WASHERS) M4 X 14 (BLACK)	4	
33	337309	MOTOR HOUSING SET	1	
34	302086	TAPPING SCREW (W/FLANGE) D4 X 20 (BLACK)	10	
35	337310	WIRING SET	1	
36	337312	ROTOR PINION SET	1	
37	337324	BATTERY COVER (A)	1	
38	337325	BATTERY COVER (B)	1	
* 39	335790	BATTERY BSL 1850 (EUROPE,AUS,NZL)	1	INCLUD.503
* 39	338891	BATTERY BSL 1860 (EUROPE,AUS,NZL)	1	INCLUD.503
40	337327	COVER LINK	1	
41	337328	COVER PACKING	1	
42	337326	BATTERY COVER (C)	1	
44	337300	HOUSING (B)	1	
46		NAME PLATE	1	
47	959140	CONNECTOR 50091 (10 PCS.)	2	

STANDARD ACCESSORIES

AW 18DBL

ITEM NO.	CODE NO.	DESCRIPTION	NO. USED	REMARKS
501	337785	TRIGGER VALVE	1	
502	337305	GUN ASS'Y (MEDIUM PRESSURE)	1	INCLUD.501
503	329897	BATTERY COVER	1	
504		CHARGER (MODEL UC 18YSL3)	1	
505	337306	LANCE ASS'Y (MEDIUM PRESSURE)	1	INCLUD.506
506	872645	O-RING (P-9)	2	
507	337690	NOZZLE CLEANER PIN	1	
508	337307	HOSE ASS'Y	1	INCLUD.509
509	984528	O-RING (P-6)	2	

OPTIONAL ACCESSORIES

ITEM NO.	CODE NO.	DESCRIPTION	NO. USED	REMARKS
601	332080	JOINT	1	
602	332081	INLET NUT	1	